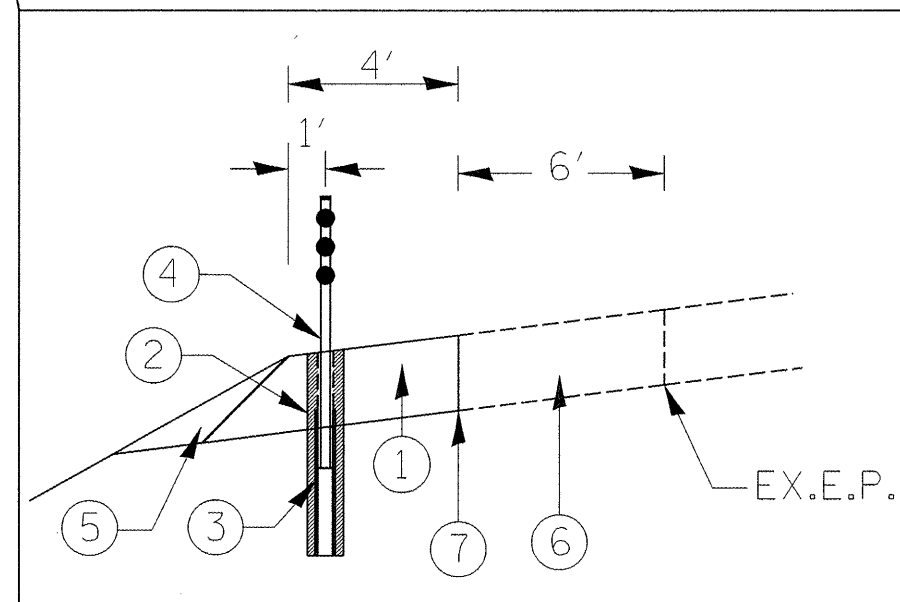


PROPOSED TYPICAL CROSS SECTION

Section A: STA. 125+60 TO STA. 134+00
 Section B: STA. 10+00 TO STA. 65+07
 STA. 139+84 TO STA. 142+05

- ① PROPOSED 10" HOT MIX ASPHALT SHOULDER
- ② PROPOSED CONCRETE FOUNDATION FOR CABLE POSTS
- ③ PROPOSED REBAR SOCKET
- ④ PROPOSED LINE POST
- ⑤ EXCAVATING AND GRADING EXISTING SHOULDER
- ⑥ EXISTING BITUMINOUS SHOULDER 6'
- ⑦ PROPOSED SAW CUT LINE



FILE NAME =	USER NAME = brucebm	DESIGNED -	REVISED -
C:\Projects\safety\74morton\cover sheet.dgn		DRAWN -	REVISED -
PLOT SCALE = 2.0690' / IN.		CHECKED -	REVISED -
PLOT DATE = 3/21/2008		DATE -	REVISED -

STATE OF ILLINOIS
 DEPARTMENT OF TRANSPORTATION

TYPICAL SECTION

SCALE: SHEET NO. OF SHEETS STA. TO STA.

F.A.I. RTE.	SECTION	COUNTY	TOTAL SHEETS	SHEET NO.
74	(90-15)J	TAZEWELL	192	6
FED. ROAD DIST. NO. ILLINOIS FED. AID PROJECT			CONTRACT NO. 68724	