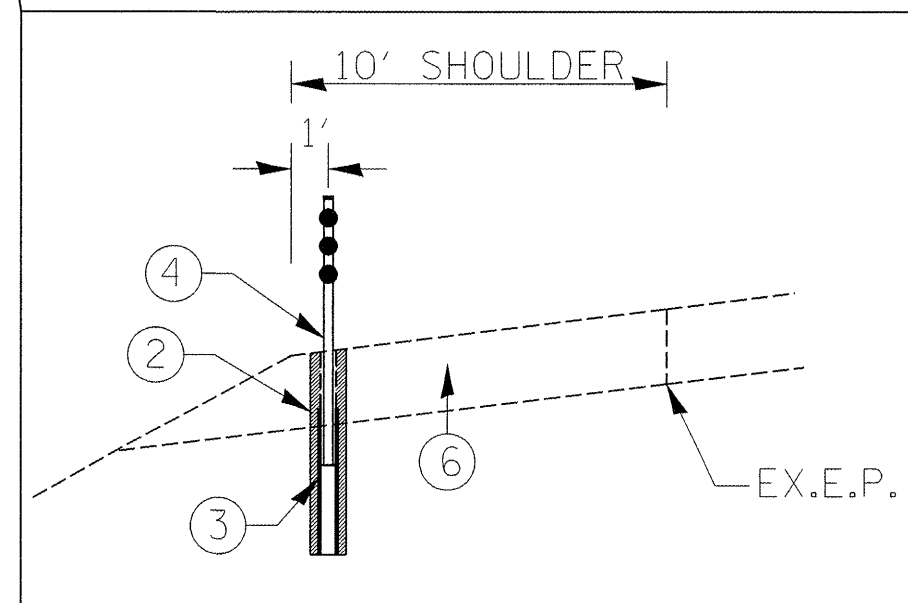


PROPOSED TYPICAL CROSS SECTION

Section A: STA. 134+00 TO STA. 189+50

- ① PROPOSED 10" HOT MIX ASPHALT SHOULDER
- ② PROPOSED CONCRETE FOUNDATION FOR CABLE POSTS
- ③ PROPOSED REBAR SOCKET
- ④ PROPOSED LINE POST
- ⑤ EXCAVATING AND GRADING EXISTING SHOULDER
- ⑥ EXISTING BITUMINOUS SHOULDER 6'
- ⑦ PROPOSED SAW CUT LINE



FILE NAME =	USER NAME = brucebm	DESIGNED -	REVISED -
C:\Projects\safety\i74mort\cover sheet.dgn		DRAWN -	REVISED -
	PLOT SCALE = 2.0000' / IN.	CHECKED -	REVISED -
	PLOT DATE = 3/21/2008	DATE -	REVISED -

**STATE OF ILLINOIS
DEPARTMENT OF TRANSPORTATION**

TYPICAL SECTION			
SCALE:	SHEET NO.	OF SHEETS	STA. TO STA.

F.A.I. RTE.	SECTION	COUNTY	TOTAL SHEETS	SHEET NO.
74	(90-15)J	TAZEWELL	192	7
FED. ROAD DIST. NO.		ILLINOIS FED. AID PROJECT		
		CONTRACT NO. 68724		