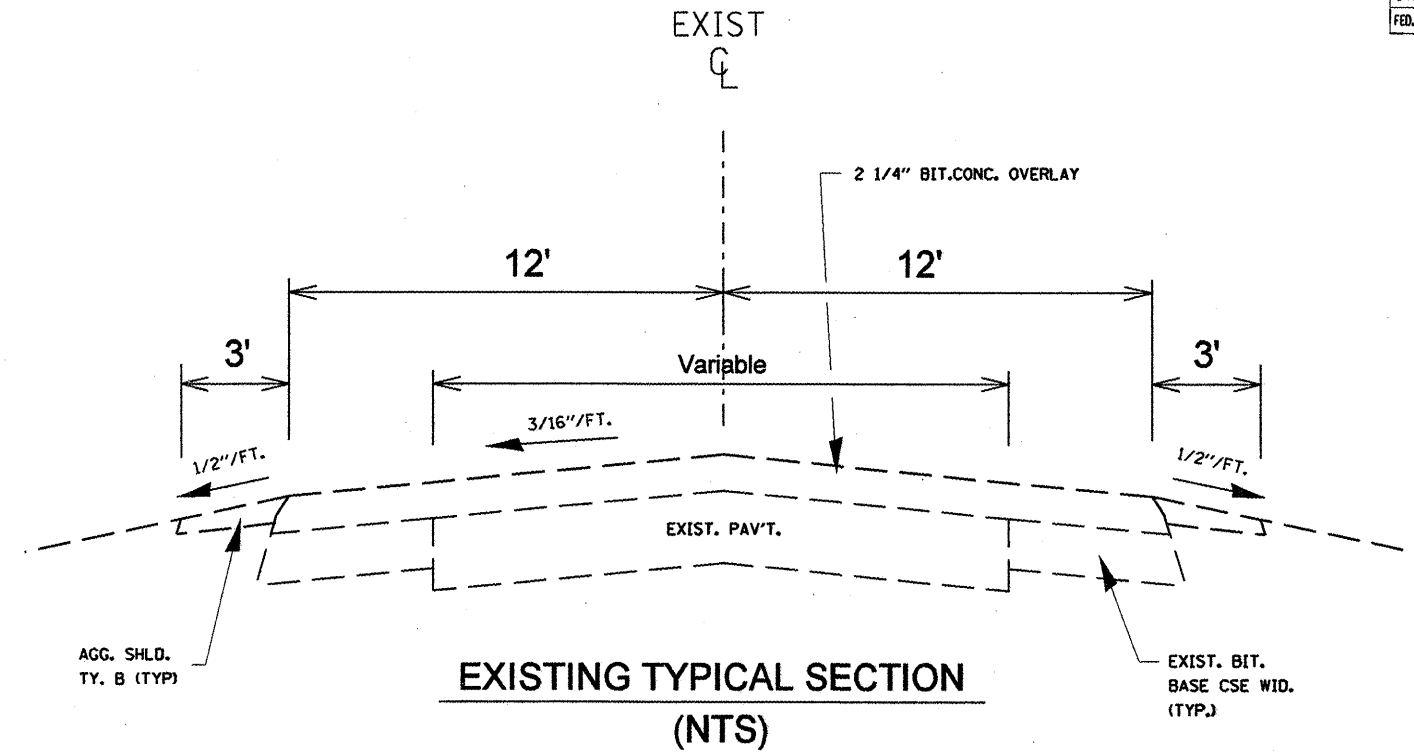
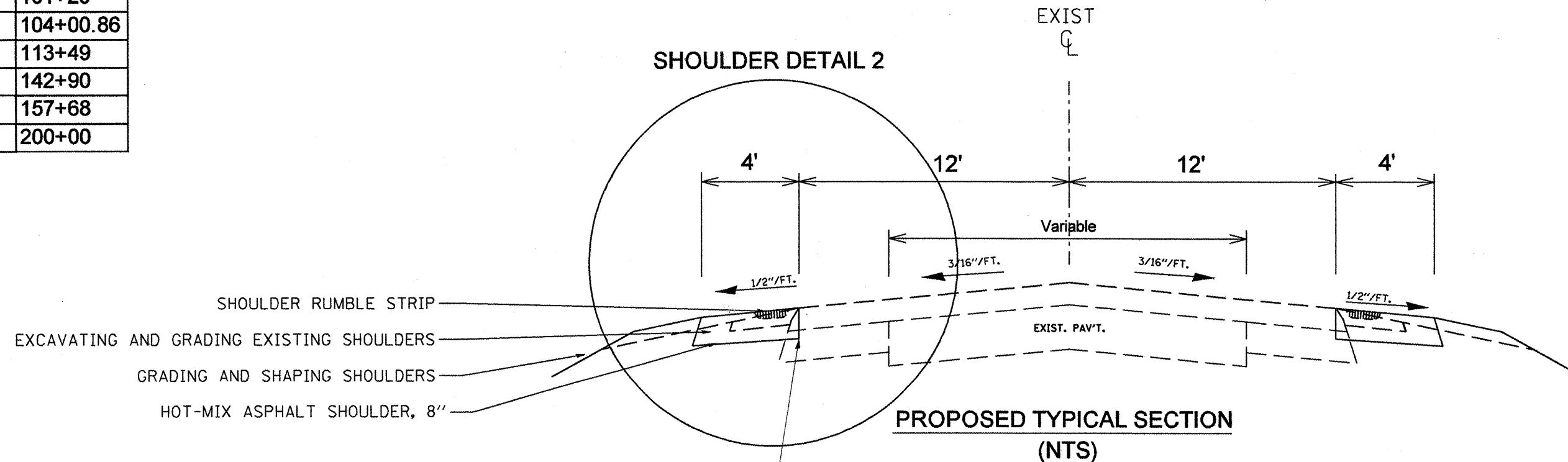


F.A.P. RTE.	SECTION	COUNTY	TOTAL SHEETS	SHEET NO.
653	1051-1	PUTNAM	24	5
STA.		TO STA.		
FED. ROAD DIST. NO.		ILLINOIS FED. AID PROJECT		

LT	48+54.74	52+52.43
LT	67+29	74+42
LT	84+29	89+68
LT	91+58	94+80
LT	98+18	102+14
LT	103+83	104+00.86
LT	111+87.53	113+49
LT	115+02	115+55
LT	120+46	122+83
LT	133+87	142+37
LT	144+32	147+97
LT	150+24	158+00
LT	162+33	200+00
RT	48+54.74	50+71
RT	65+92	80+01
RT	86+67	89+20
RT	90+94	94+11
RT	97+86	101+29
RT	103+30	104+00.86
RT	111+87.53	113+49
RT	140+52	142+90
RT	145+01	157+68
RT	161+91	200+00



SHOULDER DETAIL 2



SAW CUT COST SHALL BE INCLUDED IN THE COST OF EXCAVATING AND GRADING EXISTING SHOULDERS

REVISIONS	
NAME	DATE

ILLINOIS DEPARTMENT OF TRANSPORTATION

TYPICAL SECTION 2

SCALE: VERT. / HORIZ. / DATE

DRAWN BY / CHECKED BY