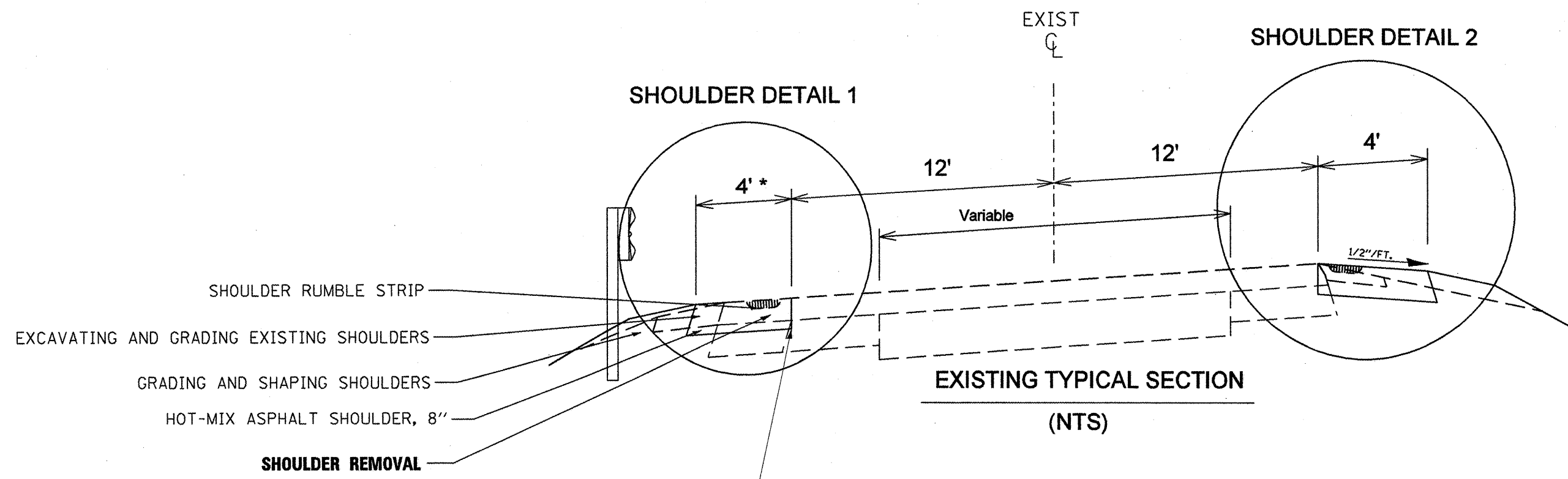
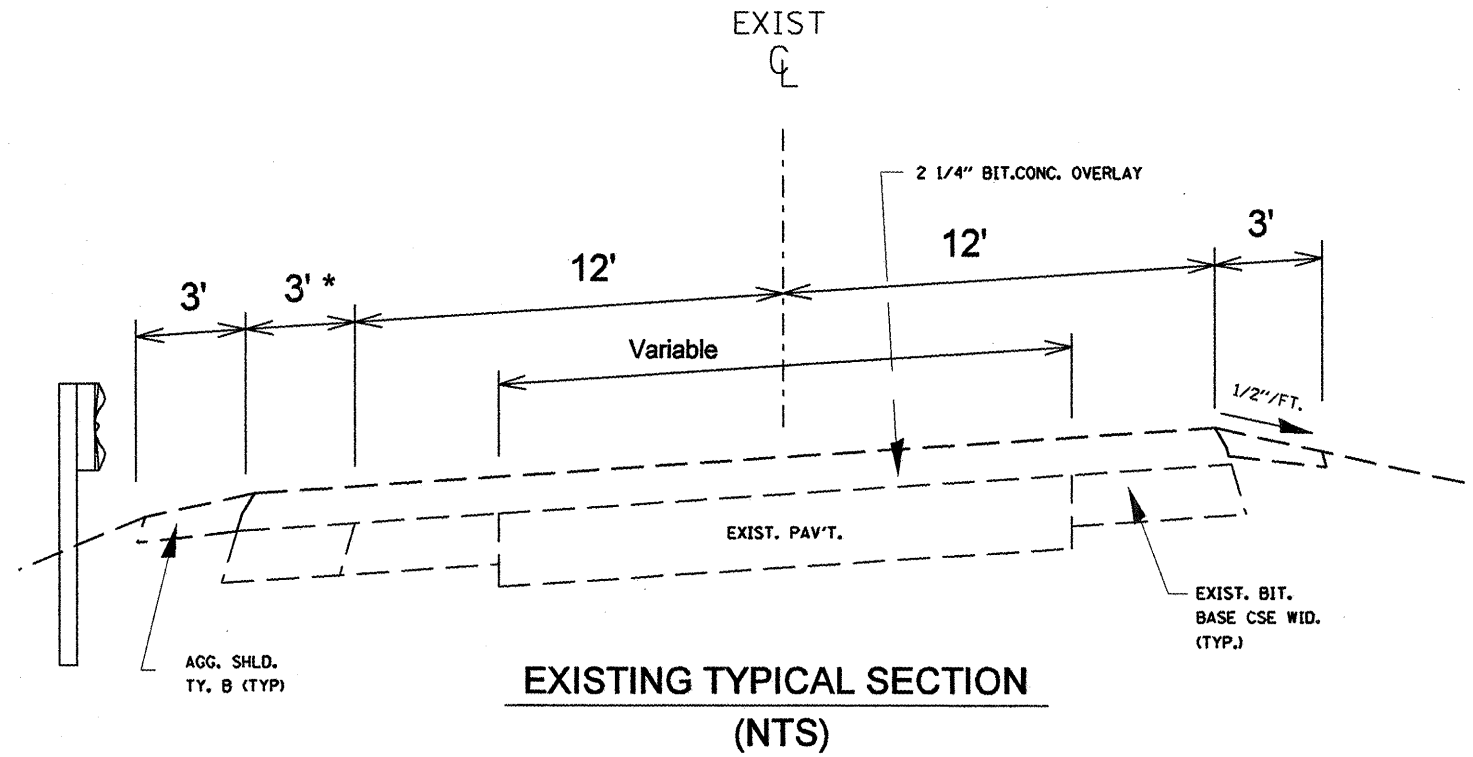


F.A.P. RTE.	SECTION	COUNTY	TOTAL SHEETS	SHEET NO.
653	105I-1	PUTNAM	24	6
STA.		TO STA.		
FED. ROAD DIST. NO.		ILLINOIS FED. AID PROJECT		

LT	56+36	58+92.49	guardrail/curve 2
LT	58+92.49	59+05.54	guardrail/curve 2/curve 3
LT	59+05.54	65+79.53	guardrail/curve 3
LT	104+00.86	111+87.53	curve 4
RT	52+52.43	55+99	guardrail/curve 2
RT	64+55	65+79.53	guardrail/curve 3
RT	105+57	109+26	guardrail/curve 4



- SHOULDER RUMBLE STRIP
- EXCAVATING AND GRADING EXISTING SHOULDERS
- GRADING AND SHAPING SHOULDERS
- HOT-MIX ASPHALT SHOULDER, 8"
- SHOULDER REMOVAL

SAW CUT COST SHALL BE INCLUDED IN THE COST OF EXCAVATING AND GRADING EXISTING SHOULDERS

REVISIONS	
NAME	DATE

ILLINOIS DEPARTMENT OF TRANSPORTATION

TYPICAL SECTION 3

SCALE: VERT. _____
HORIZ. _____

DATE _____ DRAWN BY _____
CHECKED BY _____

PLOT DATE = 2/19/2009
 FILE NAME = S:\GEN\DRFT\131018\INS\SD04013\68768\68768.dgn
 PLOT SCALE = 1/8"=1'-0"
 USER NAME = bopm