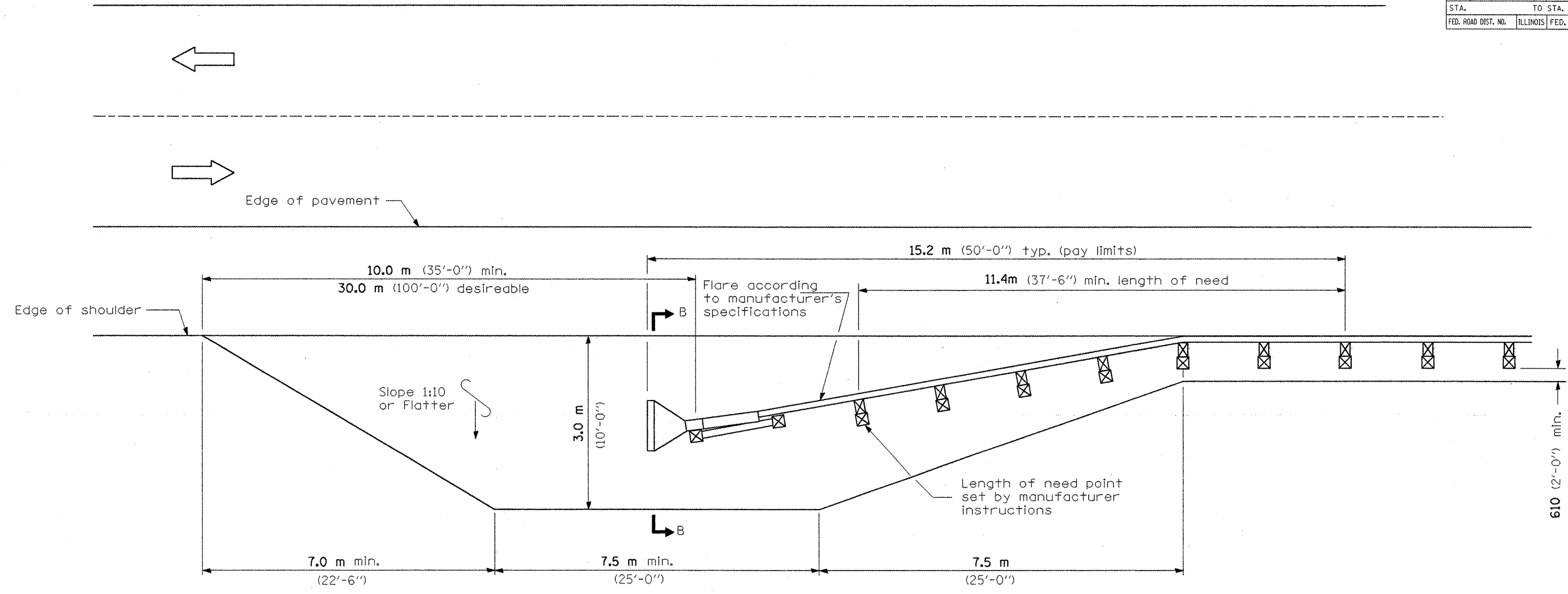
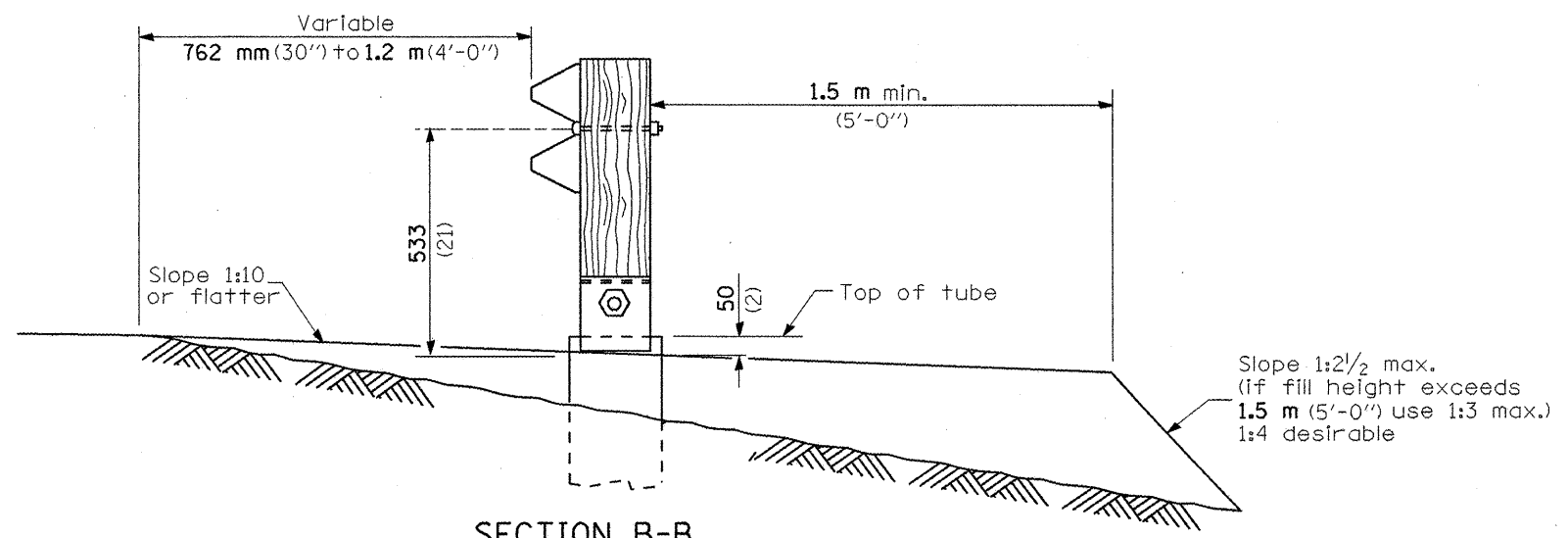


F.A.P. RTE.	SECTION	COUNTY	TOTAL SHEETS	SHEET NO.
653	105I-1	PUTNAM	24	15
STA.		TO STA.		
FED. ROAD DIST. NO.		ILLINOIS FED. AID PROJECT		



SHOULDER WIDENING TRANSITION FOR FLARED TERMINAL



SECTION B-B
(Impact Head omitted for clarity.)

REVISIONS	
NAME	DATE

ILLINOIS DEPARTMENT OF TRANSPORTATION
SHOULDER WIDENING FOR TRAFFIC BARRIER TERMINALS TYPE 1 (SPECIAL)
 (Sheet 2 of 2)
 SCALE: VERT. _____
 HORIZ. _____
 DATE _____
 DRAWN BY _____
 CHECKED BY _____

PLOT DATE = 3/19/2008
 FILE NAME = S:\GEN\DRAWING\STANDARD\68768\68768.dgn
 PLOT SCALE = 10.0000 / IN.
 USER NAME = bojerry