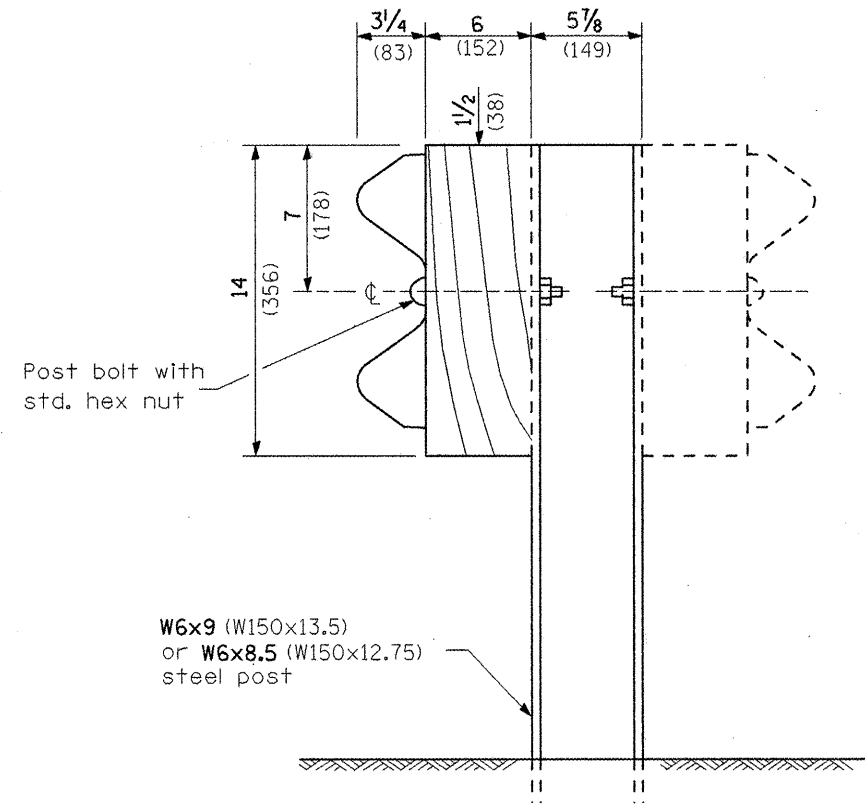
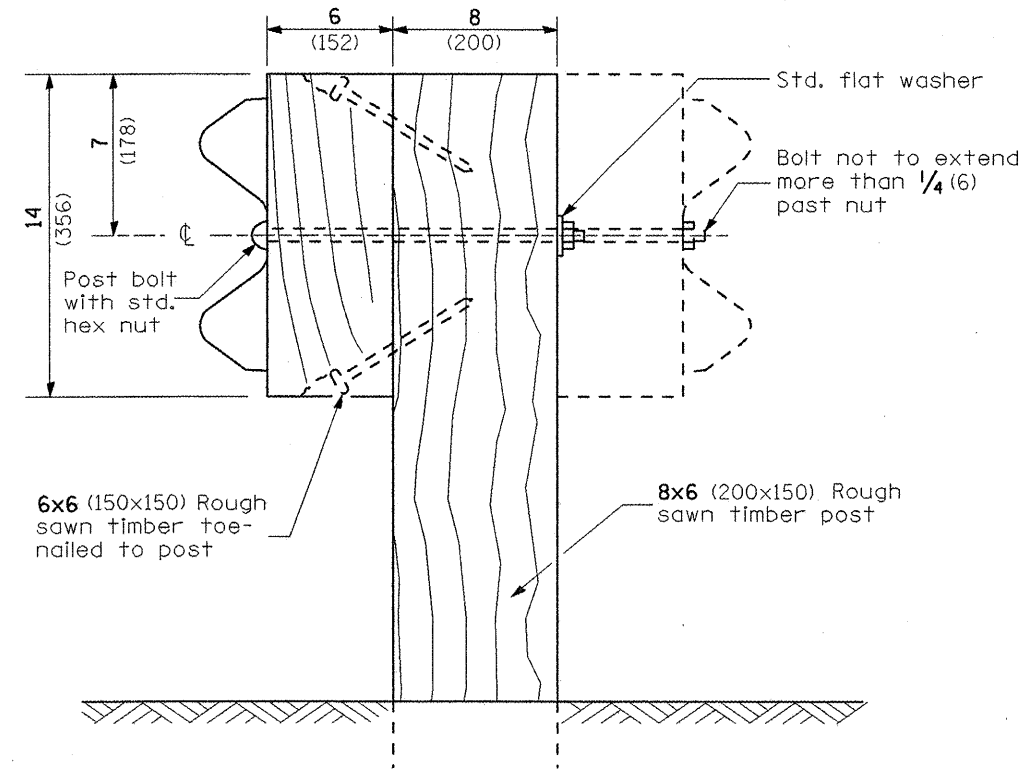


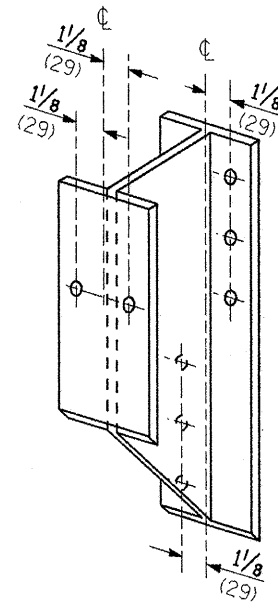
F.A. RTE.	SECTION	COUNTY	TOTAL SHEETS	SHEET NO.
653	1051-1	PUTNAM	24	17
STA.		TO STA.		
FED. ROAD DIST. NO.	ILLINOIS	FED. AID PROJECT		



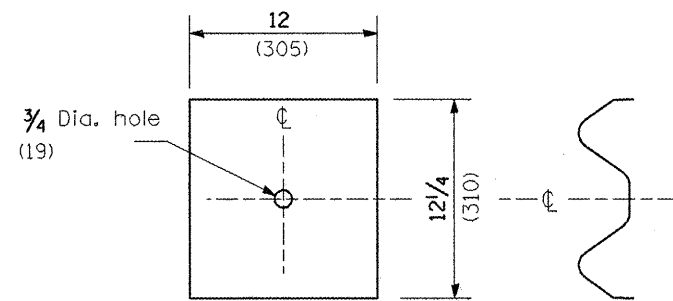
STEEL POST CONSTRUCTION



WOOD POST CONSTRUCTION



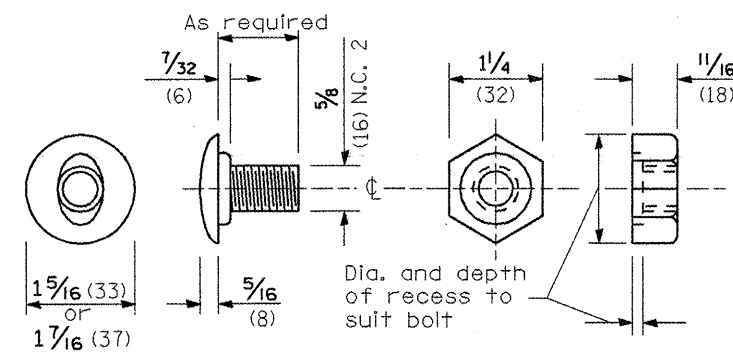
STEEL BLOCK-OUT DETAIL



NOTE

Plate A shall be placed between rail element and block-out at non-splice mounting points only when steel block-outs are used.

PLATE A



POST OR SPLICE BOLT & NUT

All dimensions are in inches (millimeters) unless otherwise noted.

ILLINOIS DEPARTMENT OF TRANSPORTATION	
DISTRICT CADD STANDARD	
REMOVE AND REERECT STEEL PLATE BEAM GUARDRAIL	
CADD STD. 630011-D4(2)	SHEET 2 OF 4
SCALE: NOT DRAWN TO SCALE	DRAWN BY: CADD
DATE **DATE**	CHECKED BY: