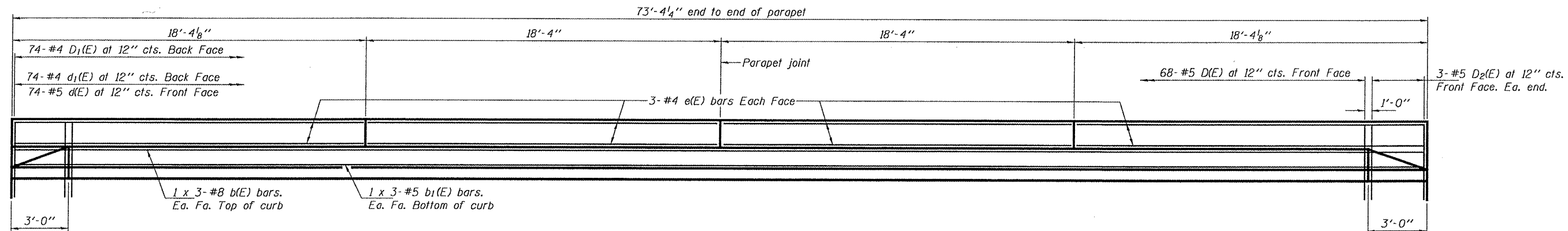


STATE OF ILLINOIS  
DEPARTMENT OF TRANSPORTATION

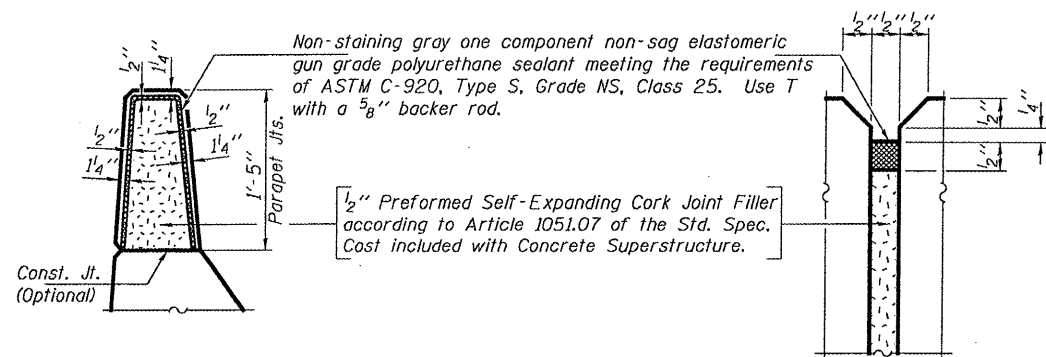
ROUTE NO.	SECTION	COUNTY	SHEET	SHEET	SHEET NO.
FAP 619	*	PUTNAM	18	14	6
FED. ROAD DIST. NO. 7		ILLINOIS		FED. AID PROJECT	
Contract Number: 68783 * (120-BR)I-1 & (11-B)I					



PARAPET ELEVATION

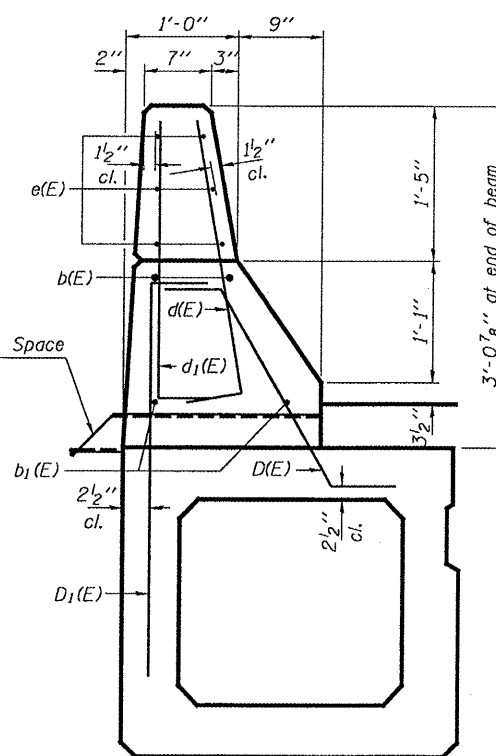
MINIMUM BAR LAPS

#5 bar = 2'-2"  
#8 bar = 4'-6"

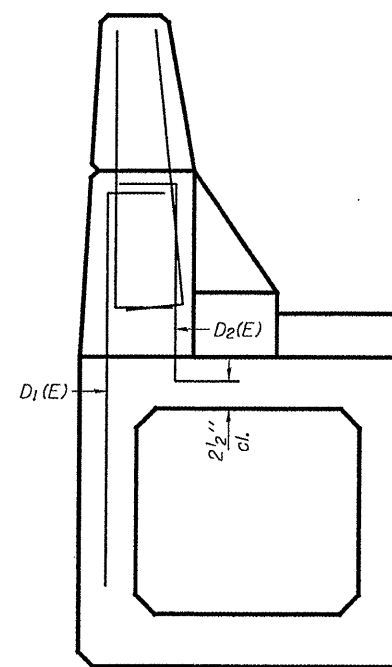


PARAPET JOINT DETAILS

Drain tubes at 12'-0" cts. Space to miss D(E) & D(E) bars. See Detail on sheet 5 of 6.



SECTION THRU CURB



END VIEW OF CURB

BILL OF MATERIAL

Bar	No.	Size	Length	Shape
b(E)	12	#8	27'-6"	—
b <sub>1</sub> (E)	12	#5	26'-0"	—
d(E)	148	#5	3'-0"	┌
d <sub>1</sub> (E)	148	#4	3'-0"	┌
e(E)	48	#4	18'-0"	—
Reinforcement Bars, Epoxy Coated		Pound	2540	
Concrete Removal		Cu. Yd.	18.7	
Concrete Superstructure		Cu. Yd.	18.7	

DESIGNED	ATH
CHECKED	AJB
DRAWN	Steffen
CHECKED	ATH AJB

MAY 12, 2008

EXAMINED *Carl K...*  
ENGINEER OF STRUCTURAL SERVICES

PASSED *Ralph E. Anderson*  
ENGINEER OF BRIDGES AND STRUCTURES

REPAIR DETAILS  
FAP 619 OVER COFFEE CREEK  
PUTNAM COUNTY  
SN 078-0032