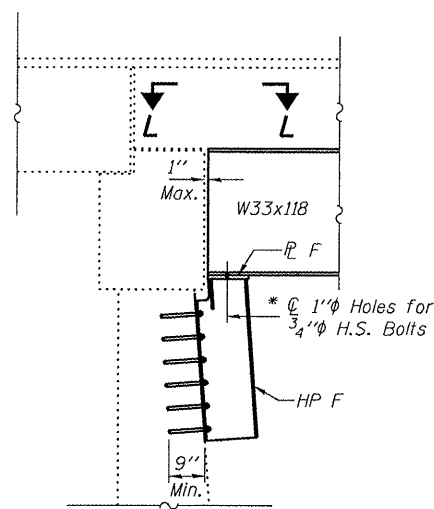


STATE OF ILLINOIS
DEPARTMENT OF TRANSPORTATION

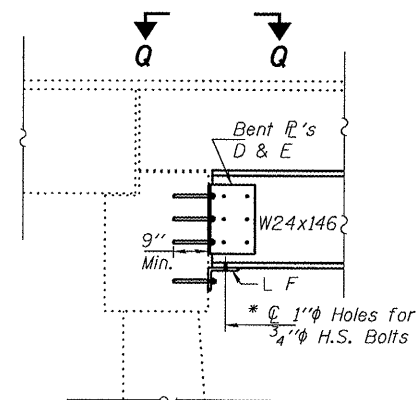
ROUTE NO.	SECTION	COUNTY	SHEET NO.	SHEET
FAP 643		STARK	18	17
FED. ROAD DIST. NO. 7	ILLINOIS	FED. AID PROJECT		

SHEET NO. 3
4 SHEETS

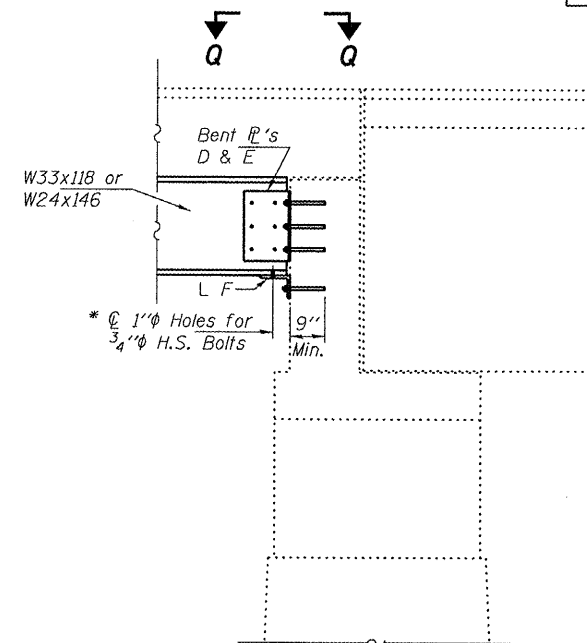
Contract Number: 68783



SECTION D-D
Typical Span 1 Beams 3, 7, & 8
at East Abutment



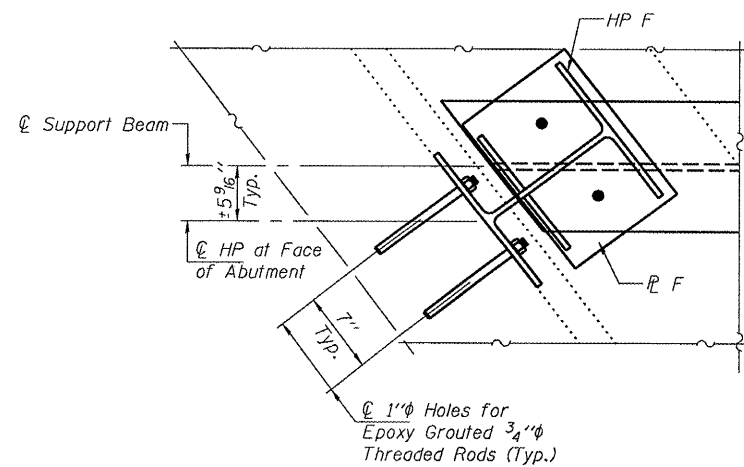
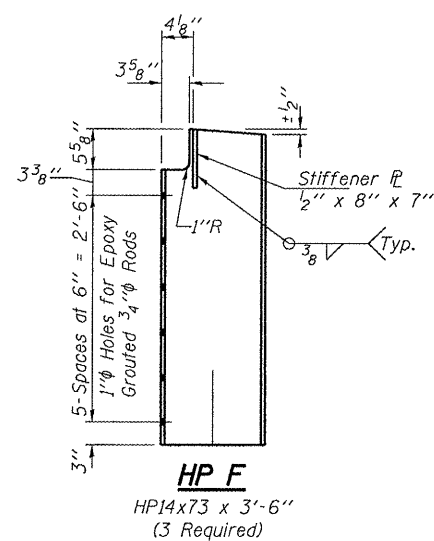
SECTION E-E
Typical Span 1 Beam 10
at East Abutment



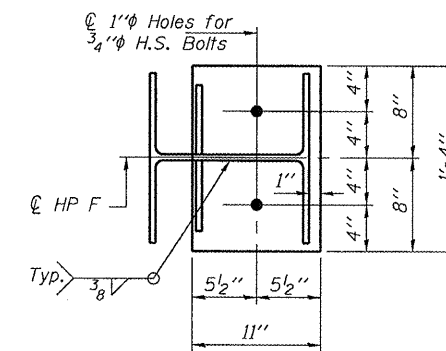
SECTION F-F
Typical Span 1 Beams 3, 7, 8 & 10 at Pier 1
and Span 3 Beams 3, 4, 10 & 11 at Pier 2

Note:
See sheet 2 of 4 for Bent Plate details.

* Use holes in brackets to
field drill holes in beams.



SECTION L-L



P F
1" x 1'-4" x 11"
(3 Required)

DESIGNED	ATH
CHECKED	VHV
DRAWN	Steffen
CHECKED	ATH VHV

MAY 7, 2008
EXAMINED *Carl Thayer*
ENGINEER OF STRUCTURAL SERVICES
PASSED *Ralph E. Anderson*
ENGINEER OF BRIDGES AND STRUCTURES

REPAIR DETAILS
FAP 643 OVER
SPOON RIVER
STARK COUNTY
SN 088-0002