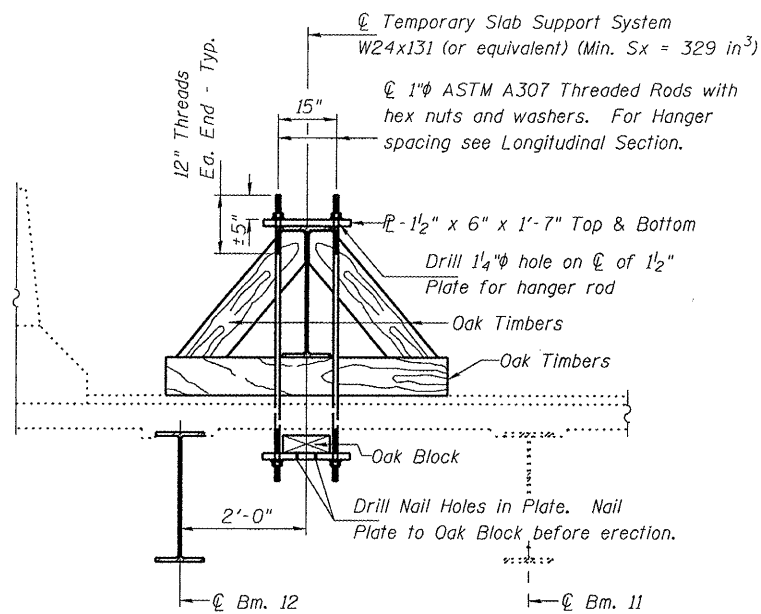


STATE OF ILLINOIS  
DEPARTMENT OF TRANSPORTATION

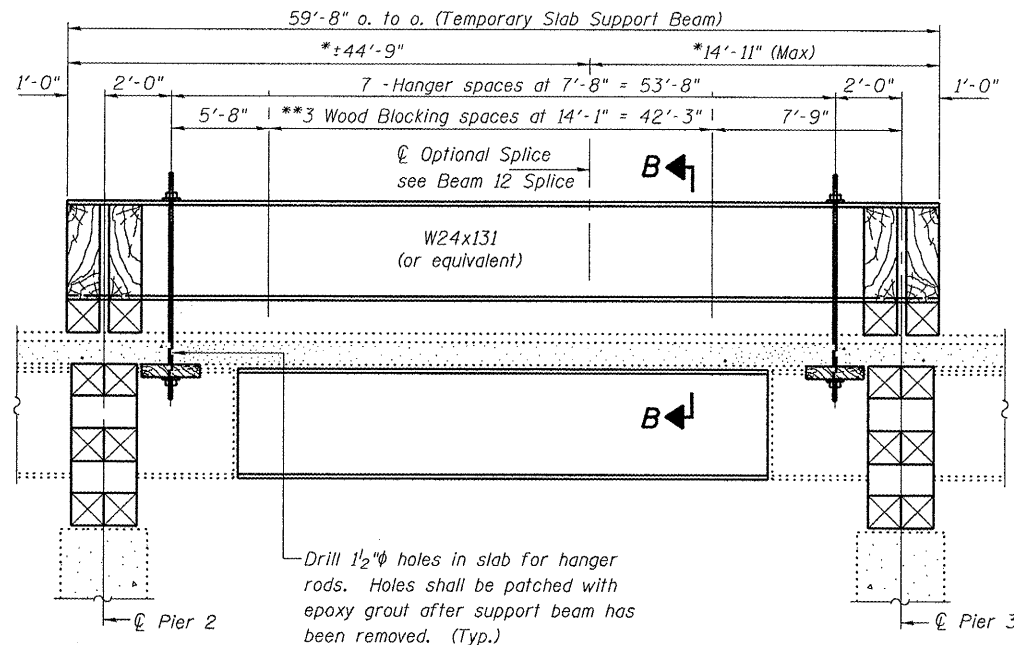
ROUTE NO.	SECTION	COUNTY	TOTAL SHEETS	SHEET NO.	SHEET NO. 4 4 SHEETS
FAI 74	ΔΔ	Tazewell	14	14	
FED. ROAD DIST. NO. 7	ILLINOIS	FED. AID PROJECT			

Contract Number: 68803  
ΔΔ D4MCHD2008

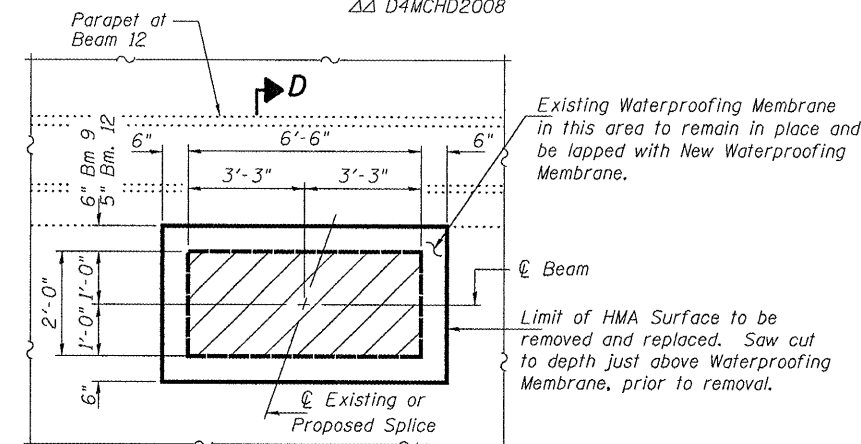


**SECTION B-B**

\* These dimensions may vary for available beams in stock.



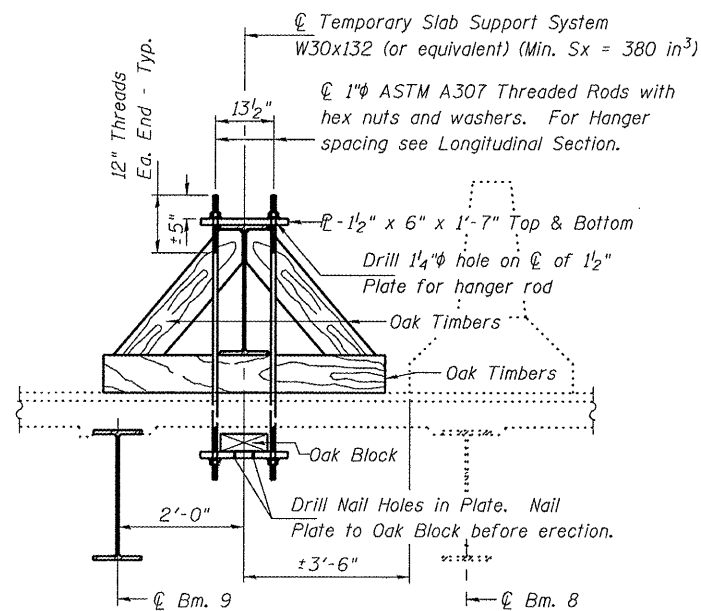
**LONGITUDINAL SECTION AT BEAM 12  
SUGGESTED TEMPORARY SLAB SUPPORT SYSTEM**



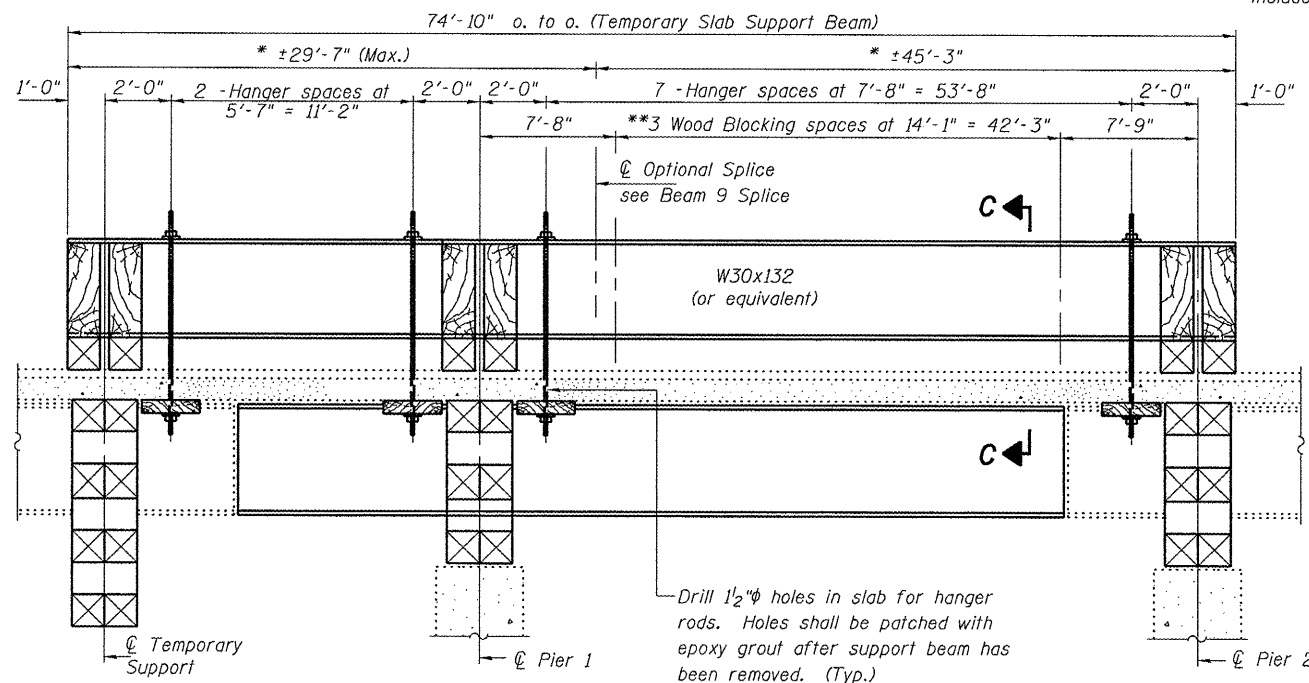
**TYPICAL CONCRETE & HMA  
SURFACE REMOVAL AND REPLACEMENT**

Hatched areas indicate concrete sections to be removed and replaced. Perimeters of concrete removal areas shall be saw cut 3/4" prior to the removal of concrete. Reinforcement shall be cut only if required for fitting bolts. Cut reinforcement shall be spliced as directed by the Engineer. Cost shall be included with Concrete Removal. The cost of removing and replacing the existing HMA surface, waterproofing membrane, and saw cutting shall be included with Concrete Removal.

**SECTION D-D**

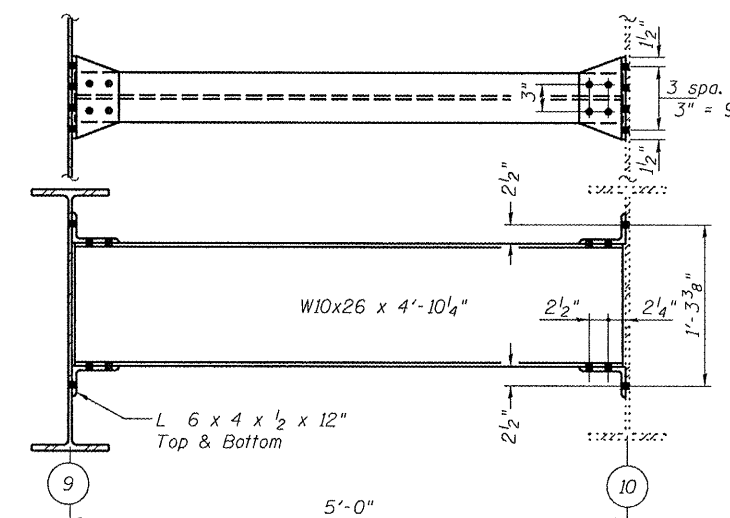


**SECTION C-C**



**LONGITUDINAL SECTION AT BEAM 9  
SUGGESTED TEMPORARY SLAB SUPPORT SYSTEM**

\*\*Wood blocking between supports to be placed after support beam deflects under its own weight.



**DIAPHRAGM REPLACEMENT DETAIL**

DESIGNED	A.T.H.
CHECKED	S.J.B.
DRAWN	Drew Christopher
CHECKED	A.T.H. S.J.B.

April 15, 2008  
EXAMINED *Carl Krueger*  
ENGINEER OF STRUCTURAL SERVICES  
PASSED *Ralph E. Anderson*  
ENGINEER OF BRIDGES AND STRUCTURES

REP-2 1-27-2000

SLT-94-001-07

**BEAM REPLACEMENT DETAILS**

F.A.I. RT. 74  
TAZEWELL COUNTY  
SN 090-0091