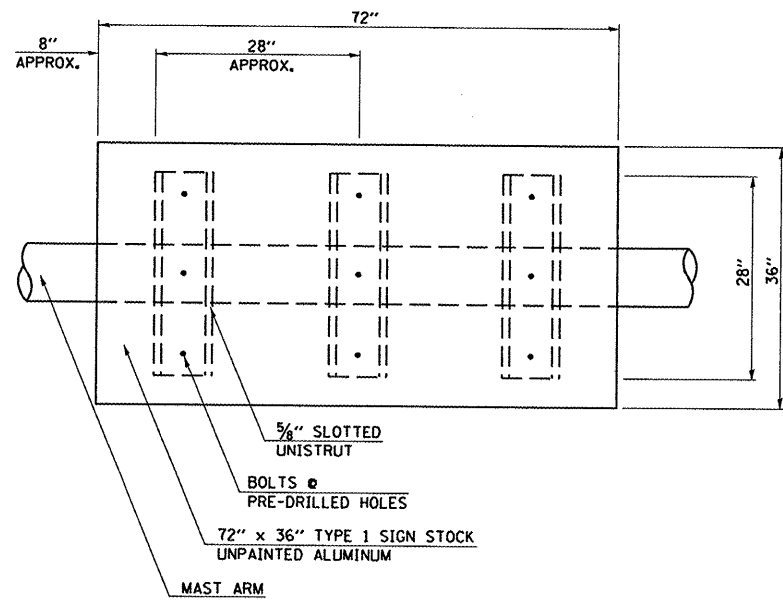
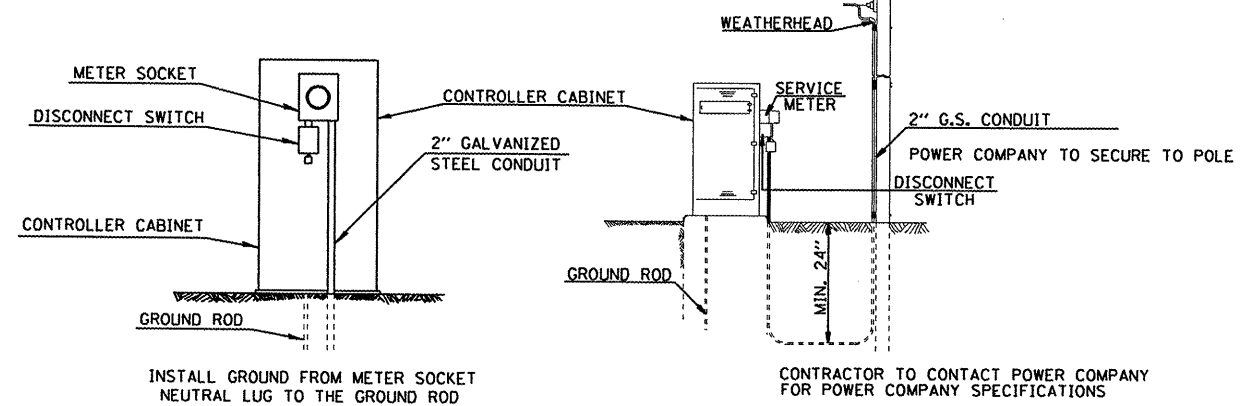


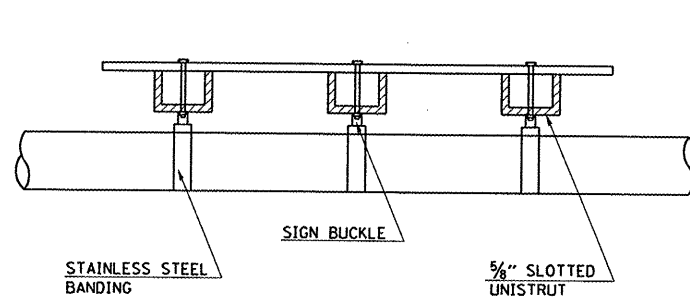
MAST ARM DAMPENING DEVICE MOUNTING DETAIL



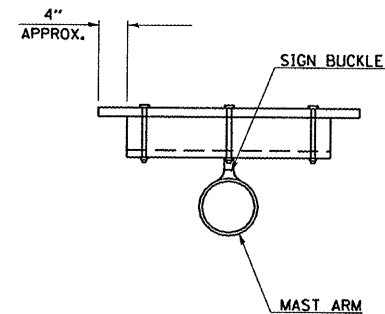
PLAN VIEW



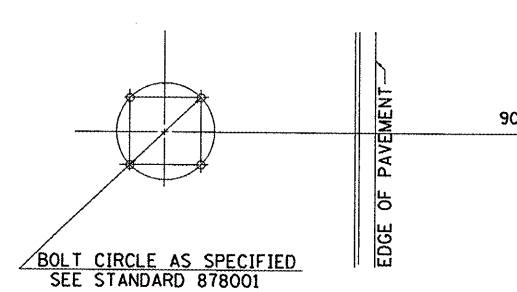
DETAIL OF SERVICE INSTALLATION, TYPE A (MODIFIED)



ELEVATION



CROSS SECTION



DETAIL OF MAST ARM FOUNDATION BOLT PATTERN

NOTE: PAINT ENDS OF UNISTRUT WITH SPRAY ON GALVANIZED PAINT

FILE NAME = c:\projects\4586207 (48)\locust.street.dwg	USER NAME = collierbw	DESIGNED - RDB	REVISED -
		DRAWN - RDB	REVISED -
	PLOT SCALE = 40.0000' / IN.	CHECKED -	REVISED -
	PLOT DATE = 3/14/2008	DATE -	REVISED -

**STATE OF ILLINOIS
DEPARTMENT OF TRANSPORTATION**

SCALE: SHEET NO. OF SHEETS STA. TO STA.

F.A.P. RTE.	SECTION	COUNTY	TOTAL SHEETS	SHEET NO.
730	(61.62)TS	MCLEAN	13	13
FED. ROAD DIST. NO. ILLINOIS FED. AID PROJECT			CONTRACT NO. 70682	