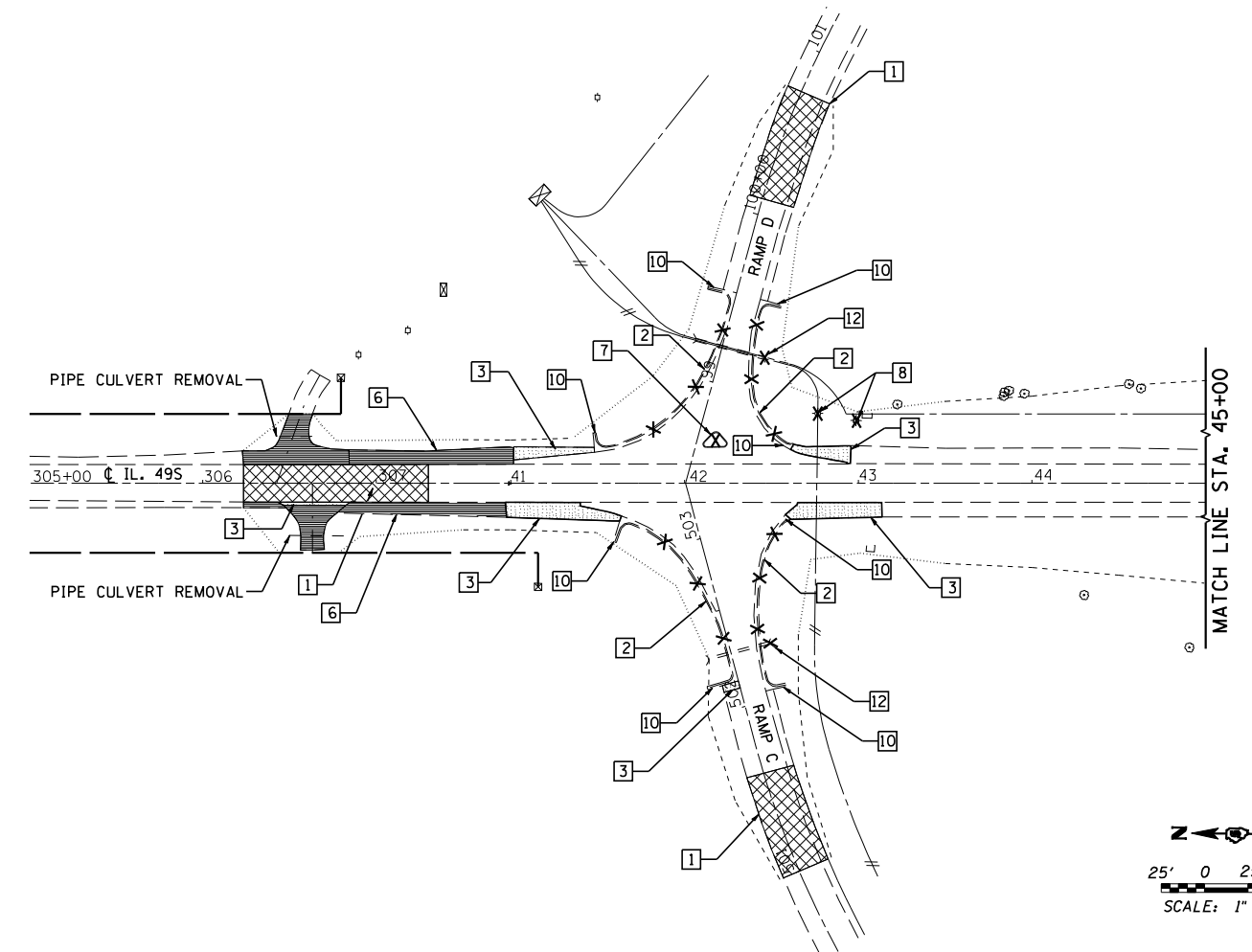
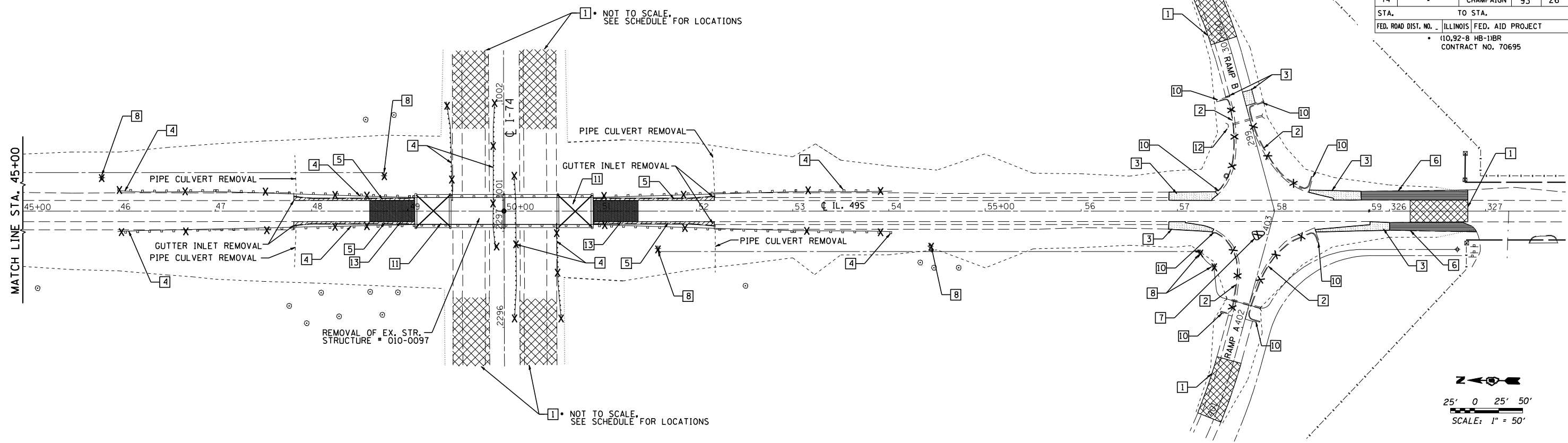


F.A.I. RTE.	SECTION	COUNTY	TOTAL SHEETS	SHEET NO.
74		CHAMPAIGN	93	26
STA.		TO STA.		
FED. ROAD DIST. NO.		ILLINOIS FED. AID PROJECT		
		• (10,92-8 HB-1)BR		
		CONTRACT NO. 70695		



**LEGEND FOR REMOVAL ITEMS:**

- 1 [Hatched Box] HOT-MIX ASPHALT SURFACE REMOVAL - BUTT JOINT
- 2 [Crossed Box] COMBINATION CURB AND GUTTER REMOVAL
- 3 [Dotted Box] PAVED SHOULDER REMOVAL
- 4 [-X-X-] GUARDRAIL REMOVAL
- 5 [Diagonal Lines] GUTTER REMOVAL
- 6 [Solid Black Box] EARTH EXCAVATION (AGGREGATE SHOULDER REMOVAL)
- 7 [Circle with X] ISLAND REMOVAL
- 8 [\*] LIGHT POLE FOUNDATION REMOVAL
- 9 [Circle with X] TREE REMOVAL
- 10 [Circle with X] GUTTER OUTLET REMOVAL
- 11 [X] APPROACH SLAB REMOVAL
- 12 [Crossed Box] CONCRETE HEADWALL REMOVAL
- 13 [Solid Black Box] PAVEMENT REMOVAL

**NOTE:**

1. CONTRACTOR SHALL SUBMIT REMOVAL PLANS FOR APPROVAL BY THE ENGINEER.
2. EXISTING SPBGR TRAFFIC BARRIER TERMINALS IN GOOD CONDITION SHALL BE SALVAGED. SEE SPECIAL PROVISIONS.
3. TRAFFIC BARRIER TERMINAL REMOVAL IS PAID FOR AS "GUARDRAIL REMOVAL".
4. GUTTER/INLET & OUTLET REMOVAL IS PAID FOR AS "GUTTER REMOVAL".

REVISIONS	
NAME	DATE

ILLINOIS DEPARTMENT OF TRANSPORTATION  
**REMOVAL ITEMS & EXISTING UTILITIES**  
 FAP 836 (IL 49 S)/(CH 22)  
 OVER I-74  
 CHAMPAIGN COUNTY

SCALE: 1:50  
 DATE: 06/2003

DRAWN BY: WJX  
 CHECKED BY: IYL