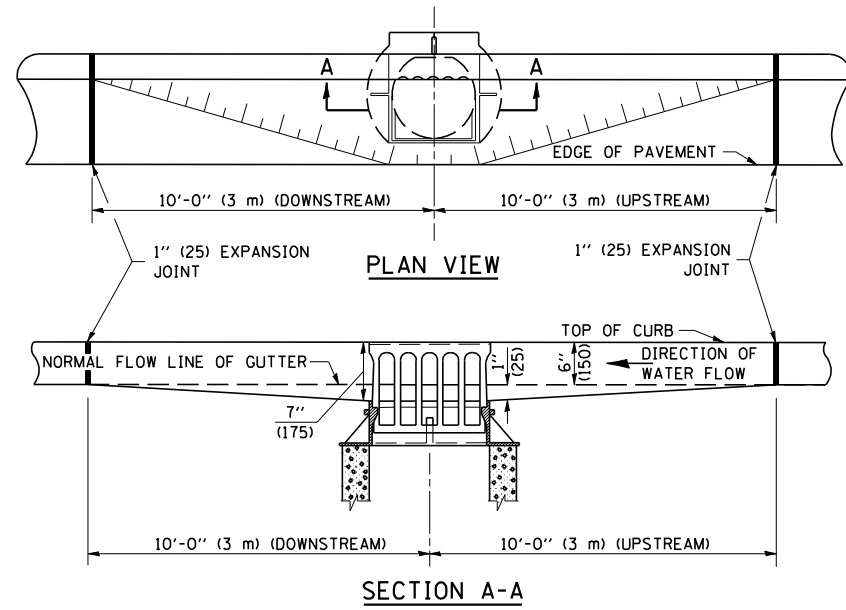


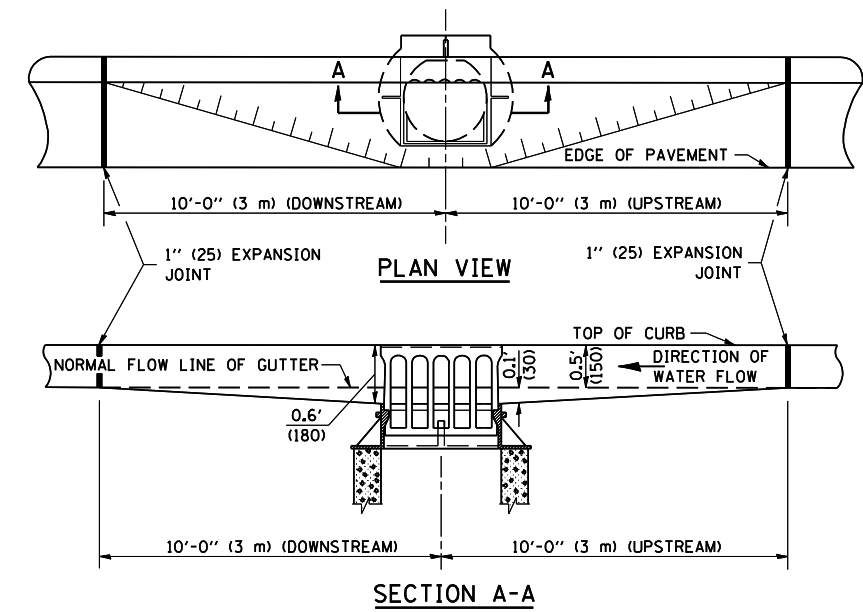
F.A.I. RTE.	SECTION	COUNTY	TOTAL SHEETS	SHEET NO.
74	.	CHAMPAIGN	93	62
STA.		TO STA.		
FED. ROAD DIST. NO.	ILLINOIS FED. AID PROJECT			
	• (10,92-8 HB-1)BR			

CONTRACT NO. 70695

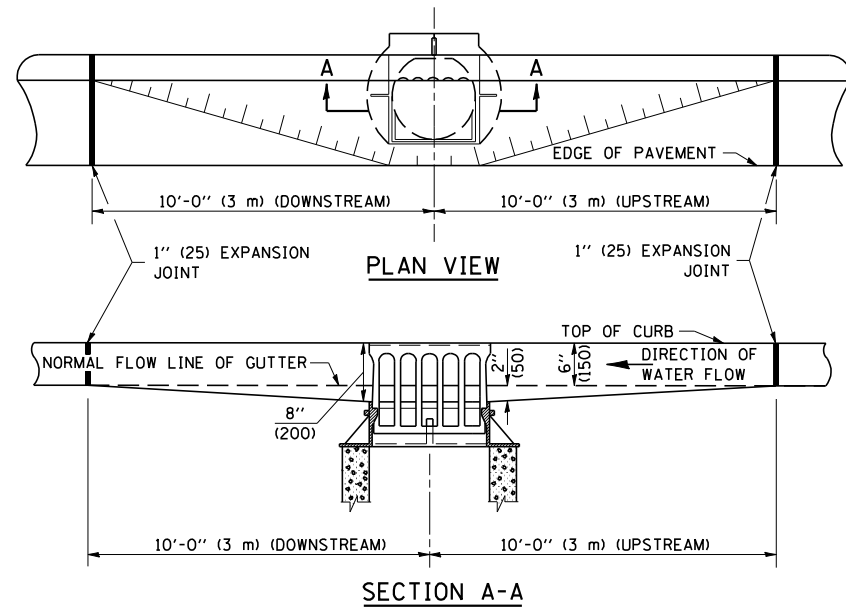
**GUTTER DEPRESSION 1" (25mm)**



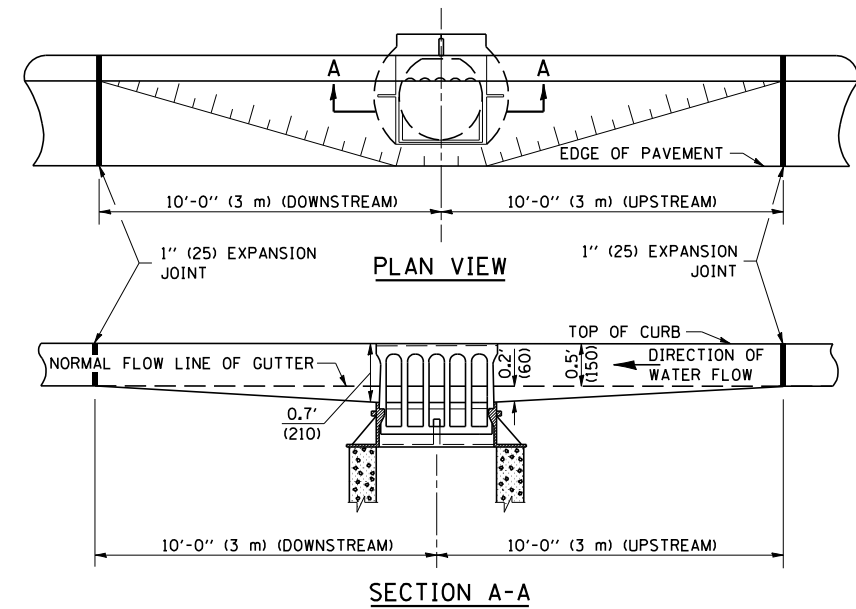
**GUTTER DEPRESSION 0.1 FOOT (30mm)**



**GUTTER DEPRESSION 2" (50mm)**



**GUTTER DEPRESSION 0.2 FOOT (60mm)**



**GENERAL NOTES**

1. THE TWO EXPANSION JOINTS SHALL BE PLACED AS SHOWN IN STANDARD 606001.
2. THE GUTTER GRADE SHALL BE DEPRESSED AT ALL INLETS, CATCH BASINS AND MANHOLES UNLESS OTHERWISE SPECIFIED IN THE PLANS.
3. THE COST OF THIS WORK SHALL BE INCLUDED IN THE COST OF THE VARIOUS PAY ITEMS OF WORK INVOLVED.

Note: All dimensions are in INCHES (millimeters) unless otherwise shown.

DATE	REVISIONS	NAME	ILLINOIS DEPARTMENT OF TRANSPORTATION
11/06	REPLACED DETAILS A-1.30, A-1.31, A-1.32, A-1.33	TJB	<b>GUTTER DEPRESSION AT INLETS, CATCH BASINS AND MANHOLES</b>
			<b>DISTRICT 5 DETAIL NO. 606AAAAA</b>

PLOT DATE = 12/19/2007  
FILE NAME = c:\projects\05010991\structure\010-0097\detail\2007.dgn  
PLOT SCALE = 42.3525 / IN.  
USER NAME = collierb