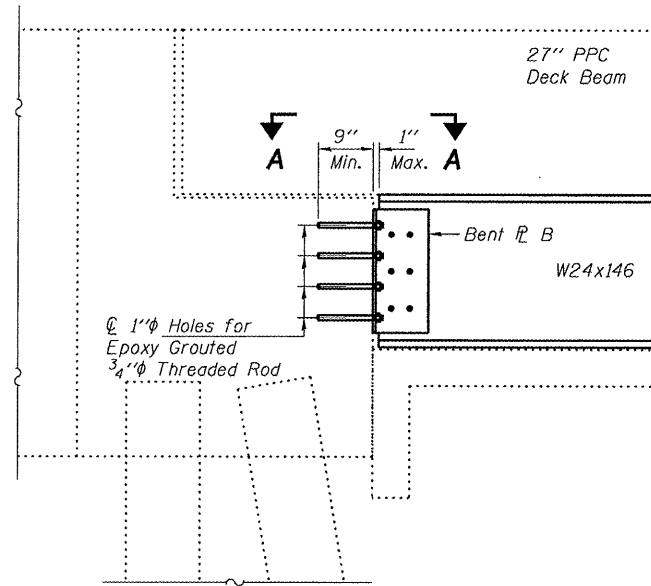


STATE OF ILLINOIS
DEPARTMENT OF TRANSPORTATION

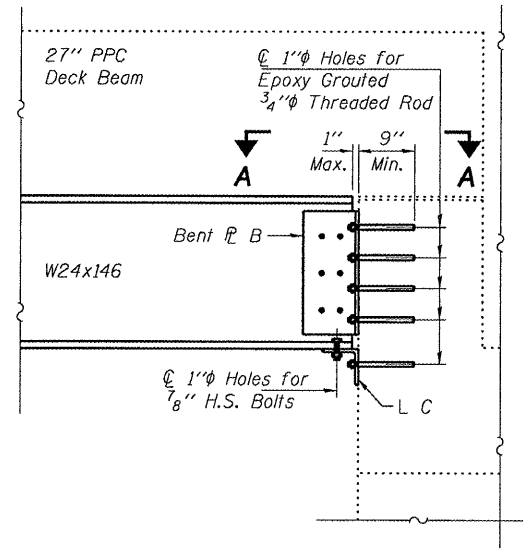
ROUTE NO.	SECTION	COUNTY	TOTAL SHEETS	SHEET NO.
FAP 326		CHAMPAIGN	5	5
FED. ROAD DIST. NO. 7	ILLINOIS	FED. AID PROJECT		

SHEET NO. 2
2 SHEETS

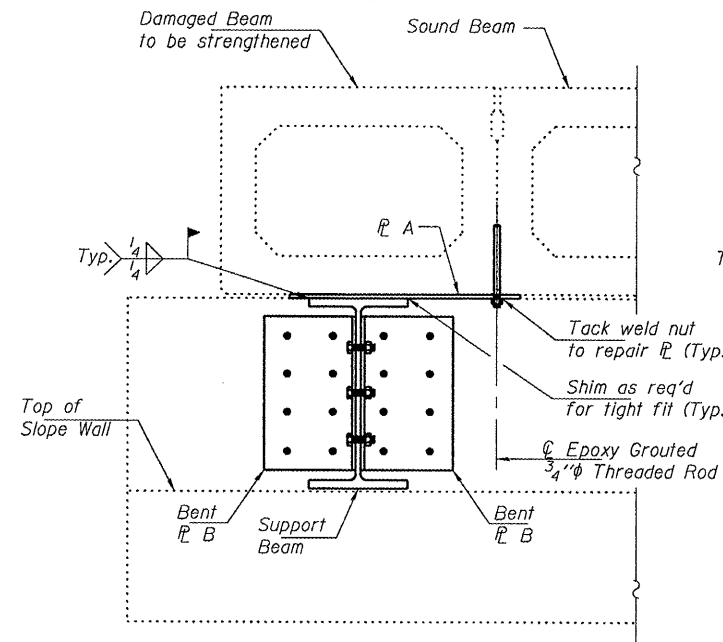
Contract Number: 70720



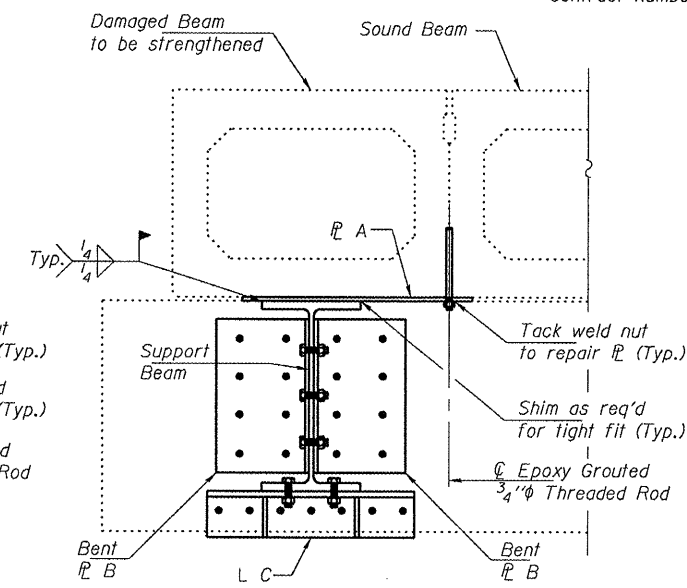
TYPICAL SECTION THRU ABUTMENTS



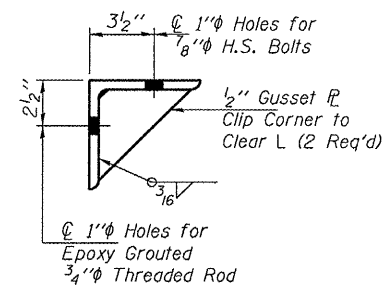
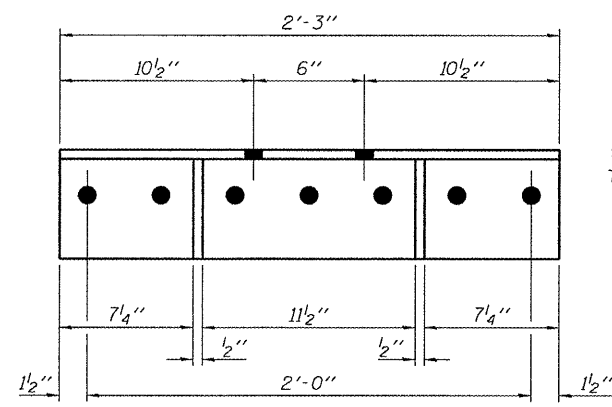
TYPICAL SECTION THRU PIERS



TYPICAL SECTION AT ABUTMENTS

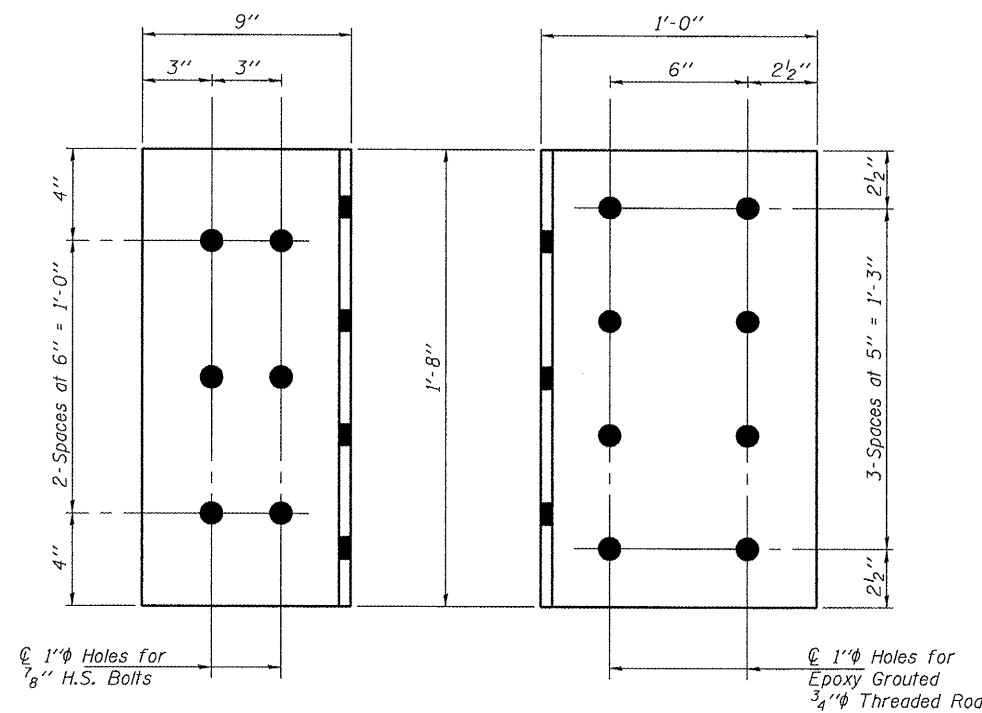


TYPICAL SECTION AT PIERS



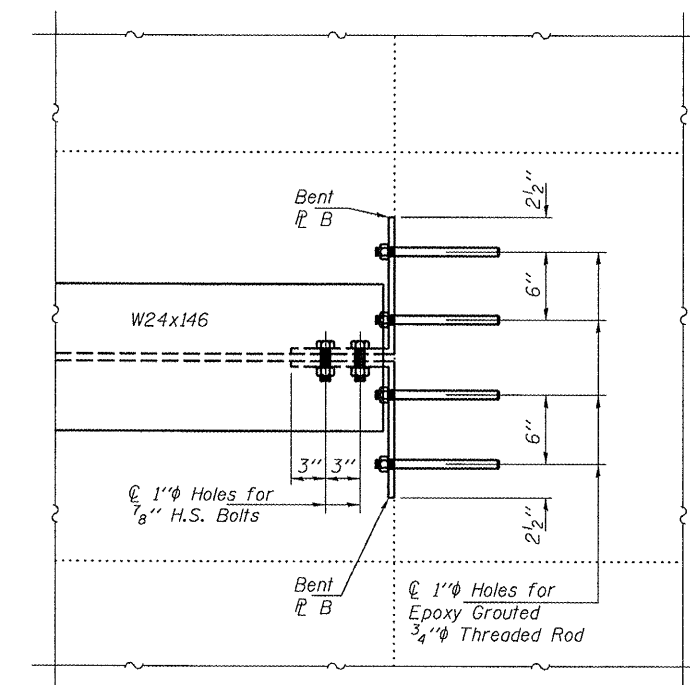
TYPICAL SECTION THRU L C

L C
L 6" x 6" x 1/2" x 2'-3"
(10 Required)



BENT PL B

PL 1/2" x 1'-8" x 1'-9"
(24 Required)



SECTION A-A

DESIGNED	DAB
CHECKED	VHV
DRAWN	Steffen
CHECKED	DAB VHV

APRIL 22, 2008
EXAMINED *Carl P. [Signature]*
ENGINEER OF STRUCTURAL SERVICES
PASSED *Ralph E. Anderson*
ENGINEER OF BRIDGES AND STRUCTURES

REPAIR DETAILS
FAP RT. 326
CHAMPAIGN COUNTY
SN 010-0055