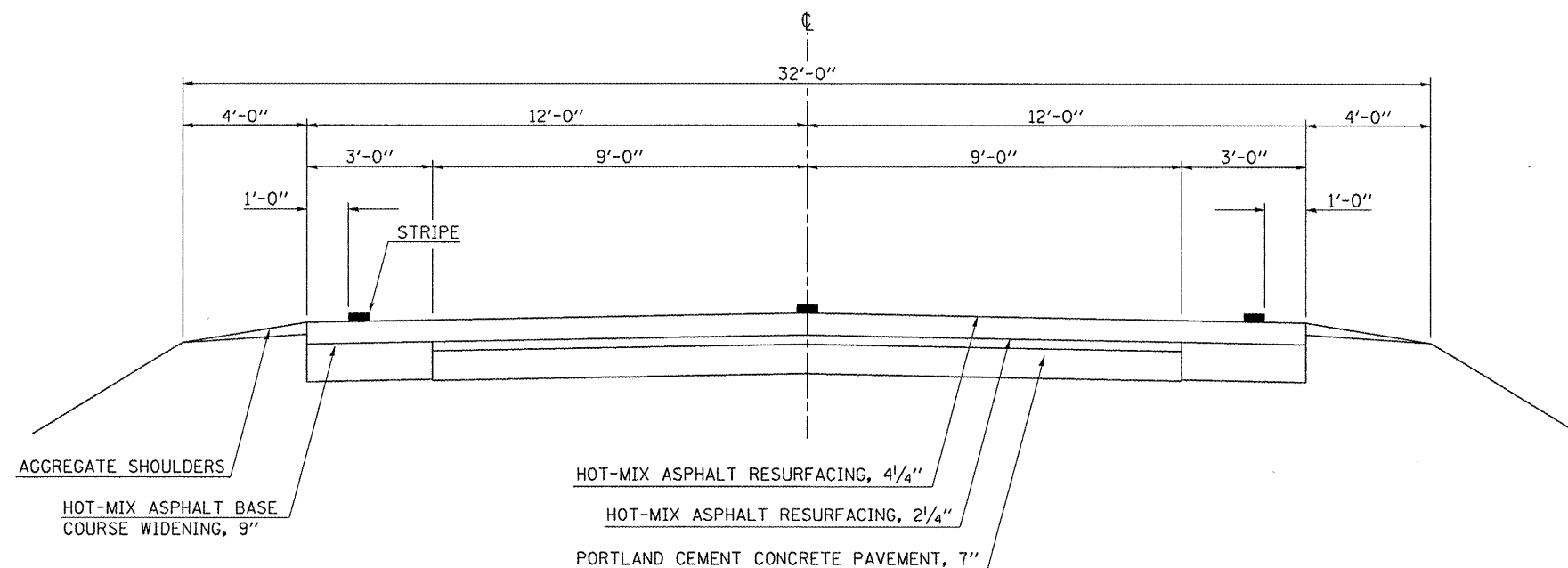


EXISTING TYPICAL CROSS SECTION (FAU 7123)

STATION 144+33.80 TO STATION 155+04.77
 STATION 182+93.42 TO STATION 300+19.00

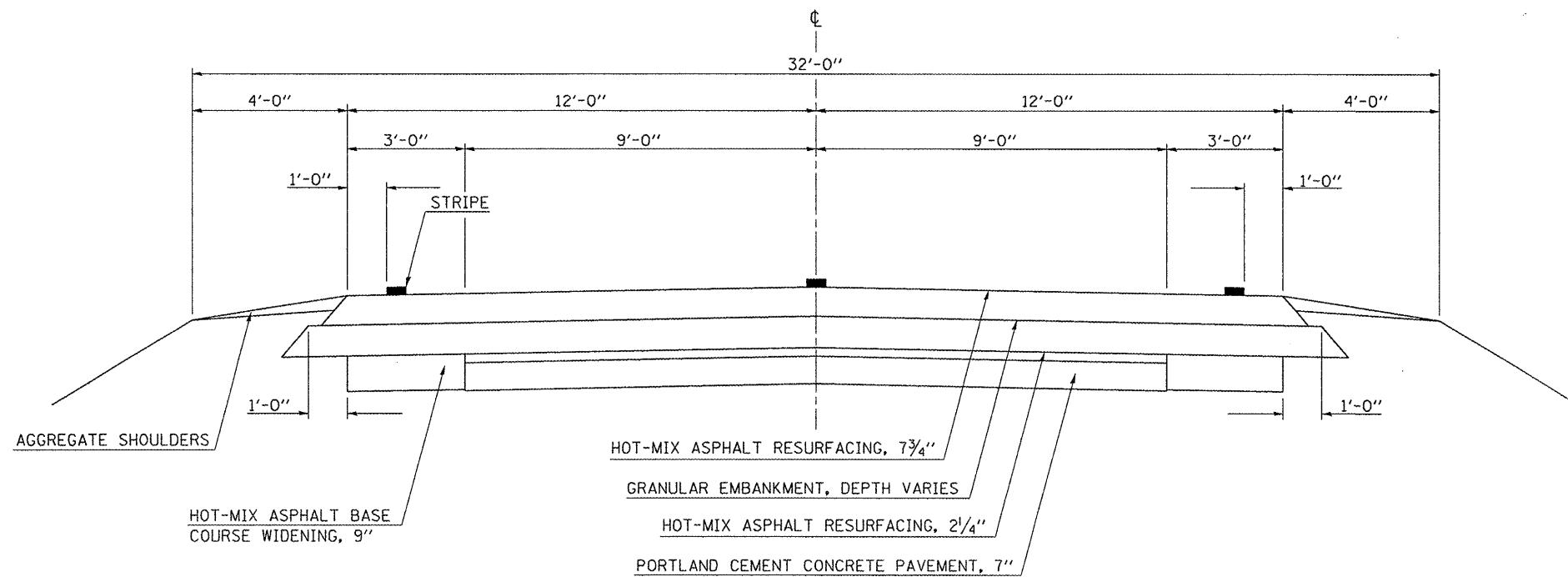
BRIDGE OMISSION
 STATION 226+65.50 TO STATION 227+90.50



EXISTING TYPICAL CROSS SECTION (FAU 7123)

STATION 155+04.77 TO STATION 182+93.42

BRIDGE OMISSION
 STATION 169+49.17 TO STATION 170+50.83



• FAU 7123 (IL 10)
 FAS 1514 (IL 10)

FILE NAME = c:\projects\d570722\70722pln.dgn	USER NAME = piersanbr	DESIGNED - CRG	REVISED -
		DRAWN - BBP	REVISED -
		CHECKED -	REVISED -
		DATE - 03/18/08	REVISED -

STATE OF ILLINOIS
 DEPARTMENT OF TRANSPORTATION

EXISTING TYPICAL CROSS SECTIONS

SCALE: NONE SHEET NO. 1 OF 2 SHEETS STA. TO STA.

F.A. RTE.	SECTION	COUNTY	TOTAL SHEETS	SHEET NO.
•	09PPP	CHAMPAIGN	13	5
FED. ROAD DIST. NO. ILLINOIS FED. AID PROJECT			CONTRACT NO. 70722	