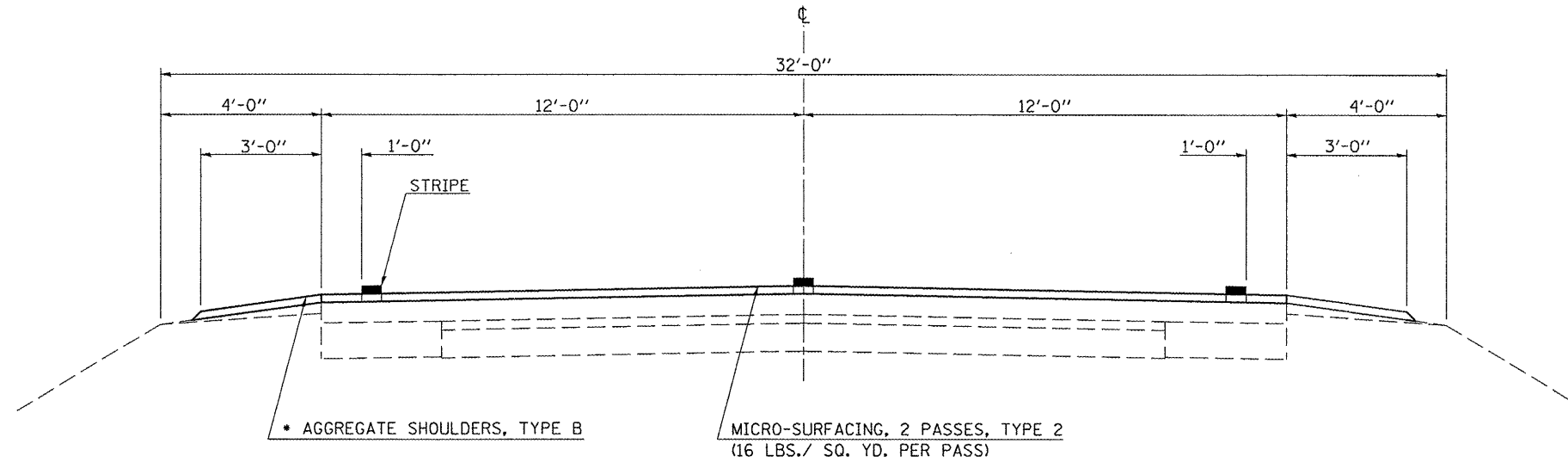


① PROPOSED TYPICAL CROSS SECTION (FAU 7123)

STATION 144+33.80 TO STATION 155+04.77 ②
 ② STATION 182+93.42 TO STATION 300+19.00 ③

BRIDGE OMISSION
 STATION 226+65.50 TO STATION 227+90.50

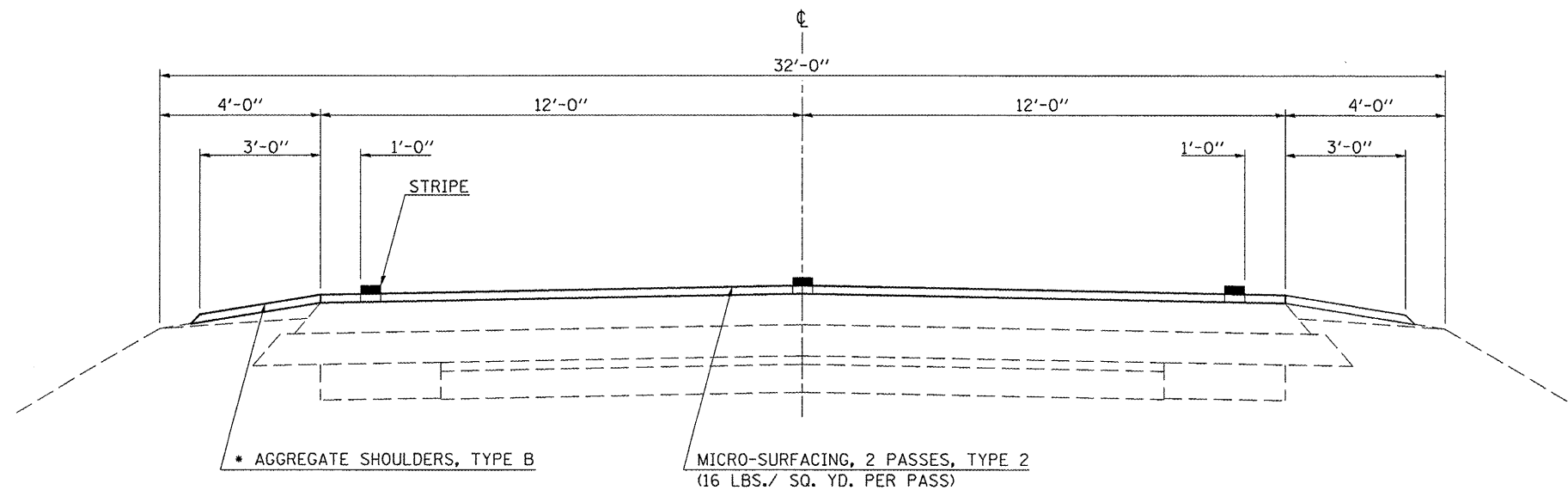


• SHOULDER QUANTITIES WERE FIGURED
 AT 3 FT. WIDE AND 1IN. DEEP

② PROPOSED TYPICAL CROSS SECTION (FAU 7123)

① STATION 155+04.77 TO STATION 182+93.42 ①

BRIDGE OMISSION
 STATION 169+49.17 TO STATION 170+50.83



• SHOULDER QUANTITIES WERE FIGURED
 AT 3 FT. WIDE AND 1 IN. DEEP

• FAU 7123 (IL 10)
 FAS 1514 (IL 10)

FILE NAME = c:\projects\0570722\70722plan.dgn	USER NAME = p1ersonbr	DESIGNED - CRG	REVISED -
		DRAWN - BBB	REVISED -
		CHECKED -	REVISED -
		DATE - 03/18/08	REVISED -

**STATE OF ILLINOIS
 DEPARTMENT OF TRANSPORTATION**

PROPOSED TYPICAL CROSS SECTIONS			
SCALE: NONE	SHEET NO. 1 OF 2 SHEETS	STA.	TO STA.

F.A. RTE.	SECTION	COUNTY	TOTAL SHEETS	SHEET NO.
•	09PPP	CHAMPAIGN	13	7
CONTRACT NO. 70722				
FED. ROAD DIST. NO. [ILLINOIS] FED. AID PROJECT				