

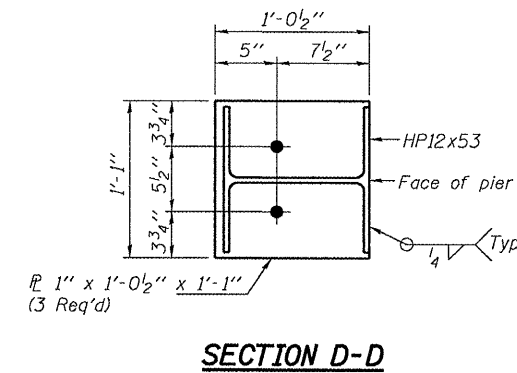
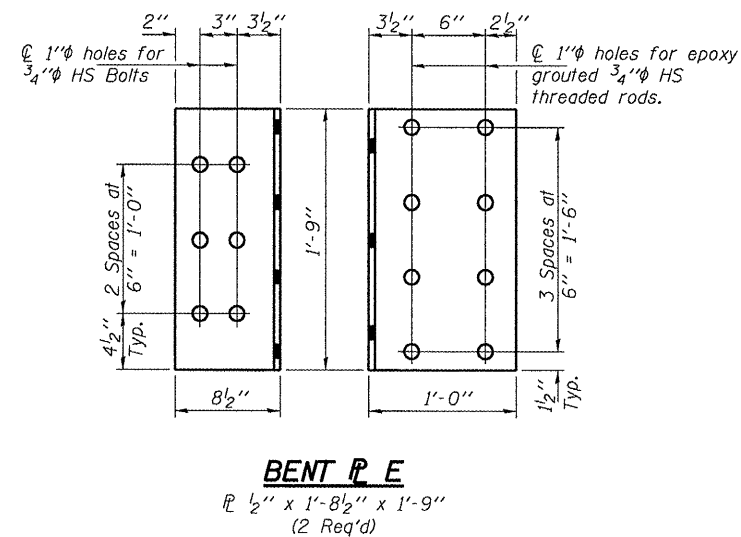
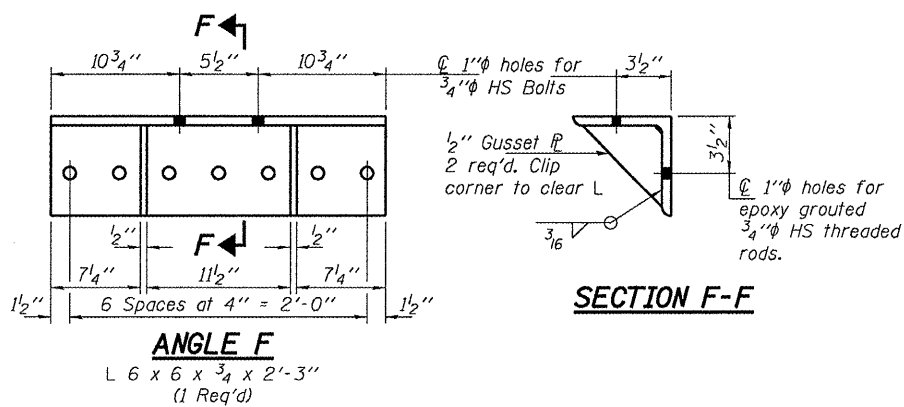
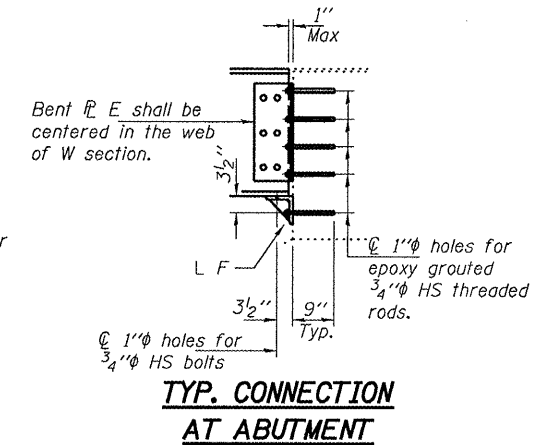
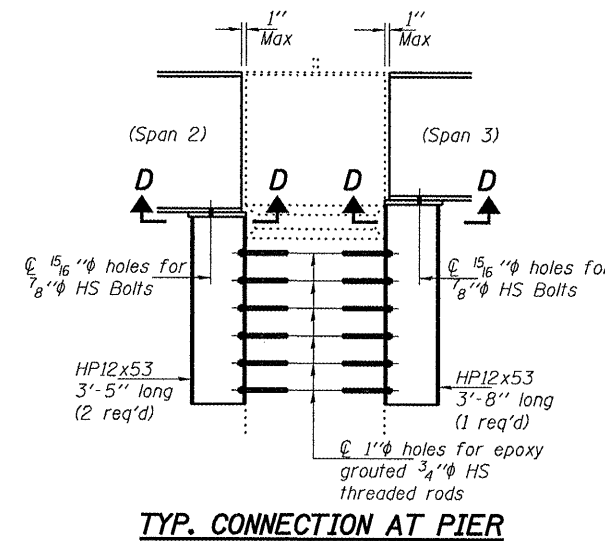
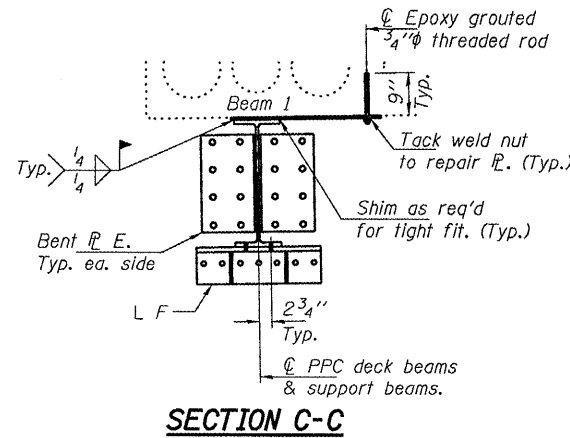
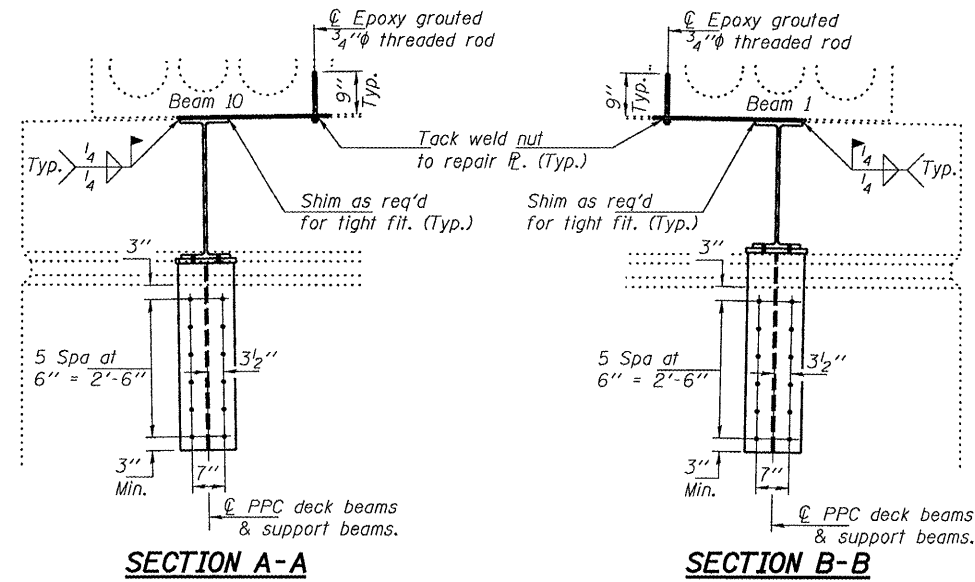
STATE OF ILLINOIS
DEPARTMENT OF TRANSPORTATION

ROUTE NO.	SECTION	COUNTY	TOTAL SHEETS	SHEET NO.
FAP 323		EDGAR	5	5
FED. ROAD DIST. NO. 7	ILLINOIS	FED. AID PROJECT		

SHEET NO. 2

2 SHEETS

Contract Number: 70723



DESIGNED	VHV
CHECKED	DAB
DRAWN	baliva
CHECKED	VHV DAB

APRIL 22, 2008
EXAMINED *Carl Perry*
ENGINEER OF STRUCTURAL SERVICES
PASSED *Ralph E. Anderson*
ENGINEER OF BRIDGES AND STRUCTURES

REPAIR DETAILS
FAP 323 OVER SALT FORK CREEK
EDGAR COUNTY
SN 023-0025