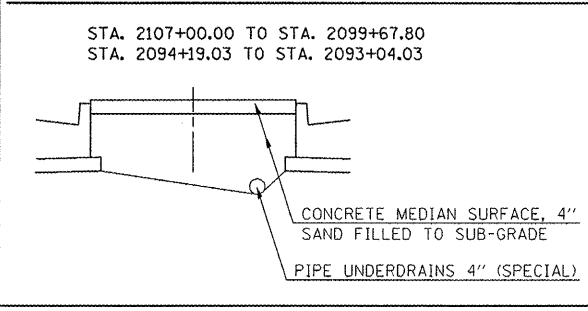
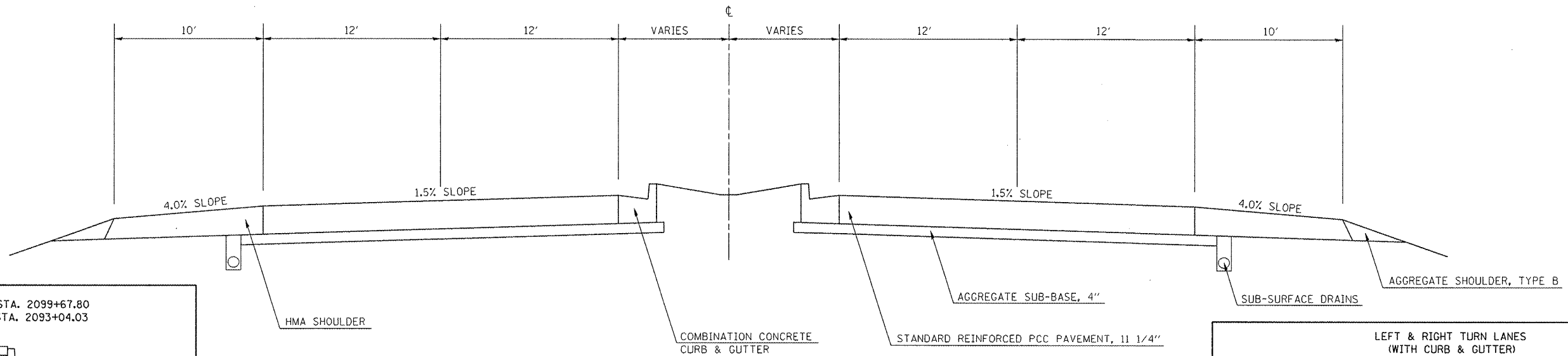
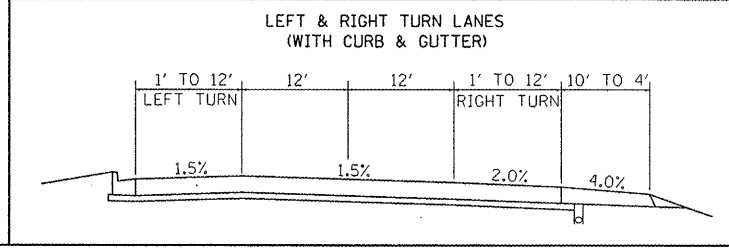


### EXISTING TYPICAL CROSS SECTION ⑨

⑦ STA. 2105+55.00 TO STA. 2093+04.03 ⑩

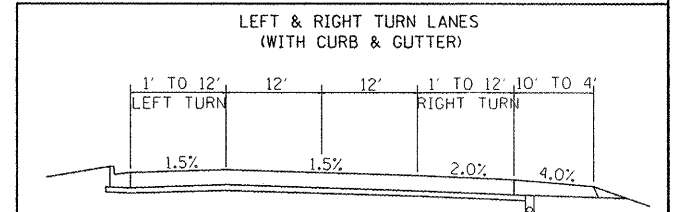
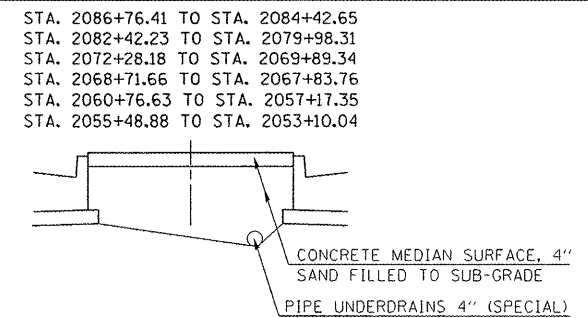
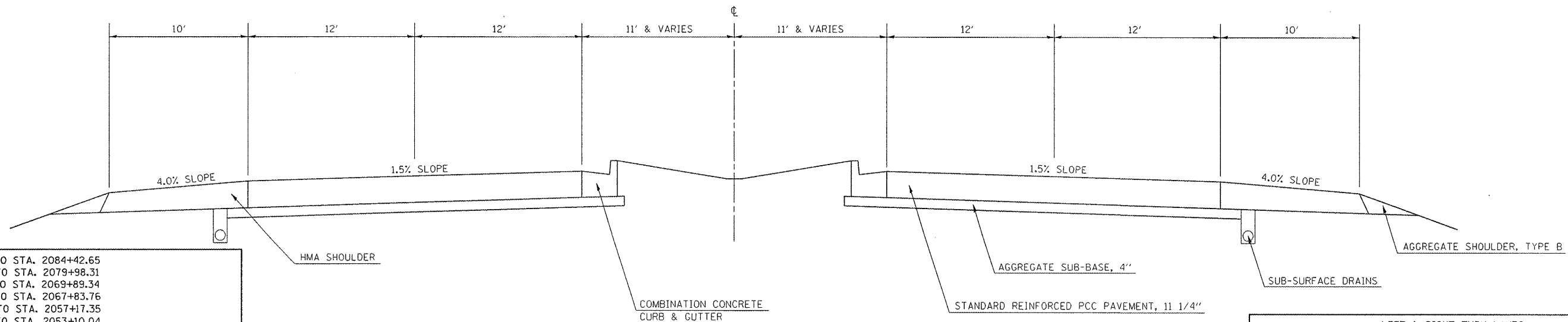


STATION EQUATION  
STA. 364+50.82 (BK) = STA. 2105+55 (AH)



### EXISTING TYPICAL CROSS SECTION ⑩

⑨ STA. 2093+04.03 TO STA. 2049+50.00 ⑫



FILE NAME = c:\projects\570725\70637 typicals.dgn	USER NAME = weger.je	DESIGNED -	REVISED -
		DRAWN -	REVISED -
		CHECKED -	REVISED -
		DATE -	REVISED -

**STATE OF ILLINOIS  
DEPARTMENT OF TRANSPORTATION**

EXISTING TYPICAL SECTIONS				
SCALE:	SHEET NO.	OF	SHEETS	STA. TO STA.

F.A.P. RTE.	SECTION	COUNTY	TOTAL SHEETS	SHEET NO.
730	D5 PATCHING 2008-6	MCCLEAN	34	10
CONTRACT NO. 70725				
FED. ROAD DIST. NO.	ILLINOIS FED. AID PROJECT			