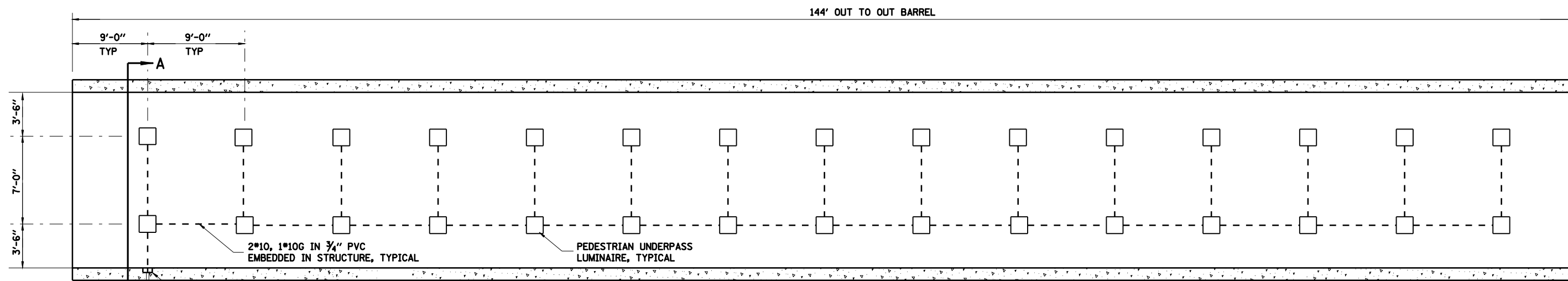
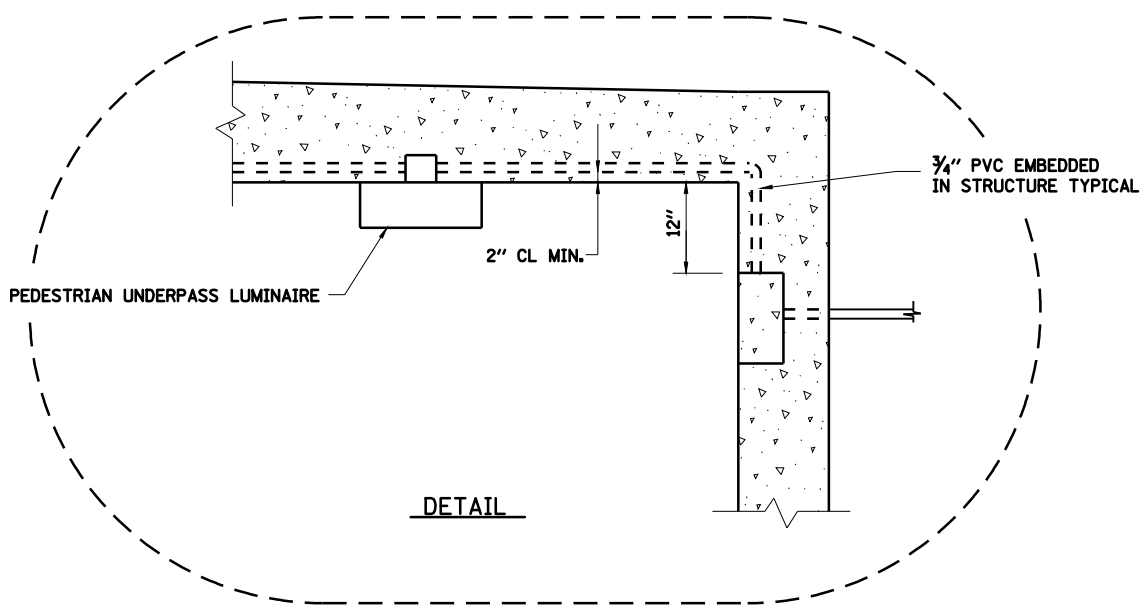


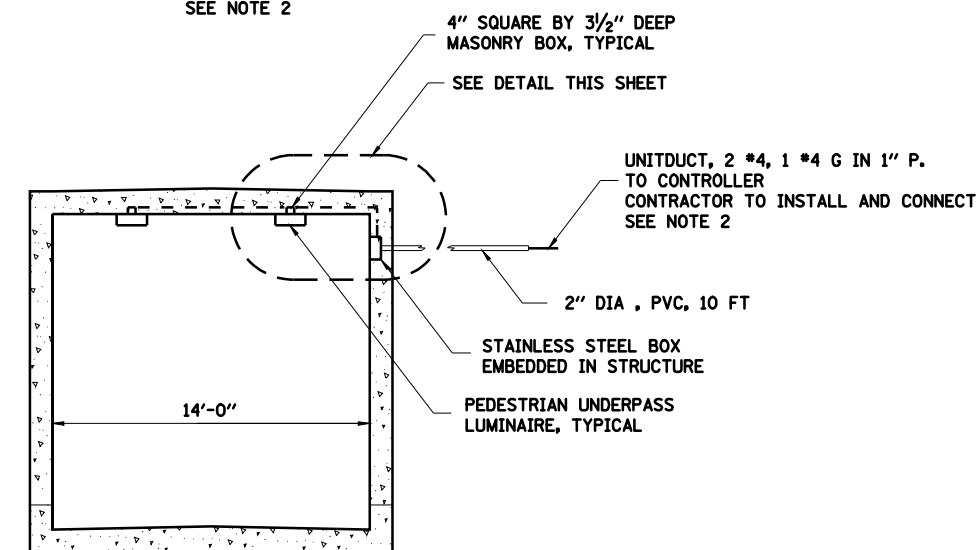
FAU ROUTE	SECTION	COUNTY	TOTAL SHEETS	SHEET NO.
8071	*	SANGAMON	425	284
STA.		TO STA.		
FED. ROAD DIST. NO.		ILLINOIS	FED. AID PROJECT	
(84-9) RS-6; (G)Z *				



BARREL PLAN VIEW



DETAIL



SECTION A-A
(SECTION THRU BOX CULVERT)

NOTE: 2" PVC, 3/4" PVC, WIRING AND MASONRY BOXES TO THE LUMINAIRES SHALL BE INCLUDED IN THE COST OF LUMINAIRES.

- NOTES:**
- CULVERT AND PEDESTRIAN UNDERPASS LIGHTING WORK COMPLETED IN THE PRIOR GRADING AND STRUCTURES CONTRACT.
 - CONTRACTOR TO INSTALL ELECTRICAL SERVICE FROM THE LIGHTING CONTROLLER TO THE STAINLESS STEEL JUNCTION BOX EMBEDDED IN THE STRUCTURE.

REVISIONS	
NAME	DATE

ILLINOIS DEPARTMENT OF TRANSPORTATION
 LIGHTING DETAILS -2
 PEDESTRIAN UNDERPASS
 SECTION
 (84-9) RS-6; (G)Z
 SANGAMON COUNTY, ILLINOIS
 SCALE: VERT. HORIZ.
 DATE: Apr-30-2008 01:57:33PM
 DRAWN BY: CLG
 CHECKED BY: JWM

Apr-30-2008 01:57:33PM
 FILE
 LAYOUT: CLG 09/17/07
 DRAWN: CLG 09/17/07
 REVIEWED: JWM 09/17/07