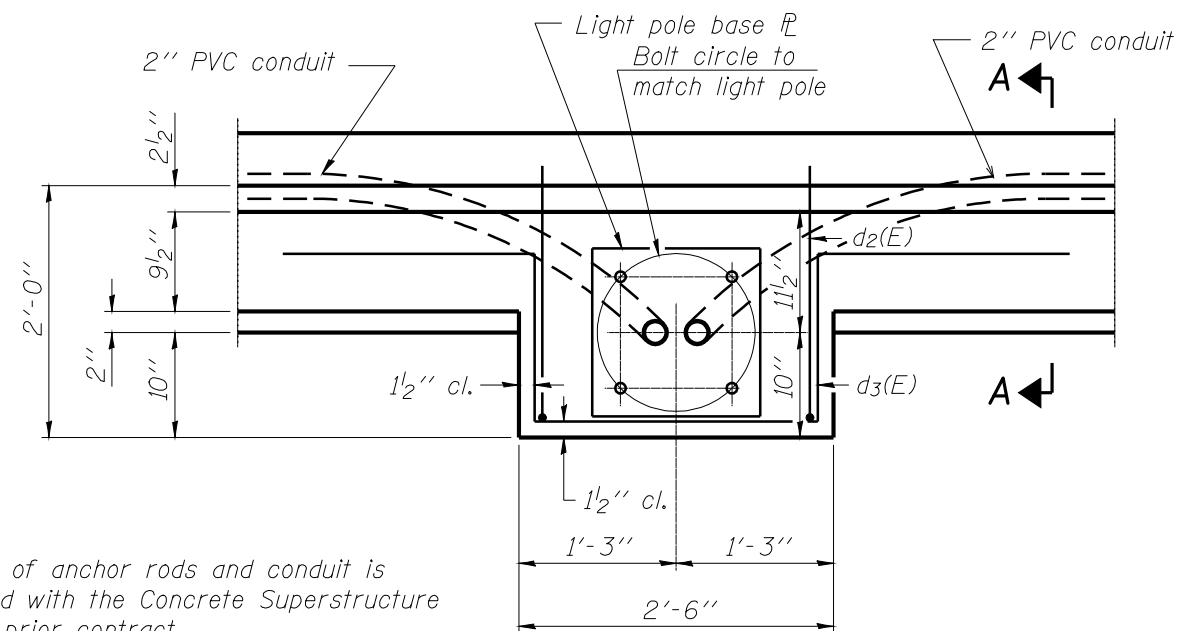
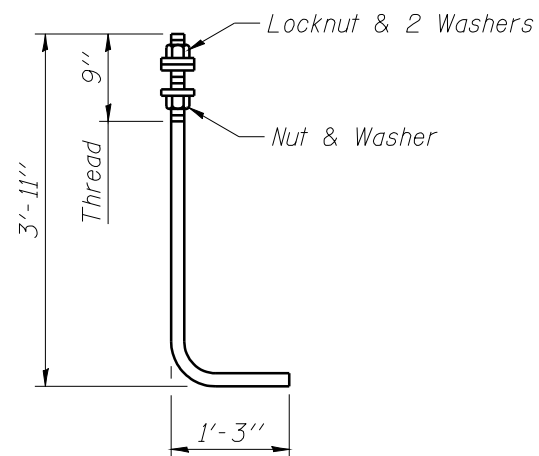


FAU ROUTE	SECTION	COUNTY	TOTAL SHEETS	SHEET NO.
8071	*	SANGAMON	425	287
STA.		TO STA.		
FED. ROAD DIST. NO.		ILLINOIS	FED. AID PROJECT	
(84-9) RS-6; (G)Z *				



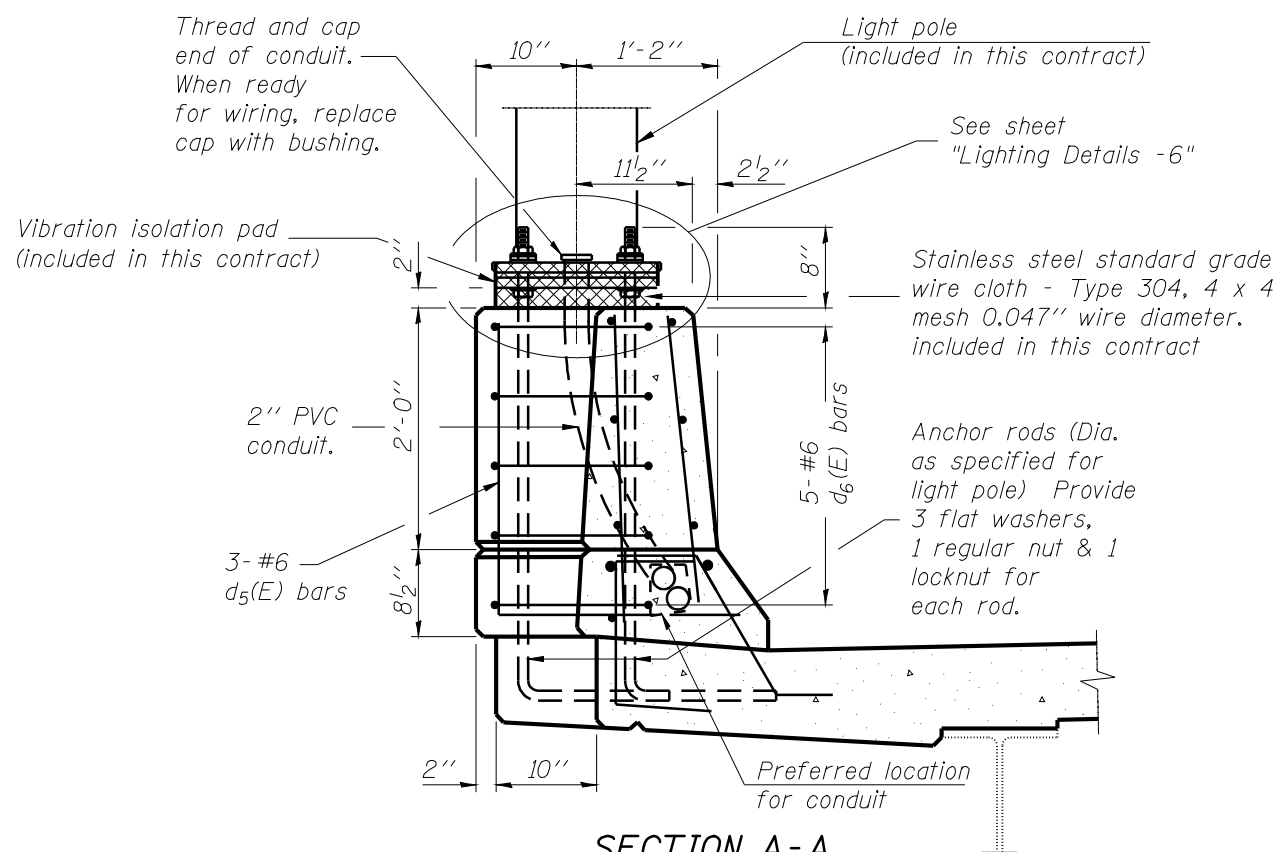
Note:  
Cost of anchor rods and conduit is included with the Concrete Superstructure in the prior contract.

**LIGHT POLE FOUNDATION**  
in bridge parapet

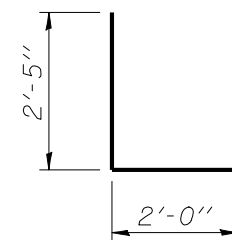


**ANCHOR ROD**

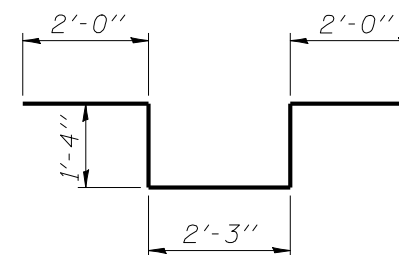
Diameter as specified for light poles.  
(ASTM F 1554 Grade 105)



**SECTION A-A**



**BAR d2(E)**



**BAR d3(E)**

Note:  
Concrete pedestal, reinforcement and anchor rods included in the prior contract

REVISIONS	
NAME	DATE

ILLINOIS DEPARTMENT OF TRANSPORTATION  
LIGHTING DETAILS -5  
MACARTHUR BLVD  
SECTION  
(84-9) RS-6; (G)Z  
SANGAMON COUNTY, ILLINOIS  
SCALE: VERT. HORIZ.  
DATE: Apr-30-2008 01:57:40PM  
DRAWN BY  
CHECKED BY