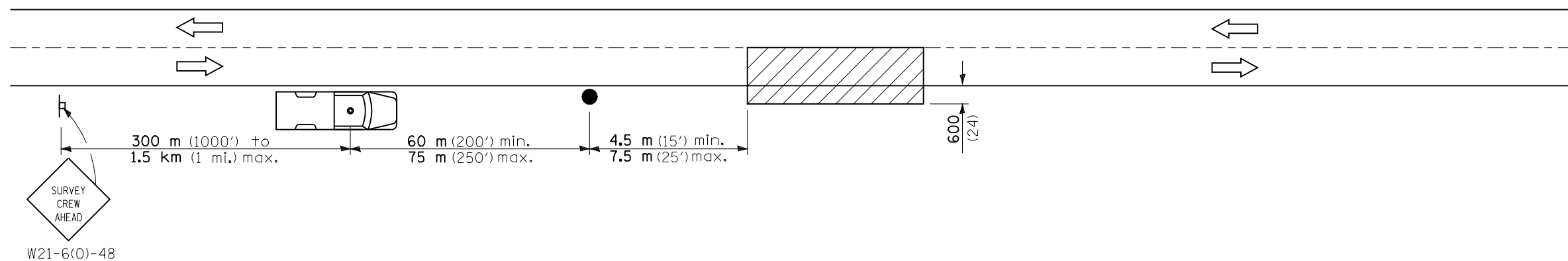
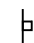


FAU ROUTE	SECTION	COUNTY	TOTAL SHEETS	SHEET NO.
8071	*	SANGAMON	425	292
STA.		TO STA.		
FED. ROAD DIST. NO.		ILLINOIS	FED. AID PROJECT	
(84-9) RS-6; (G)Z *				




SYMBOLS

 Work area

 Sign on portable or permanent support

 Truck with flashing amber light and dual emergency flashers

 Flagger with traffic control sign

TYPICAL APPLICATIONS
Utility operations

REVISIONS	
NAME	DATE

ILLINOIS DEPARTMENT OF TRANSPORTATION
LIGHTING DETAILS -10
NIGHTTIME LIGHTING INSPECTION
LGT017.M32
(84-9) RS-6; (G)Z
SANGAMON COUNTY, ILLINOIS

SCALE: VERT. DRAWN BY
 HORIZ. CHECKED BY
DATE: Apr-30-2008 01:57:52PM

All dimensions are in millimeters (inches) unless otherwise shown.