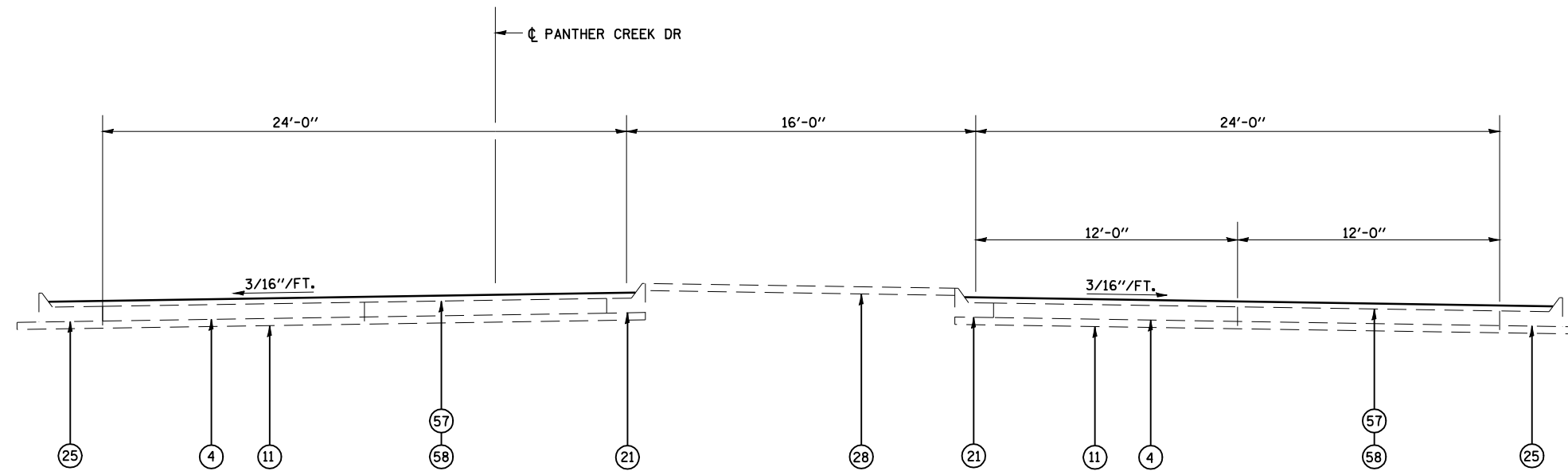


TYPICAL CROSS SECTION
SPAULDING ORCHARD RD
 STA 8+37 TO STA 9+43.75

WOODSIDE RD
 STA 10+56.23 TO STA 11+60



TYPICAL CROSS SECTION
PANTHER CREEK DR
 STA 7+69.31 TO STA 9+44

SEE SHEET 12 FOR LEGEND

CUMMINS ENGINEERING CORPORATION		JOB - 2200													
FILE NAME =		USER NAME = laughlinr1	DESIGNED - NAK	REVISD -											
C:\Projects\d652204\cummins_final\d67289-sh-typical.dgn		FILE - sh-typical.dgn	DRAWN - AJH	REVISD -											
PLOT SCALE = 45.9317' / IN.		CHECKED - NAK	REVISD -												
PLOT DATE = Mar-18-2008 11:32:10AM		DATE - 3/15/2008	REVISD -												
STATE OF ILLINOIS DEPARTMENT OF TRANSPORTATION					TYPICAL CROSS SECTIONS										
SCALE:		SHEET NO.	OF	SHEETS	STA.	TO	STA.			F.A.P. RTE.	SECTION	COUNTY	TOTAL SHEETS	SHEET NO.	
										662	2-2(RS) & 3-1, 2(RS-10, TS-5)	SANGAMON	181	29	
										FED. ROAD DIST. NO.		ILLINOIS FED. AID PROJECT		CONTRACT NO. 72889	