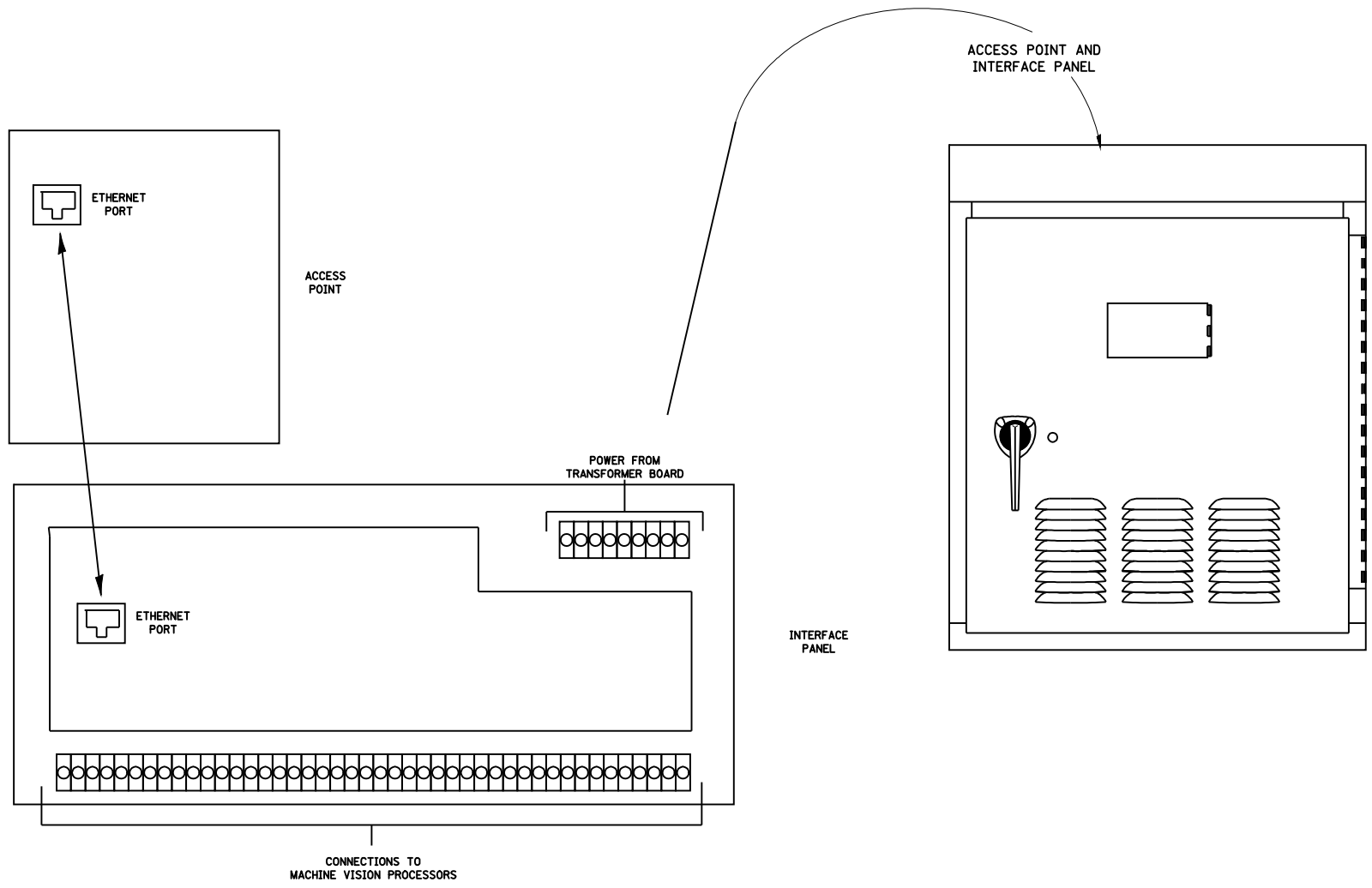
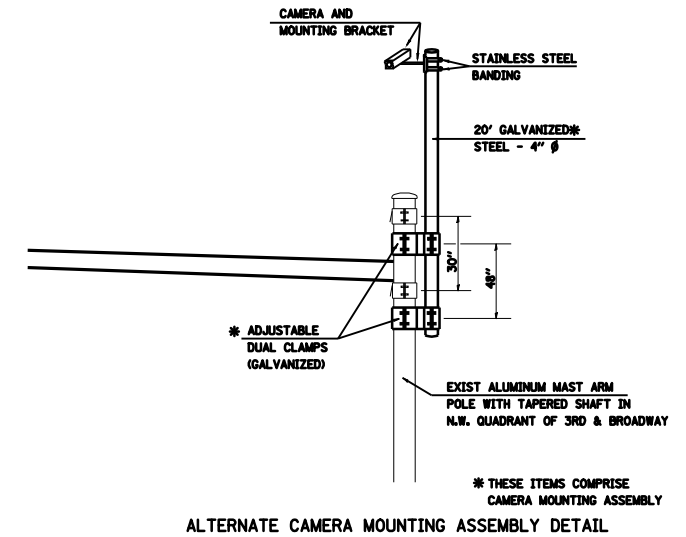
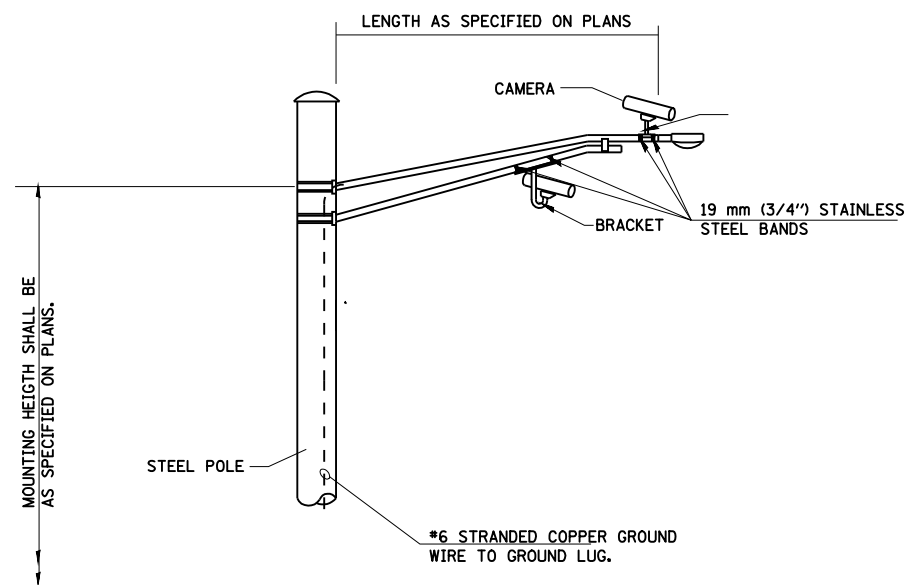


**VIDEO DETECTION SYSTEM INSTALLATION
ARM MOUNTED OR POLE MOUNTED CAMERA**



FILE NAME =	USER NAME = laughlinr1	DESIGNED -	REVISED -
C:\Projects\d652204\cummins_final\d67289-sht-tsl.dgn		DRAWN -	REVISED -
PLOT SCALE = 40.0000 ' / IN.		CHECKED -	REVISED -
PLOT DATE = Mar-18-2008 11:44:03AM		DATE -	REVISED -

**STATE OF ILLINOIS
DEPARTMENT OF TRANSPORTATION**

SCALE:	SHEET NO.	OF SHEETS	STA.	TO STA.
--------	-----------	-----------	------	---------

F.A.P. RTE.	SECTION	COUNTY	TOTAL SHEETS	SHEET NO.
662	2-2(RS) & 3-1, 2(RS-10, TS-5)	SANGAMON	181	139
CONTRACT NO. 72889				
FED. ROAD DIST. NO. ILLINOIS FED. AID PROJECT				