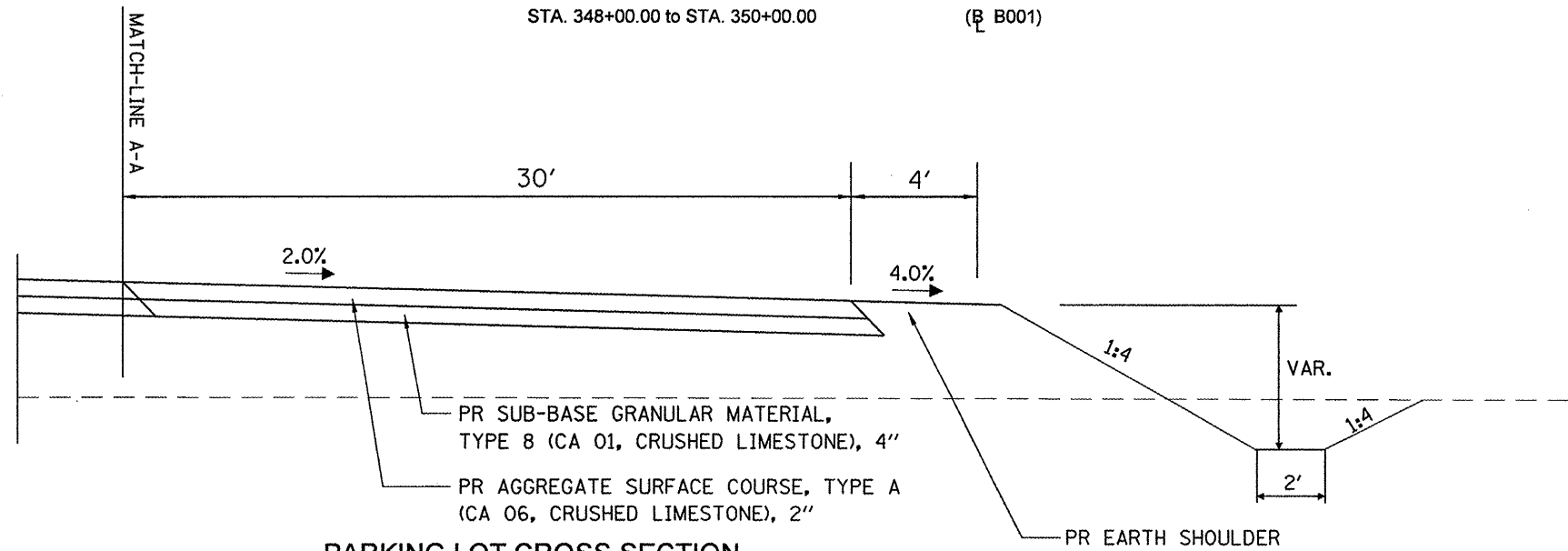


* CONSTRUCT 12' - WIDE SHOULDER INSTEAD OF 4' - WIDE AT THE FOLLOWING LOCATIONS.

- LT STA 26+70.15 TO LT STA 27+50.00 (B A001d)
- LT STA 348+00.00 TO LT STA 350+00.00 (B B001)

TYPICAL CROSS SECTION #1 - ACCESS ROADS

- STA. 500+06.13 to STA. 526+04.36 (B A001)
- STA. 7+50.13 to STA. 9+92.00 (B A001b)
- RT STA. 5013+35.00 to RT STA. 5014+35.00 (B Z001)
- PR PARKING LOT, 45' WIDE (SURFACE WIDTH), 2.0% CROSS SLOPE
- STA. 26+70.15 to STA. 27+50.00 (B A001a)
- STA. 348+00.00 to STA. 350+00.00 (B B001)



PARKING LOT CROSS SECTION

- RT STA. 26+15 TO RT STA 26+80.15 (B A001a)
 - RT STA. 349+10.00 TO RT STA 350+00.00 (B B001)
 - LT STA. 7+86.31 TO LT STA 8+86.31 (B A001b)
- > SAME PARKING LOT

• LAGRANGE WETLAND BANK
 ** D6 WETLAND MITIGATION 3

FILE NAME : C:\Projects\4650305\contract 03\shhtypic	USER NAME = leughlinr1	DESIGNED -	REVISED -
PLT SCALE = 5.0000' / IN.	DRAWN - EJW	REVIS	REVIS
PLOT DATE = Mon-17-2008 12:03:24PM	CHECKED - JCN	REVIS	REVIS
	DATE -	REVIS	REVIS

**STATE OF ILLINOIS
 DEPARTMENT OF TRANSPORTATION**

TYPICAL CROSS SECTIONS				
SCALE:	SHEET NO.	OF SHEETS	STA.	TO STA.

F.A.P. RTE.	SECTION	COUNTY	TOTAL SHEETS	SHEET NO.
•	••	BROWN	174	10
CONTRACT NO. 72968				
FED. ROAD DIST. NO. ILLINOIS FED. AID PROJECT				