

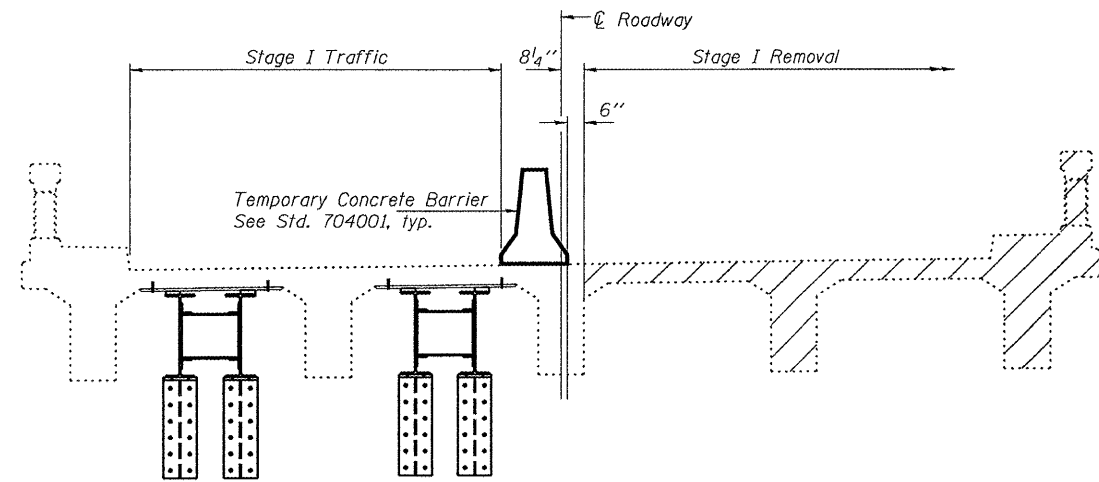
STATE OF ILLINOIS
DEPARTMENT OF TRANSPORTATION

ROUTE NO.	SECTION	COUNTY	TOTAL SHEETS	SHEET NO.
IL 97		SANGAMON	29	15
FED. ROAD DIST. NO. 7	ILLINOIS	FED. AID PROJECT		

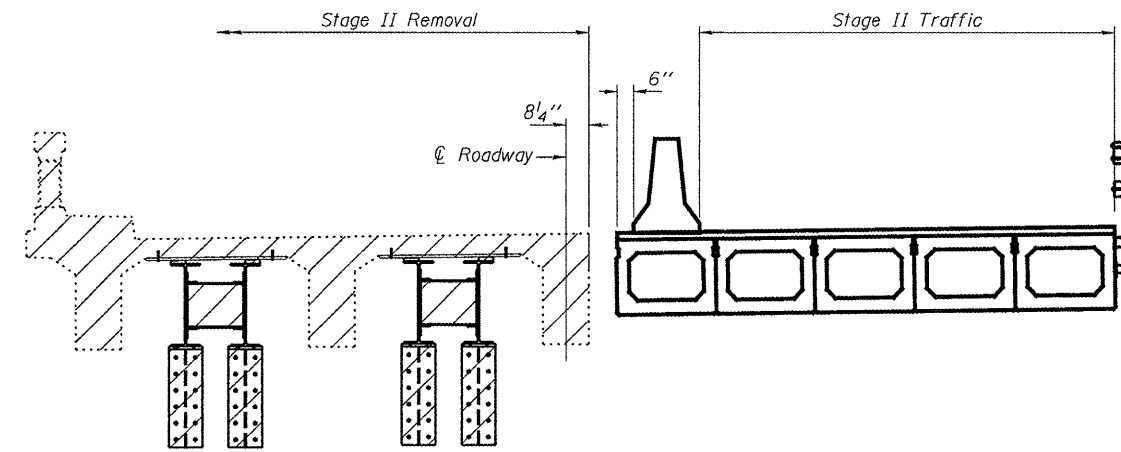
SHEET NO. 2

8 SHEETS

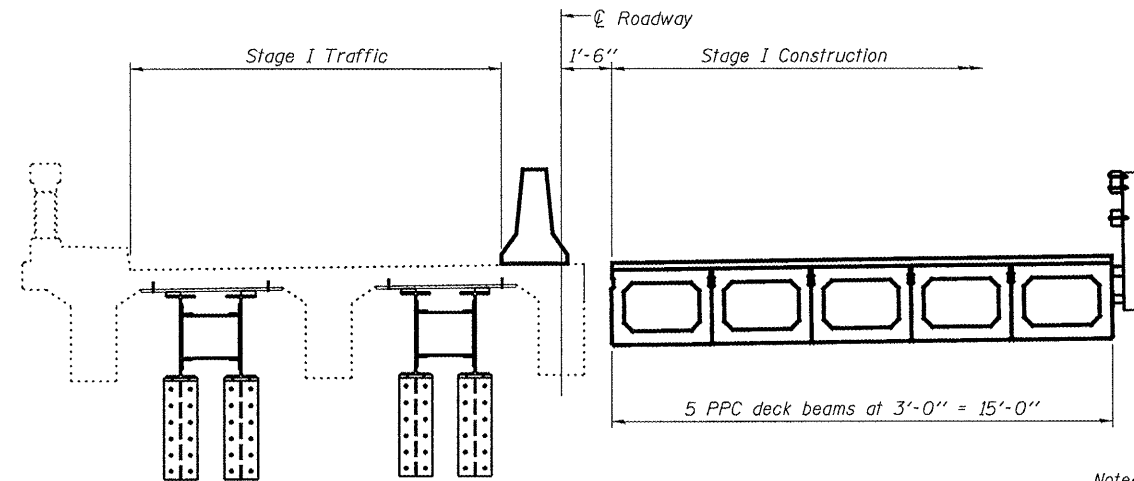
Contract Number: T2B70



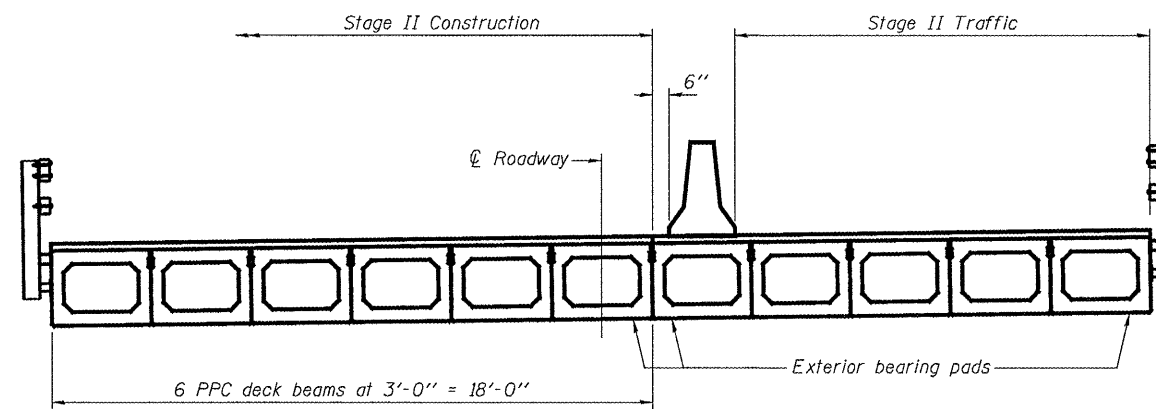
STAGE I REMOVAL



STAGE II REMOVAL



STAGE I CONSTRUCTION



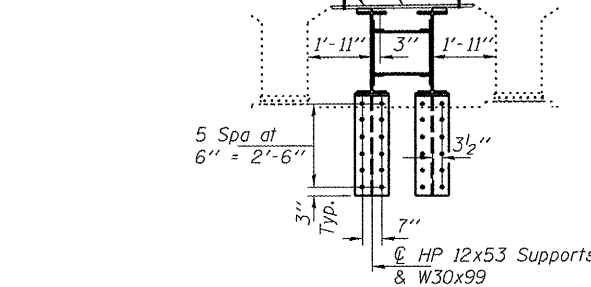
STAGE II CONSTRUCTION

Note:
All views are looking West.
Hatched areas indicate Removal.
After removal, anchor bolts for
HP sections to be cut flush with
wall and sealed. Typ.

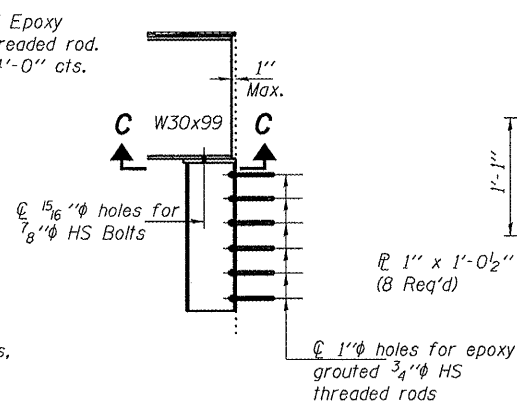
1" x 4'-1 1/2" Plywood. Cost
included with Erecting
Structural Steel.

1" x 6" x 12" Shim Pl. placed
at 3'-0" cts. Add additional
shims as necessary. Tack
weld to beam.

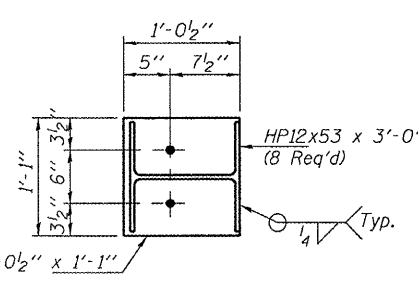
5/8" φ x 5" Epoxy
grouted threaded rod.
Place on 4'-0" cts.



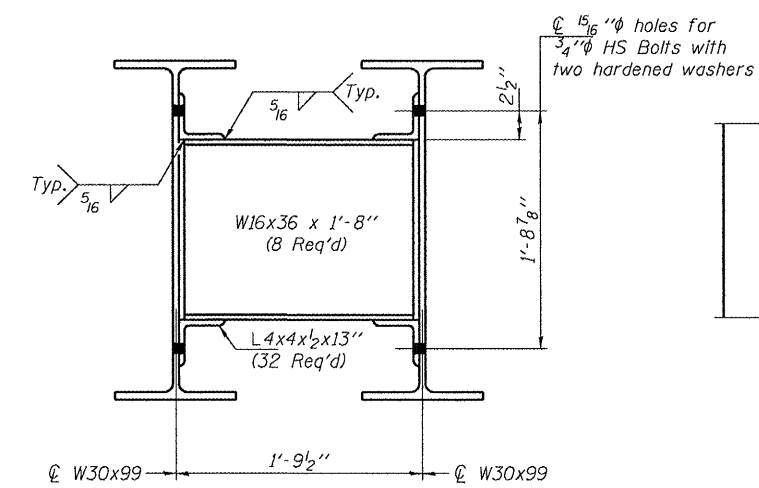
SECTION A-A



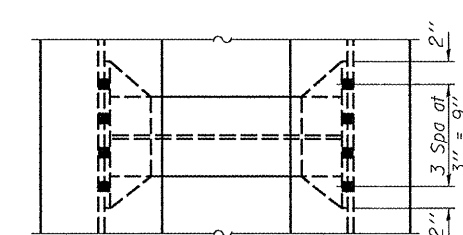
SECTION B-B



SECTION C-C



DIAPHRAGM ELEVATION



DIAPHRAGM PLAN

STAGING DETAILS
IL. 97 OVER PRAIRIE CREEK
SANGAMON COUNTY
SN 084-0046

DESIGNED	VHV
CHECKED	ATH
DRAWN	baliva
CHECKED	VHV ATH

APRIL 30, 2008
EXAMINED *Carl P. ...*
PASSED *Ralph E. Anderson*
ENGINEER OF STRUCTURAL SERVICES
ENGINEER OF BRIDGES AND STRUCTURES