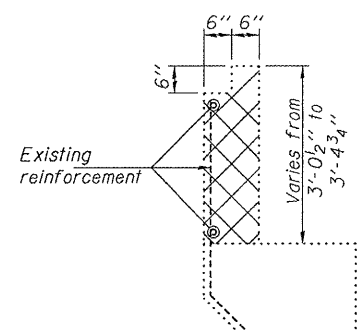


STATE OF ILLINOIS
DEPARTMENT OF TRANSPORTATION

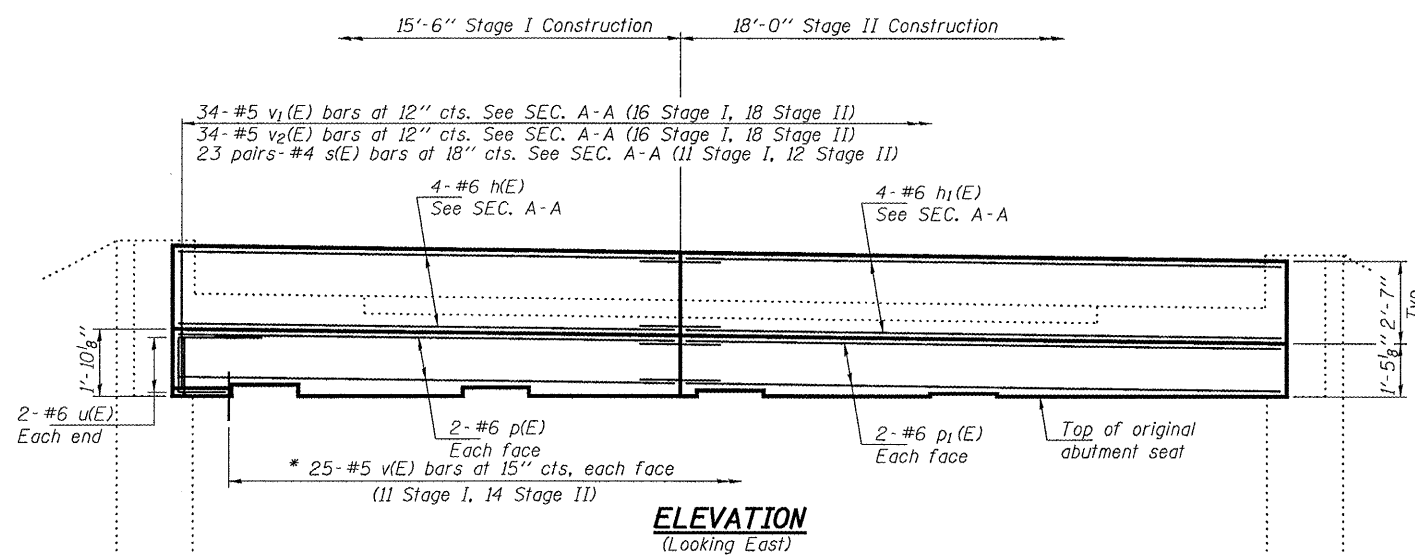
ROUTE NO.	SECTION	COUNTY	TOTAL SHEETS	SHEET NO.
IL 97		SANGAMON	29	19
FED. ROAD DIST. NO. 7	ILLINOIS	FED. AID PROJECT-		

SHEET NO. 6
8 SHEETS

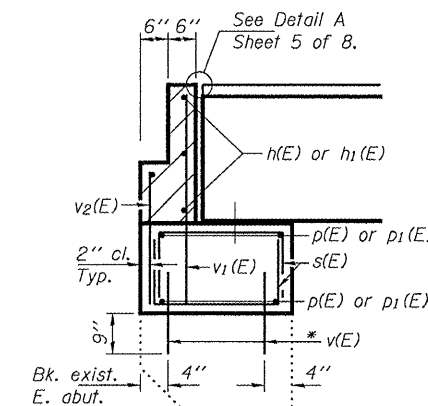
Contract Number: 72B70



SEC. THRU EXIST. ABUT.

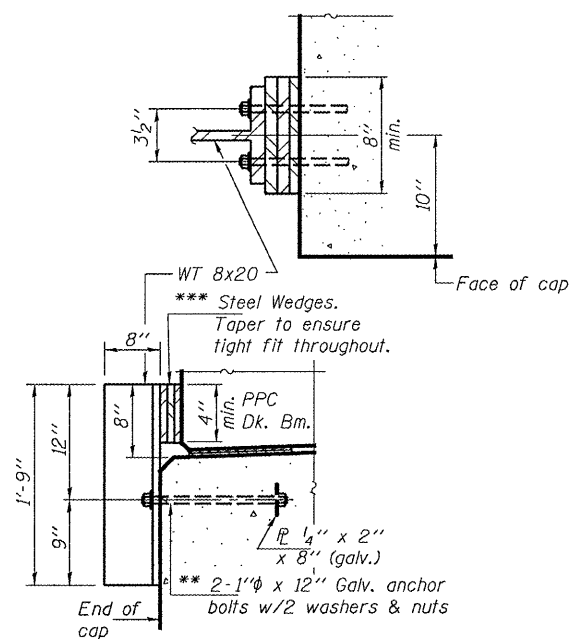


ELEVATION
(Looking East)



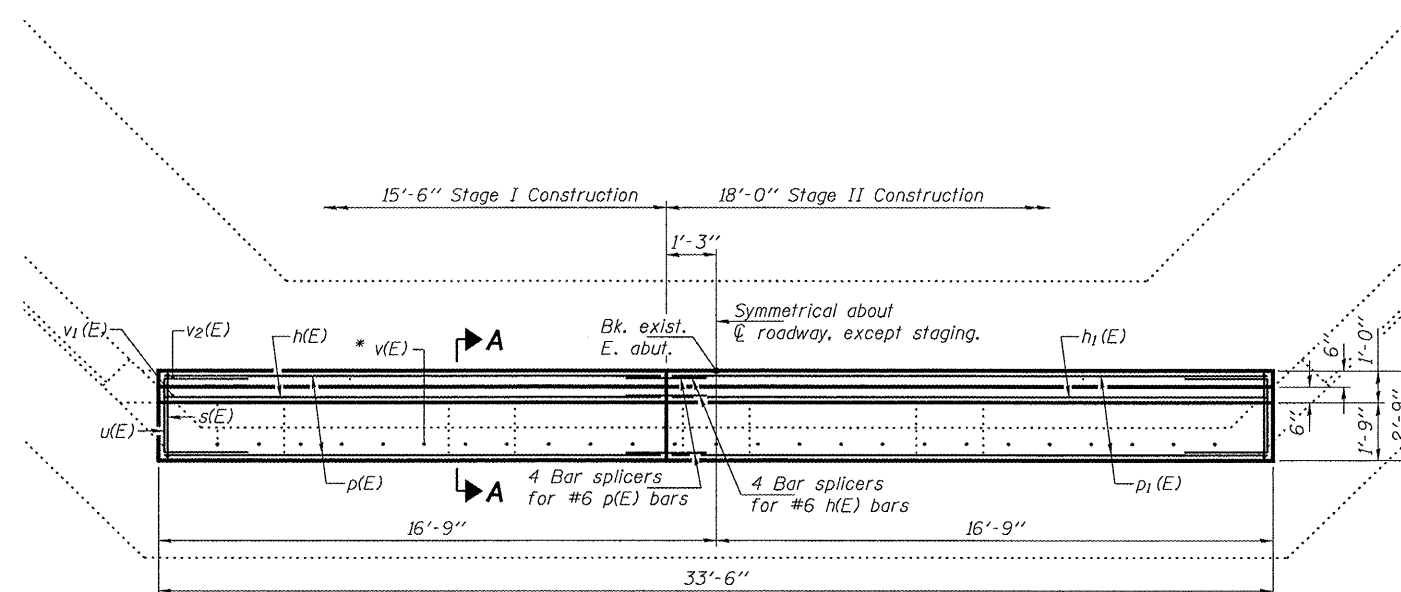
SECTION A-A

* Epoxy grout v(E) bars in 9" min. holes according to Article 584 of the Standard Specifications.

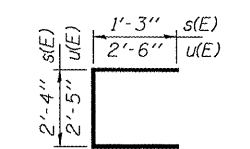


RETAINER

** Anchor bolts may be cast into the masonry or approved threaded rod may be placed in drilled holes and grouted in place. Cost of retainer and accessories are included with Erecting Precast Prestressed Concrete Deck Beams.
*** Wedges to be removed after overlay is placed.



PLAN



BARS s(E) & u(E)

BILL OF MATERIAL

Bar	No.	Size	Length	Shape
h(E)	4	#6	15'-2"	—
h1(E)	4	#6	17'-8"	—
p(E)	4	#6	15'-2"	—
p1(E)	4	#6	17'-8"	—
s(E)	46	#4	4'-10"	□
u(E)	4	#6	7'-5"	□
v(E)	50	#5	1'-6"	—
v1(E)	34	#5	3'-6"	—
v2(E)	34	#5	2'-0"	—
Concrete Removal			Cu. Yd.	3.7
Concrete Structures			Cu. Yd.	5.6
Concrete Superstructure			Cu. Yd.	2.4
Reinforcement Bars, Epoxy Coated			Pound	860

Notes:
Hatched area to be poured after beams are in place. Cost of concrete included with Concrete Superstructure.
Cross hatched area indicates Concrete Removal.
All edges shall have standard 3/4" chamfers except as noted.
Removal of concrete between T-girder stems at abutments is included with Removal of Existing Superstructures.

EAST ABUTMENT
IL. 97 OVER PRAIRIE CREEK
SANGAMON COUNTY
SN 084-0046

DESIGNED	VHV
CHECKED	ATH
DRAWN	baiva
CHECKED	VHV ATH

APRIL 30, 2008
EXAMINED *Carl Koway*
ENGINEER OF STRUCTURAL SERVICES
PASSED *Ralph E. Anderson*
ENGINEER OF BRIDGES AND STRUCTURES