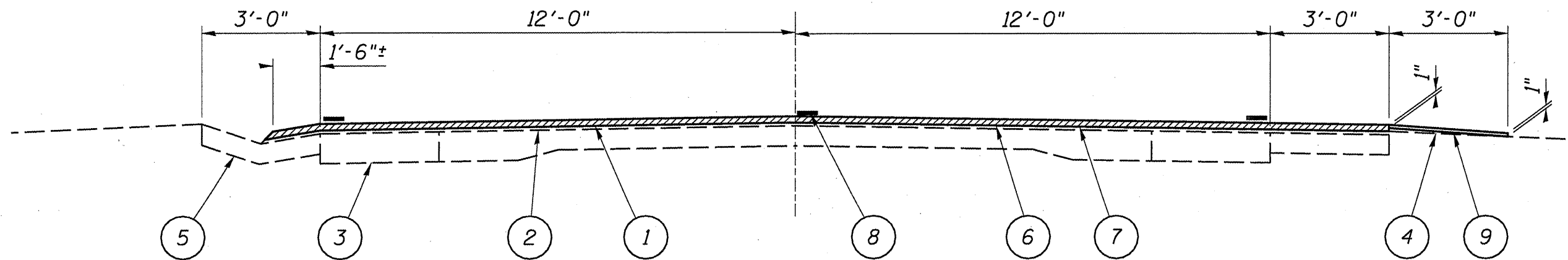


STA. 10+38 TO 22+35
STA. 26+00 TO 35+75



STA. 22+35 TO 26+00

LEGEND

- 1 - EXIST. P.C.C. PAVEMENT
- 2 - EXIST. H.M.A. SURFACE
- 3 - EXIST. H.M.A. WIDENING
- 4 - EXIST. AGG. SHOULDER
- 5 - EXIST. CONC. GUTTER
- 6 - PROP. H.M.A. SURFACE COURSE, MIX D, N50 2"
- 7 - PROP. H.M.A. SURFACE REMOVAL 2"
- 8 - PROP. PAINT PAVEMENT MARKING - LINE 5"
- 9 - PROP. AGG. SHOULDER, TYPE A

TYPICALS
FAP 317 (US 24)
SECTION 11RS-3
SCHUYLER COUNTY