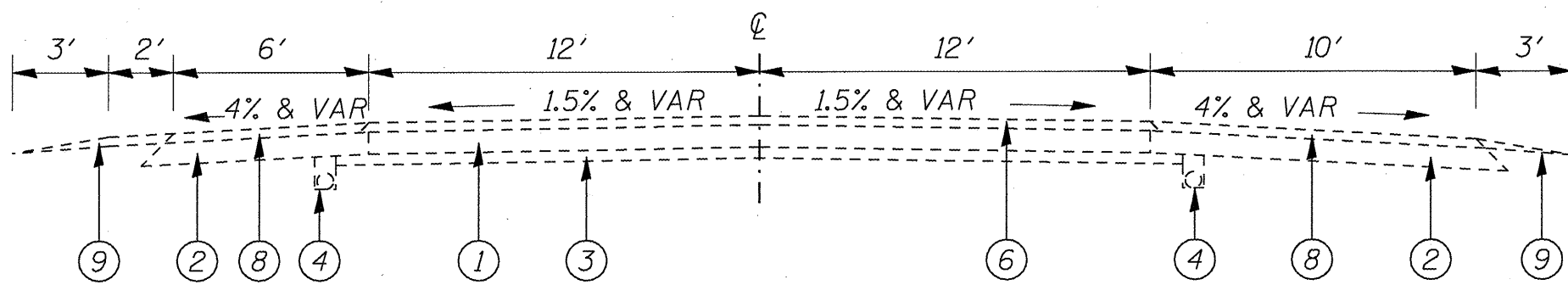


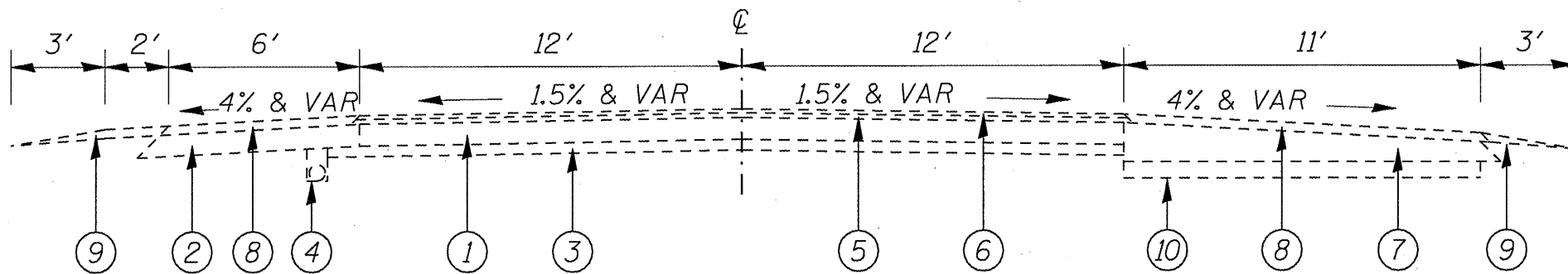
I-55 SB LANES (LOOKING SOUTH)

STA 222+345 TO STA 227+704



I-55 SB LANES (LOOKING SOUTH)

STA 214+035 TO STA 215+713



I-55 SB LANES (LOOKING SOUTH)

STA 215+713 TO STA 222+345
STA 227+704 TO STA 227+976

- ① EXISTING CRC PAVEMENT, 9"
- ② EXISTING STABILIZED SHOULDER, 8"
- ③ EXISTING STABILIZED SUB-BASE, 4"
- ④ EXISTING PIPE UNDERDRAIN
- ⑤ EXISTING HMA BINDER, 1-3/4"
- ⑥ EXISTING HMA SURFACE, 1-1/2"
- ⑦ EXISTING HMA SHOULDER, VARIABLE DEPTH
- ⑧ EXISTING HMA SHOULDER OVERLAY
- ⑨ EXISTING AGGREGATE SHOULDER
- ⑩ EXISTING PAVEMENT (BURIED)

TYPICAL SECTIONS
FAI 55 (I-55)
D6 PATCHING 2008-1
LOGAN COUNTY