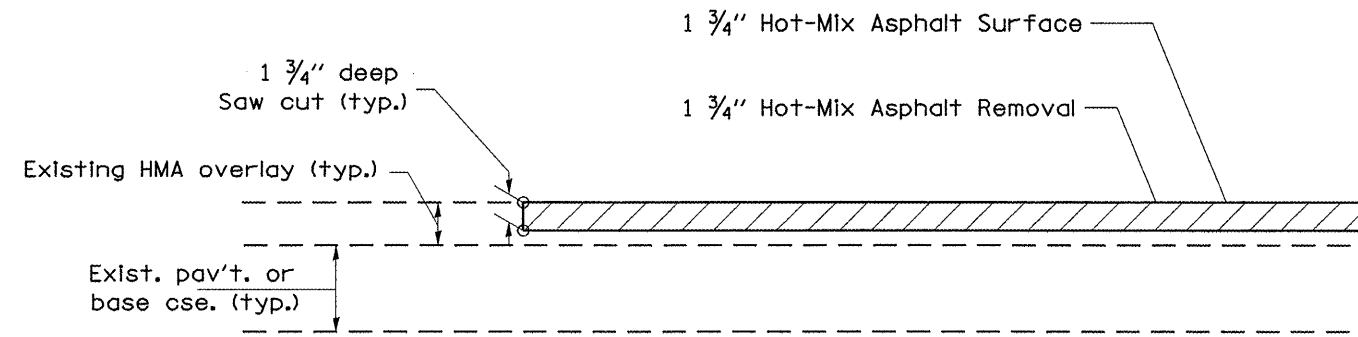


F.A.I. RTE.	SECTION	COUNTY	TOTAL SHEETS	SHEET NO.
55	*	MACOUPIN	18	17
STA.		TO STA.		
FED. ROAD DIST. NO.	ILLINOIS	FED. AID PROJECT		

• D6 INTERMITTENT RS 2009



BUTT JOINT DETAIL

NOTES:

THE SAW CUTS FOR BUTT JOINTS SHALL BE INCLUDED IN THE COST OF HOT-MIX ASPHALT SURFACE REMOVAL 1 3/4".

REVISIONS	
NAME	DATE

ILLINOIS DEPARTMENT OF TRANSPORTATION
BUTT JOINT DETAIL
 FAI 55
 SECTION D6 INTERMITTENT RS 2009
 MACOUPIN COUNTY
 SCALE: NOT DRAWN TO SCALE DRAWN BY
 DATE CHECKED BY