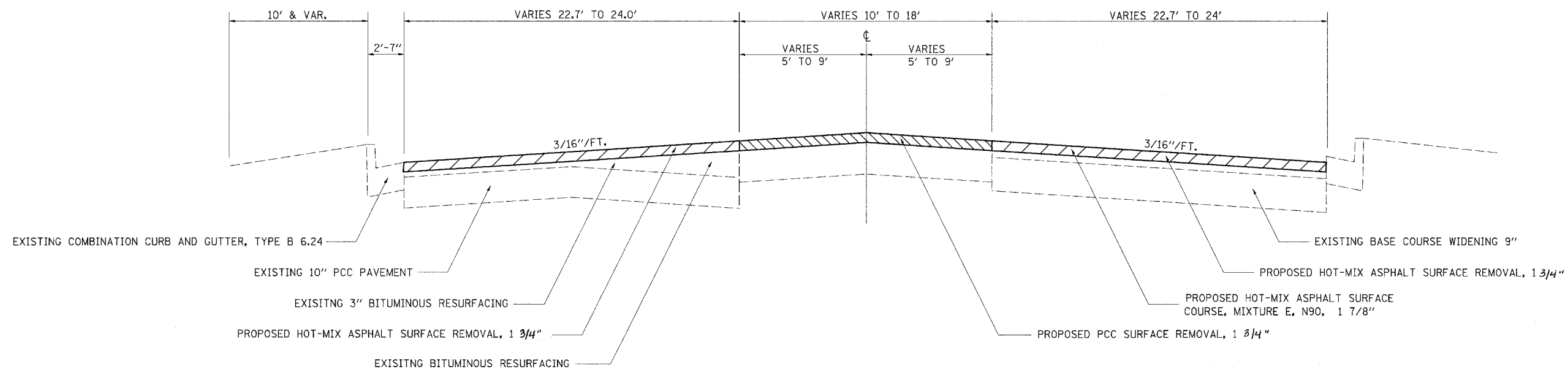


ILL ROUTE 33
STATION 1188+34 TO STATION 1191+20



ILL ROUTE 33
STATION 1191+20.00 TO STATION 1192+50

FILE NAME =	USER NAME = swartzw	DESIGNED -	REVISED -	STATE OF ILLINOIS DEPARTMENT OF TRANSPORTATION	TYPICAL CROSS SECTIONS			F.A.P. RTE.	SECTION	COUNTY	TOTAL SHEETS	SHEET NO.
cr\projects\74135d\shht\typical_74135.dgn		DRAWN -	REVISED -		774	(107Z)RS-3	EFFINGHAM	18	4			
PLOT SCALE = 20.0000' / IN.		CHECKED -	REVISED -		CONTRACT NO. 74135							
PLOT DATE = 3/21/2008		DATE -	REVISED -		SCALE: NA	SHEET NO. 1 OF 2 SHEETS	STA. TO STA.	FED. ROAD DIST. NO.	ILLINOIS FED. AID PROJECT			