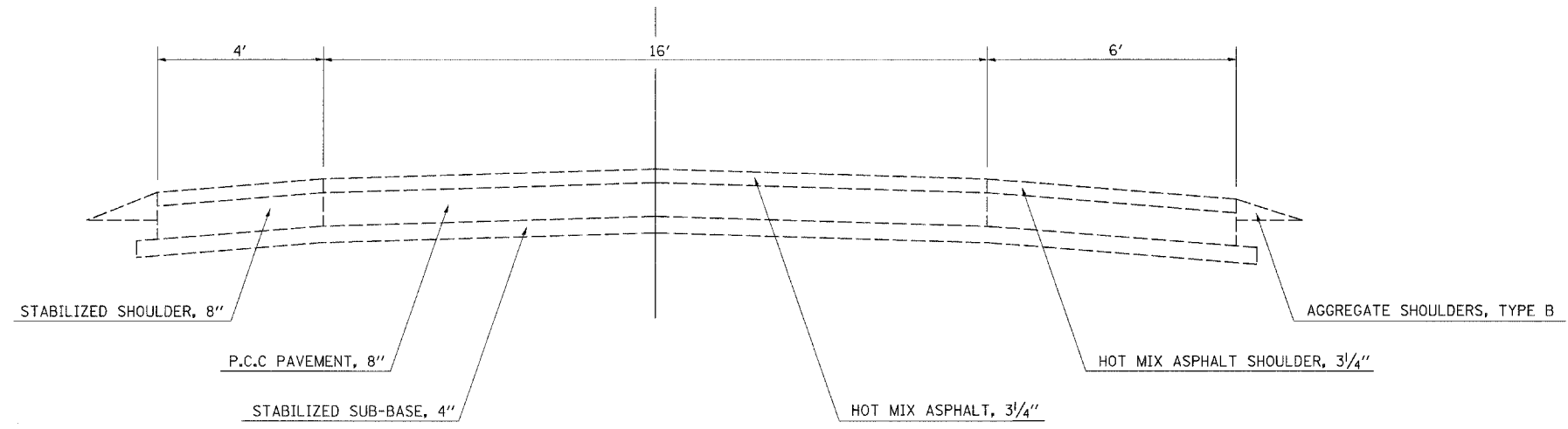


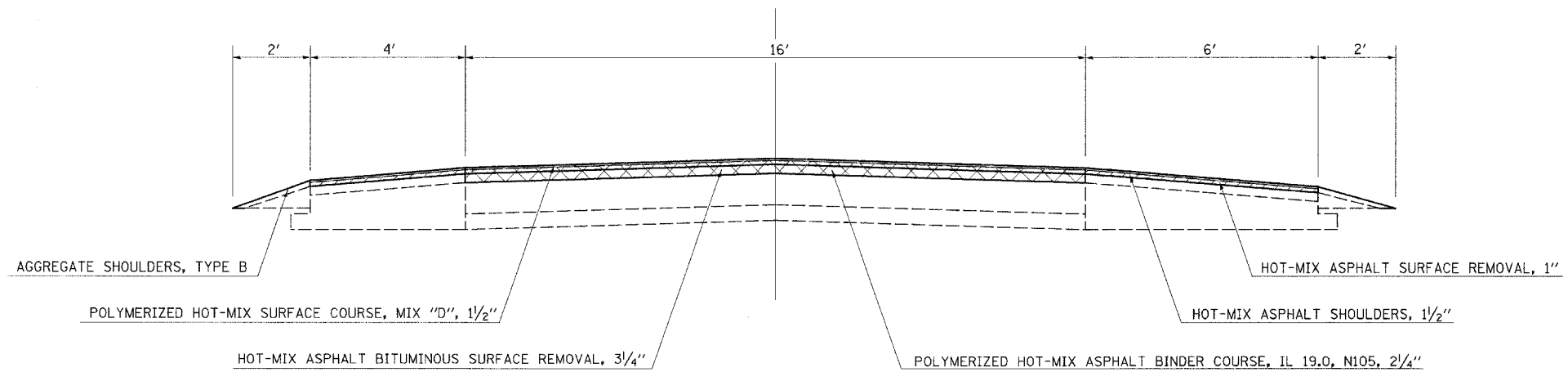
EXISTING TYPICAL CROSS SECTION

REST AREA RAMPS



PROPOSED TYPICAL CROSS SECTION

REST AREA RAMPS



FILE NAME =	USER NAME = swartzw	DESIGNED -	REVISED -
c:\projects\74171d\shittypicals_74171.dgn		DRAWN -	REVISED -
	PLOT SCALE = 20.0000' / IN.	CHECKED -	REVISED -
	PLOT DATE = 3/20/2008	DATE -	REVISED -

**STATE OF ILLINOIS
DEPARTMENT OF TRANSPORTATION**

SCALE: NA	SHEET NO. 2 OF 3 SHEETS	STA.	TO STA.
-----------	-------------------------	------	---------

F.A.I. RTE.	SECTION	COUNTY	TOTAL SHEETS	SHE NO.
72	(58,74)(66,67)RS-1	MACON	88	7
FED. ROAD DIST. NO.		ILLINOIS FED. AID PROJECT		
CONTRACT NO. 741				