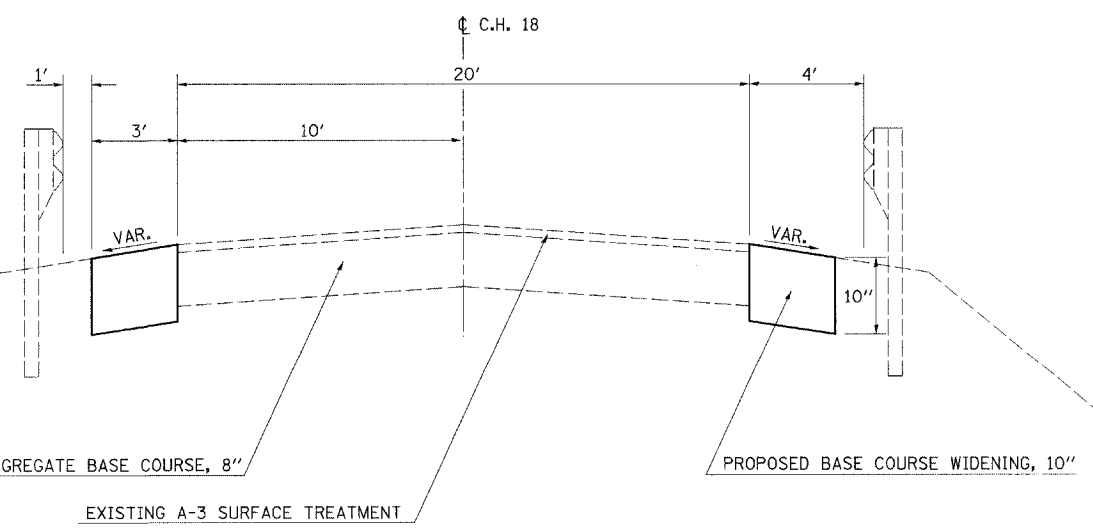
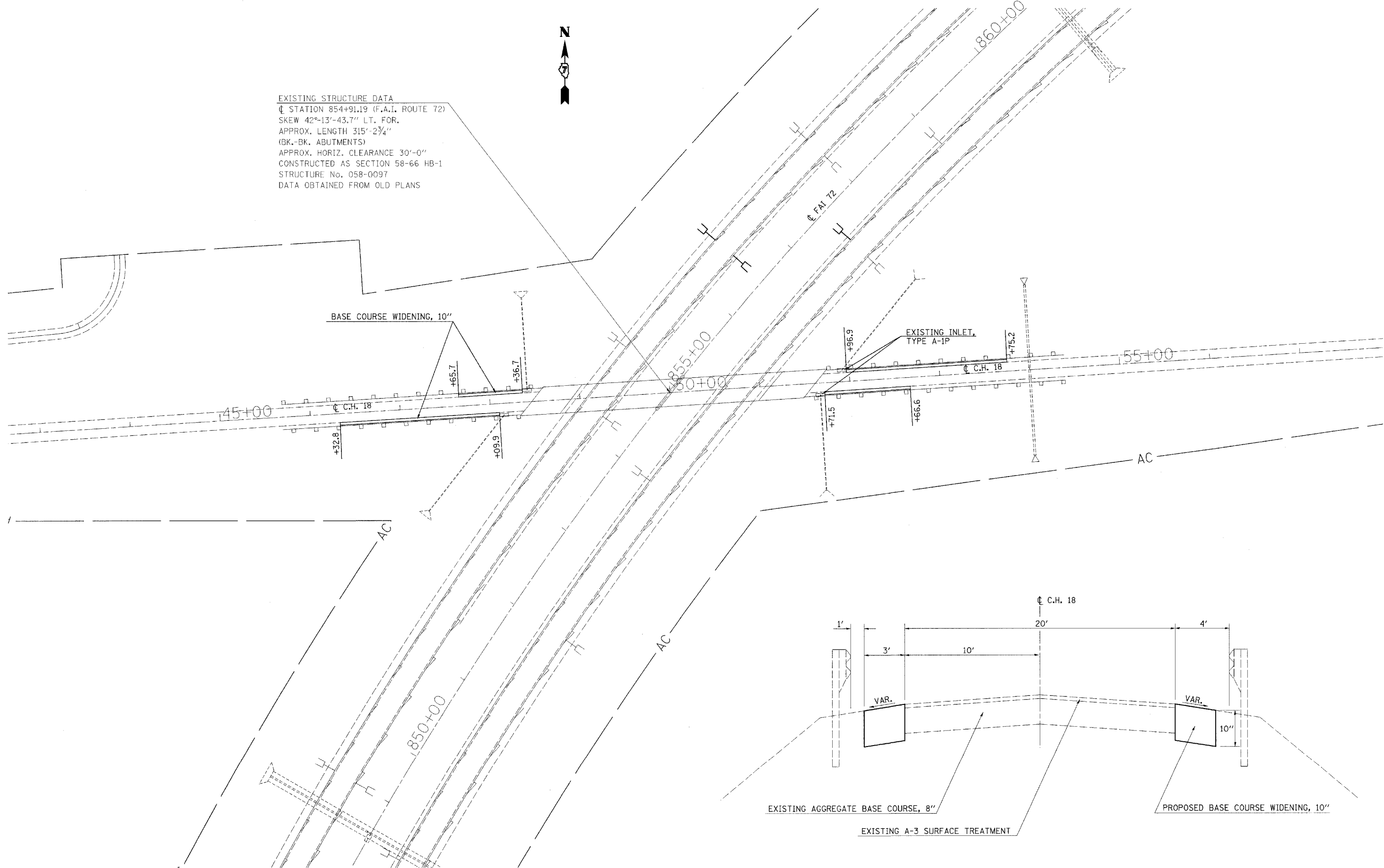


EXISTING STRUCTURE DATA
 STATION 854+91.19 (F.A.I. ROUTE 72)
 SKEW 42°-13'-43.7" LT. FOR.
 APPROX. LENGTH 315'-2 3/4"
 (BK.-BK. ABUTMENTS)
 APPROX. HORIZ. CLEARANCE 30'-0"
 CONSTRUCTED AS SECTION 58-66 HB-1
 STRUCTURE No. 058-0097
 DATA OBTAINED FROM OLD PLANS



FILE NAME = c:\projects\7417\id\ah\plan.7417\dgn	USER NAME = swartzrw	DESIGNED -	REVISED -
		DRAWN -	REVISED -
	PLOT SCALE = 50.0000' / IN.	CHECKED -	REVISED -
	PLOT DATE = 3/28/2008	DATE -	REVISED -

**STATE OF ILLINOIS
 DEPARTMENT OF TRANSPORTATION**

C.H. 18

SCALE: 50' 1" SHEET NO. 9 OF 9 SHEETS STA. TO STA.

F.A.I. RTE.	SECTION	COUNTY	TOTAL SHEETS	SH N
72	(58,74)(66,67)RS-1	MACON	88	2
CONTRACT NO. 741				
FED. ROAD DIST. NO. ILLINOIS FED. AID PROJECT				