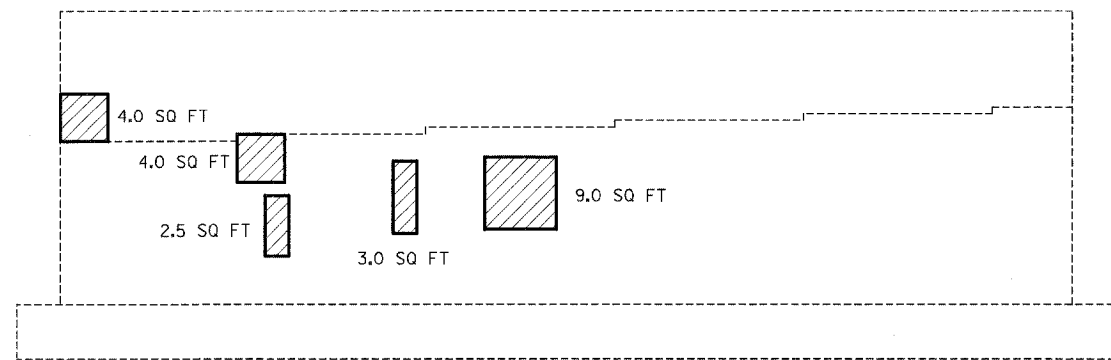
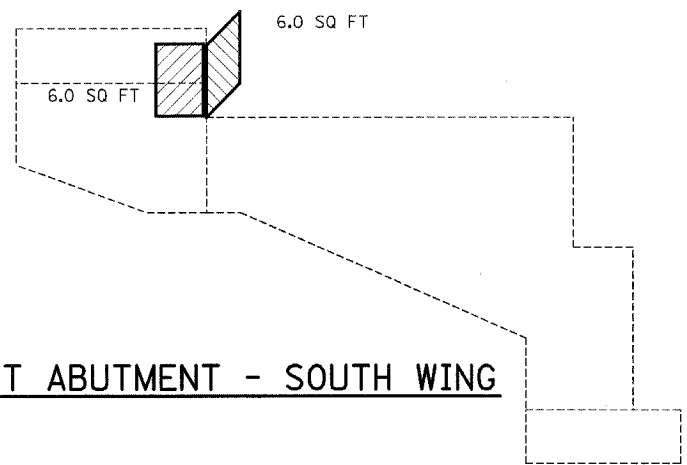


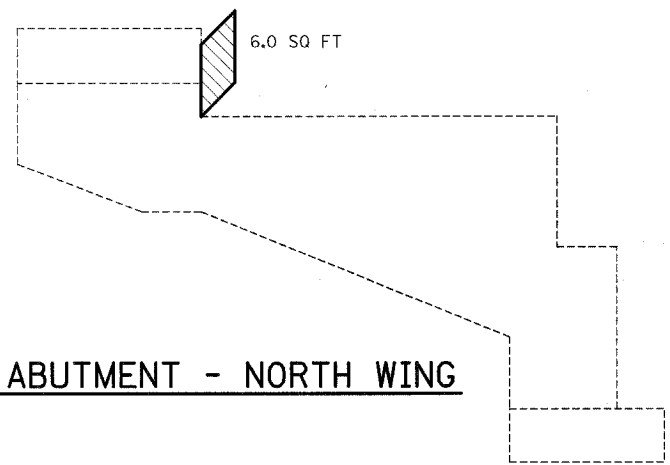
WEST ABUTMENT



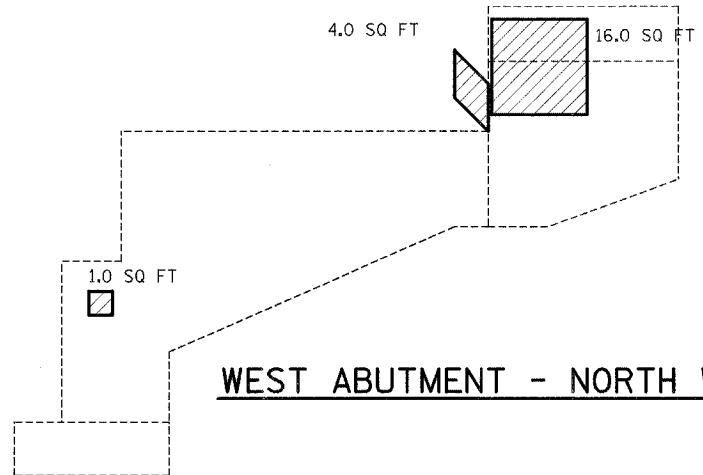
EAST ABUTMENT



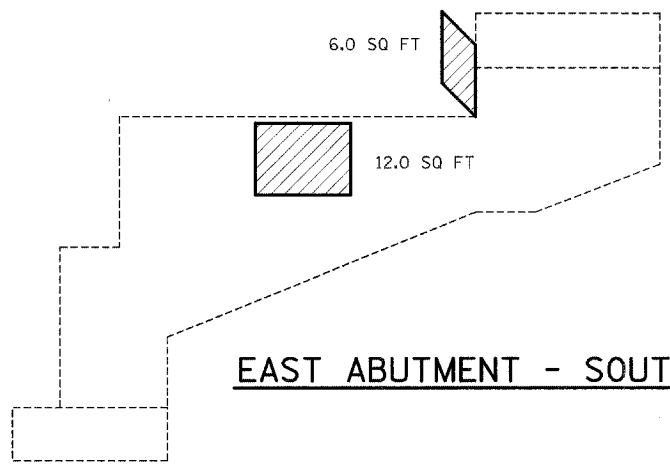
WEST ABUTMENT - SOUTH WING



EAST ABUTMENT - NORTH WING



WEST ABUTMENT - NORTH WING



EAST ABUTMENT - SOUTH WING



Structural Repair of Concrete (Depth < 5")

NOTE: QUANTITIES ARE ESTIMATED. ACTUAL QUANTITIES TO BE DETERMINED BY THE RESIDENT ENGINEER.

FILE NAME = c:\projects\74171d\karenbridge.dgn	USER NAME = swartzw	DESIGNED -	REVISED -
		DRAWN -	REVISED -
	PLOT SCALE = 20,0000' / IN.	CHECKED -	REVISED -
	PLOT DATE = 3/28/2008	DATE -	REVISED -

**STATE OF ILLINOIS
DEPARTMENT OF TRANSPORTATION**

STRUCTURAL REPAIR - SUBSTRUCTURE 058-0094 (WB)	
SCALE: N/A	SHEET NO. 11 OF 52 SHEETS STA. TO STA.

F.A.I. RTE. 72	SECTION (58,74X66,67)RS-1	COUNTY MACON	TOTAL SHEETS 88	SHEET NO. 52
FED. ROAD DIST. NO. ILLINOIS FED. AID PROJECT			CONTRACT NO. 741	