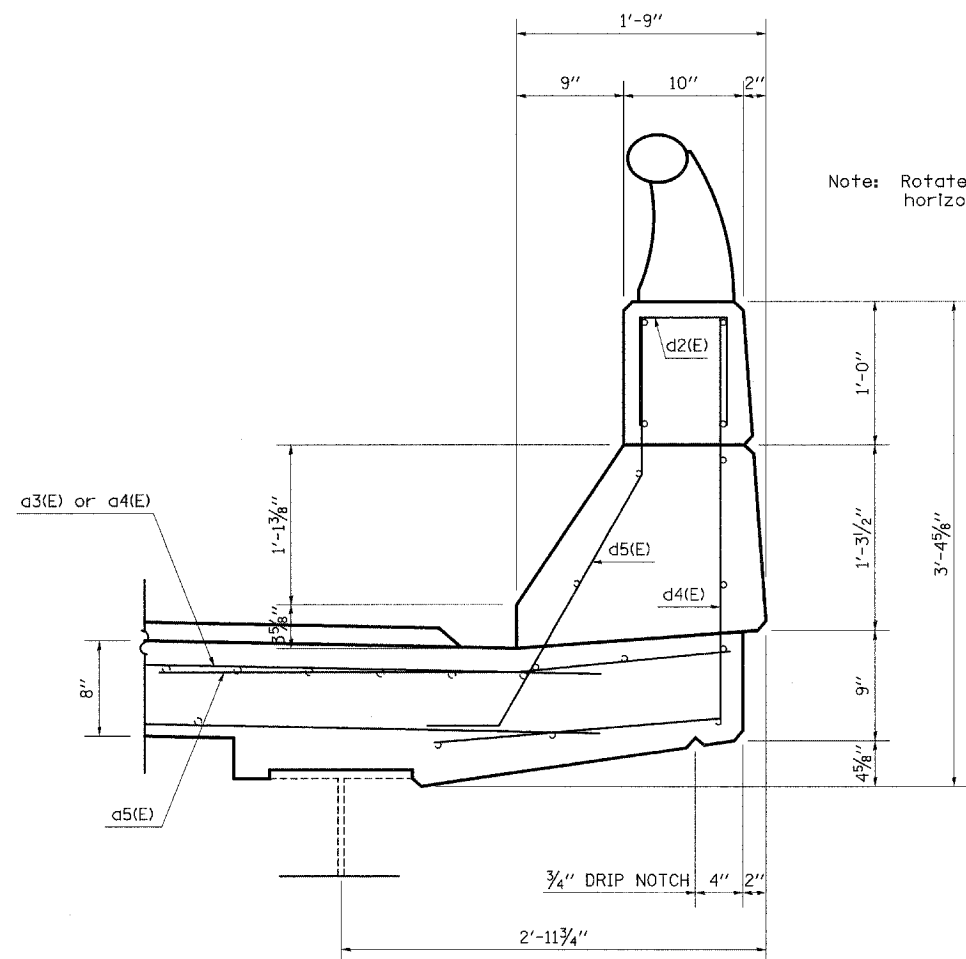


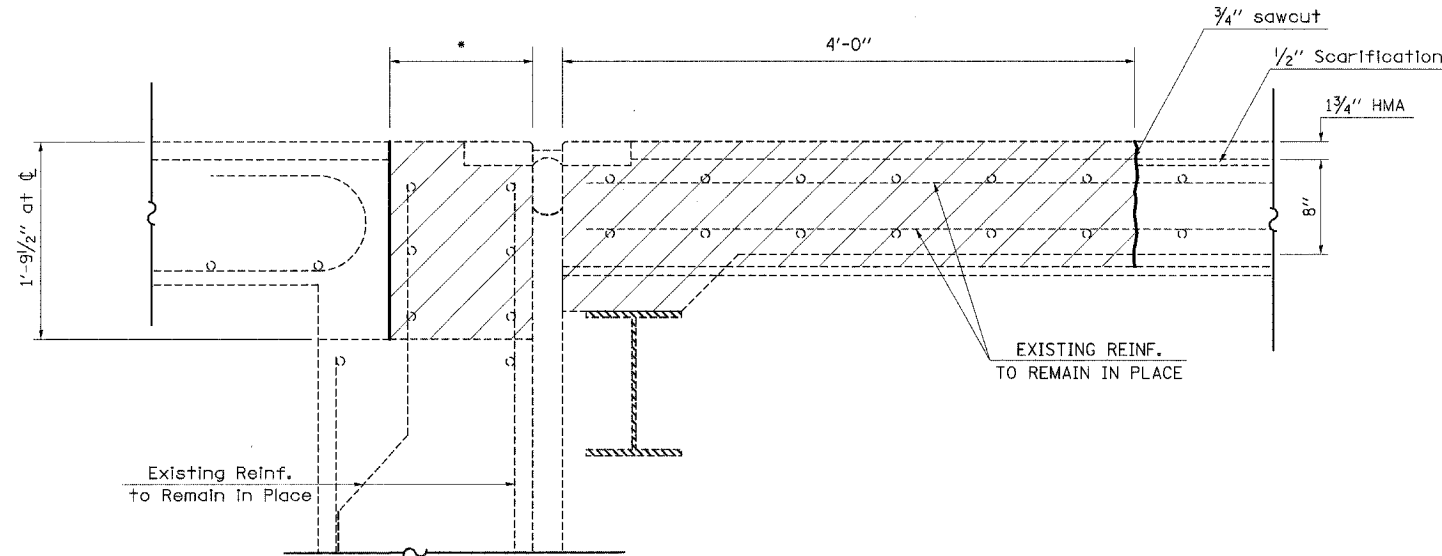
WINGWALL DETAIL



Note: Rotate d4(E) and d5(E) bars in parapet to fit horizontal legs in concrete pour.

SECTION THRU PARAPET

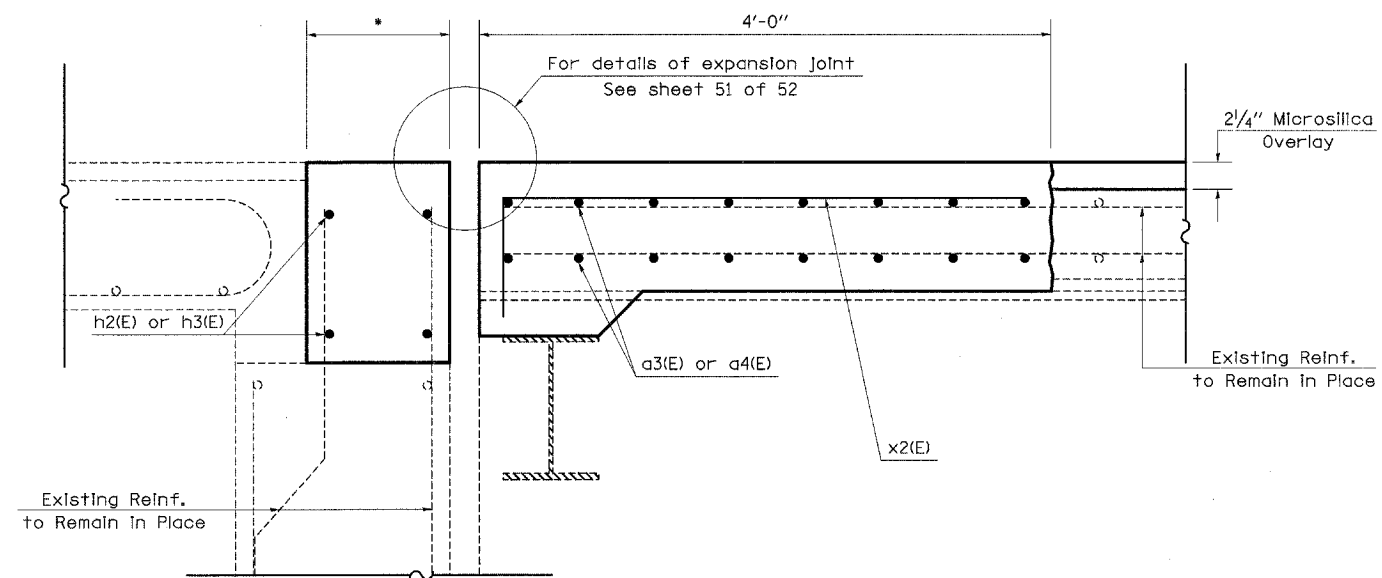
- 058-0096(WB) East Abut. 15"
- 058-0096(WB) West Abut. 14"
- 058-0095(EB) West Abut. 13"
- 058-0095(EB) East Abut. 12"



SECTION A-A

(Dimensions at RT L's to end of deck)

- Existing Reinforcement
- Proposed Reinforcement



SECTION B-B

(Dimensions at RT L's to end of deck)

FILE NAME = c:\projects\74171d\karenbridge.dgn	USER NAME = swartzrk	DESIGNED -	REVISED -
		DRAWN -	REVISED -
	PLOT SCALE = 20.0000 ' / IN.	CHECKED -	REVISED -
	PLOT DATE = 3/20/2008	DATE -	REVISED -

**STATE OF ILLINOIS
DEPARTMENT OF TRANSPORTATION**

**ABUTMENT EXPANSION JOINT REPLACEMENT DETAILS
SN 058-0095 (EB) & SN 058-0096 (WB)**

SCALE: N/A SHEET NO. 24 OF 52 SHEETS STA. TO STA.

F.A.I. RTE. 72	SECTION (58,74X66,67)RS-1	COUNTY MACON	TOTAL SHEETS 88	SHEET NO. 52
FED. ROAD DIST. NO.			ILLINOIS FED. AID PROJECT	

CONTRACT NO. 741