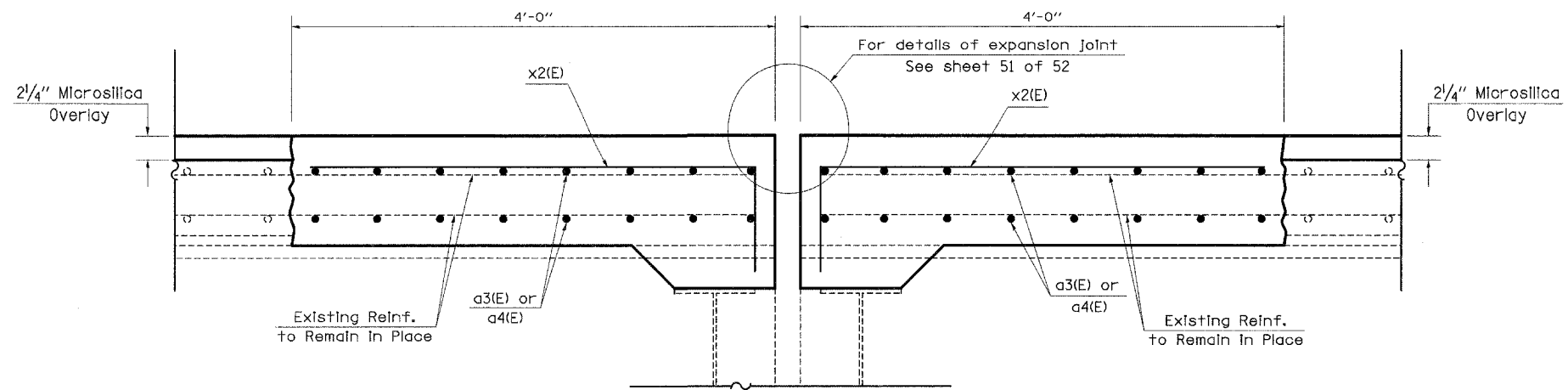
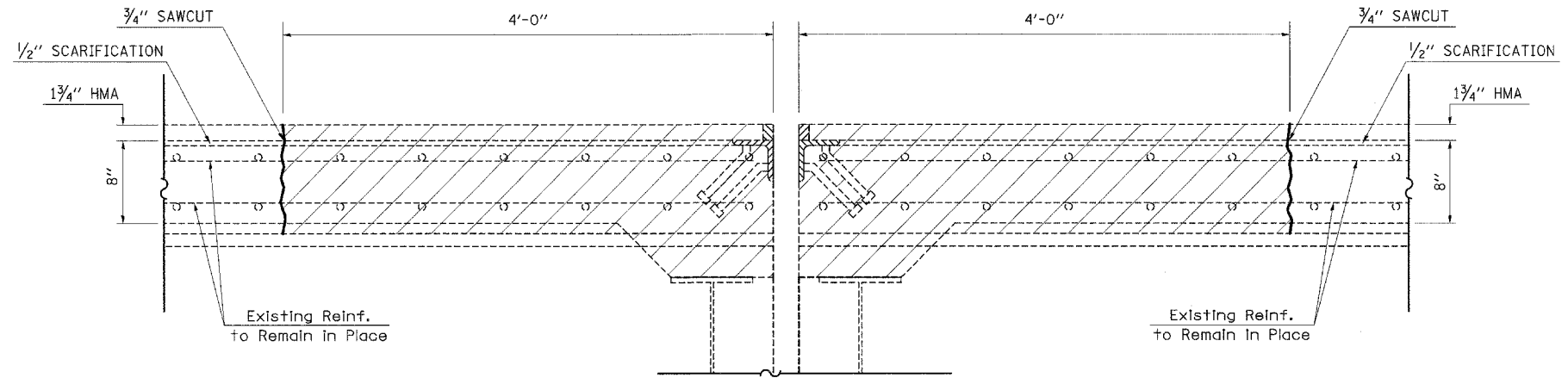
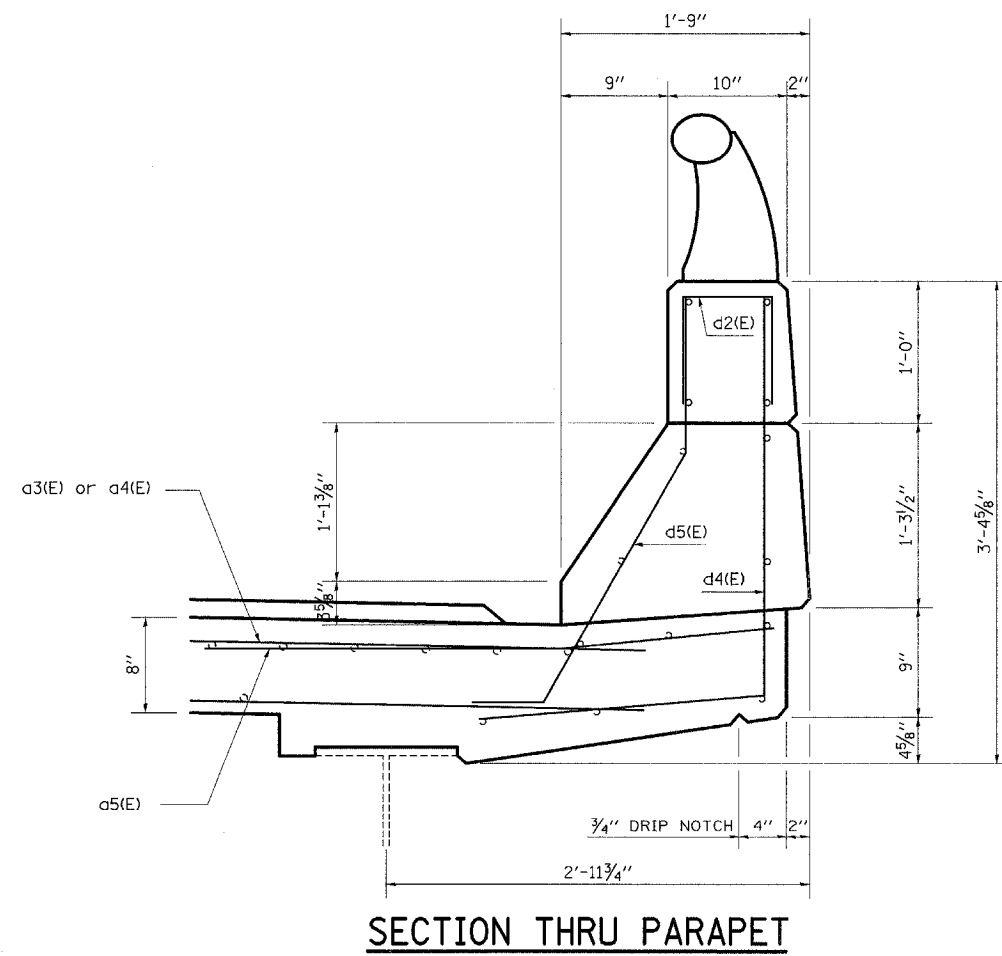


Note: Rotate d4(E) and d5(E) bars in parapet to fit horizontal legs in concrete pour.



FILE NAME = c:\projects\74171d\karenbridge.dgn	USER NAME = swartzw	DESIGNED -	REVISED -
		DRAWN -	REVISED -
		CHECKED -	REVISED -
		DATE -	REVISED -
PLOT SCALE = 20,0000 1 / IN.			
PLOT DATE = 3/20/2008			

**STATE OF ILLINOIS
DEPARTMENT OF TRANSPORTATION**

**HINGE EXPANION JOINT REPLACEMENT DETAILS
SN 058-0095 (EB) & SN 058-0096 (WB)**

SCALE: N/A SHEET NO. 25 OF 52 SHEETS STA. TO STA.

F.A.I. RTE. 72	SECTION (58,74X66,67)RS-1	COUNTY MACON	TOTAL SHEETS 88	SHEET NO. 52
FED. ROAD DIST. NO. ILLINOIS FED. AID PROJECT			CONTRACT NO. 74171	

SHEET NO.
52 SHEET