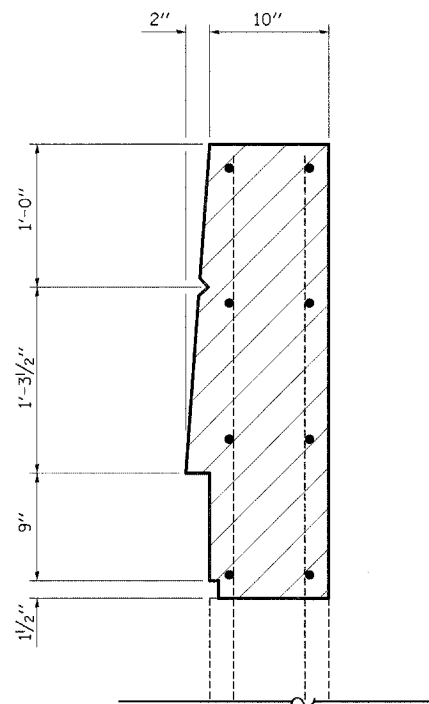
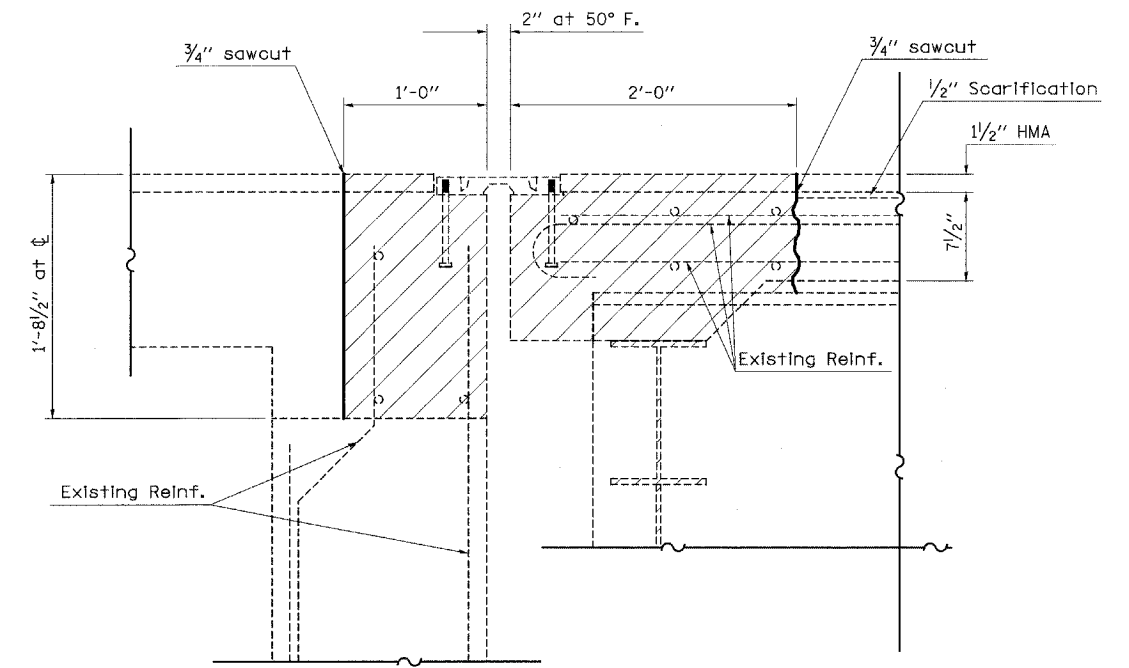


**SECTION THRU PARAPET**

Note: Rotate d6(E) and d7(E) bars in parapet to fit horizontal legs in concrete pour.



**SECTION THRU WINGWALL**

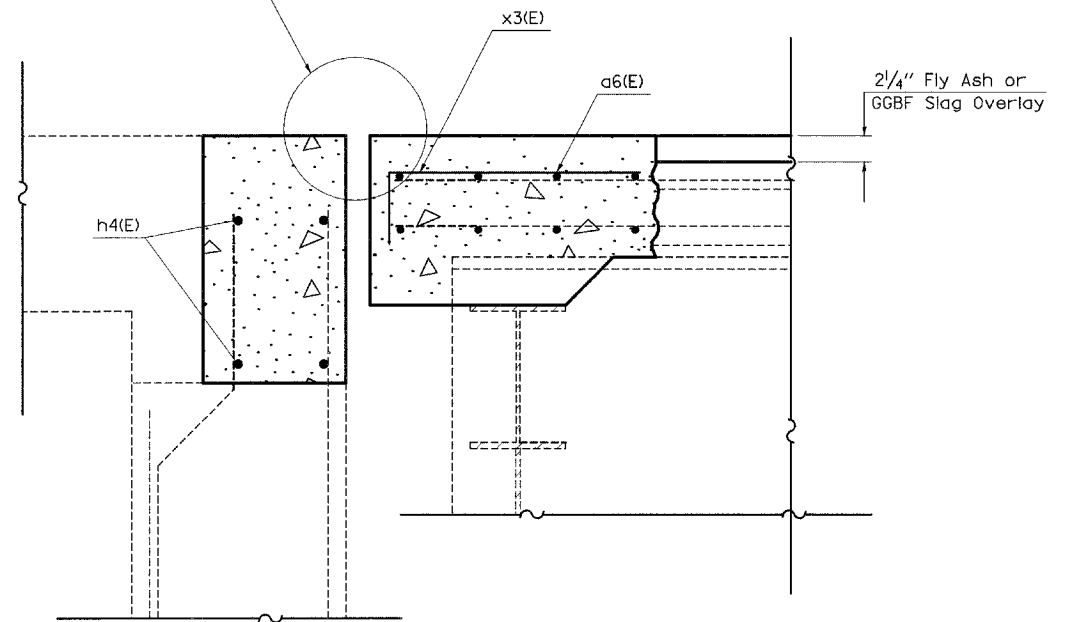


**SECTION A-A**

(Dimensions at RT L's to end of deck)

For details of expansion joint  
See sheet 51 of 52

- Existing Reinforcement
- Proposed Reinforcement



**SECTION B-B**

(Dimensions at RT L's to end of deck)

FILE NAME = c:\projects\74171d\karenbr\idg\edgn	USER NAME = swartzw	DESIGNED -	REVISED -
		DRAWN -	REVISED -
	PLOT SCALE = 28,0000' / IN.	CHECKED -	REVISED -
	PLOT DATE = 3/20/2008	DATE -	REVISED -

**STATE OF ILLINOIS  
DEPARTMENT OF TRANSPORTATION**

**RAIL SUPPORT ANCHOR DETAILS**

SCALE: N/A SHEET NO. 40 OF 52 SHEETS STA. TO STA.

F.A.I. RTE.	SECTION	COUNTY	TOTAL SHEETS	SHEET NO.
72	(58,74X66,67)RS-1	MACON	88	6
FED. ROAD DIST. NO.			ILLINOIS FED. AID PROJECT	

SHEET NO. 52 SHEET 1

CONTRACT NO. 741