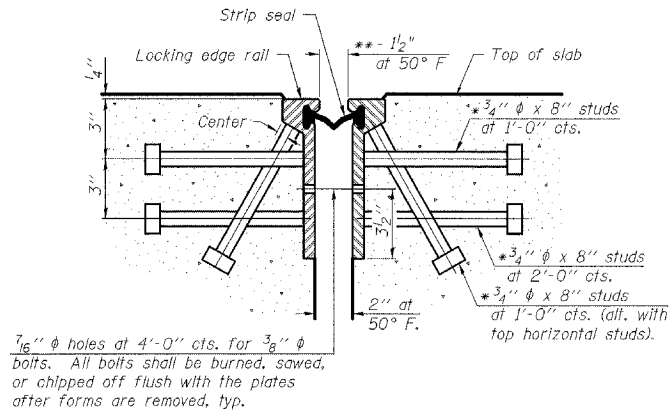
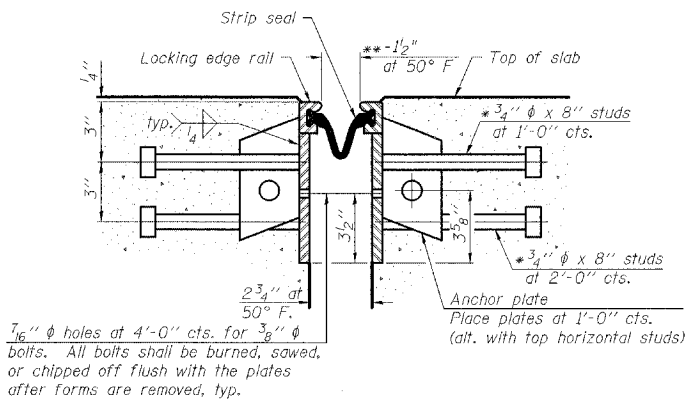


* Granular or solid flux filled headed studs conforming to Article 1006.32 of the Std. Specs., automatically end welded.

** When joint is fixed, dimension is set at 1 1/2".



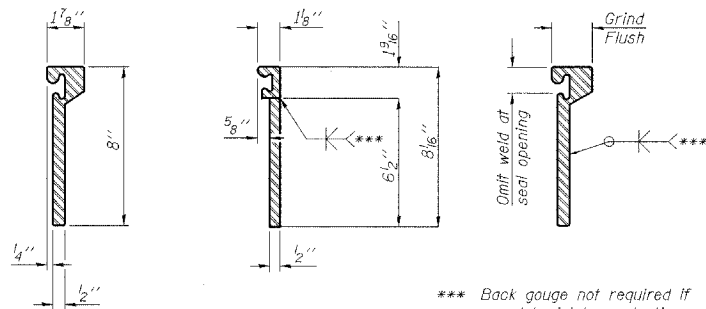
SECTION THRU ROLLED RAIL JOINT



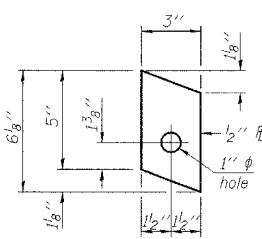
SECTION THRU WELDED RAIL JOINT

Notes:

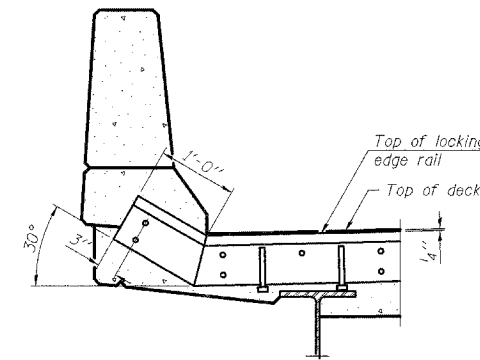
The strip seal shall be made continuous and shall have a minimum thickness of 1/4". The configuration of the strip seal shall match the configuration of the Locking Edge Rails. Open or "webbed" strip seal gland configurations are not permitted. The gland shall be sized for a maximum rated movement of 4 inches. The height and thickness of the Locking Edge Rails shown are minimum dimensions. The actual configuration of the Locking Edge Rails and matching strip seal may vary from manufacturer to manufacturer. Flanged edge rails will not be allowed. Locking Edge Rails may be spliced at slope discontinuities and stage construction joints. The manufacturer's recommended installation methods shall be followed. The joint opening and deck dimensions detailed on the superstructure are based on a rolled rail expansion joint. If the Contractor elects to use the welded rail expansion joint, the opening and deck dimensions shall be modified according to the dimensions detailed on this sheet. Required modifications shall be made at no additional cost to the State. All steel components shall be galvanized after fabrication according to Article 520.03 of the Standard Specifications.



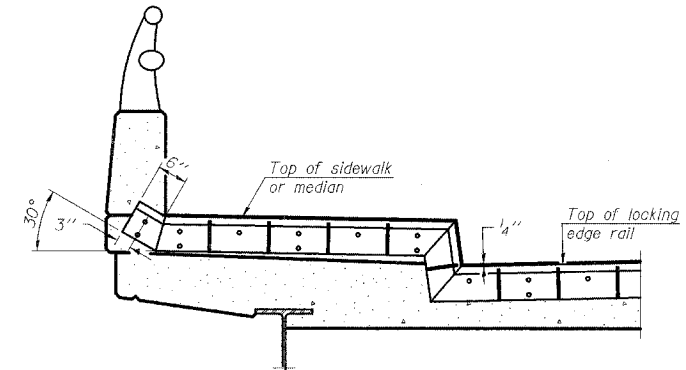
ROLLED (EXTRUDED) RAIL WELDED RAIL



ANCHOR PLATE (for welded rail)



AT PARAPET



AT SIDEWALK OR MEDIAN

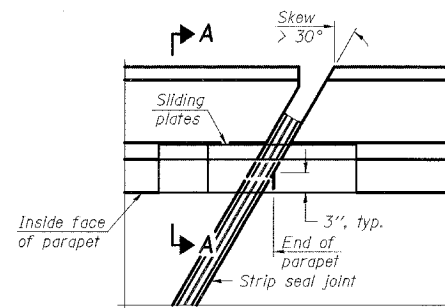
Shorter plates with a single row of studs at 12" cts. may be necessary on medians which are shallower than 3". See manufacturer's recommendation.

*** Back gouge not required if complete joint penetration is verified by mock-up.

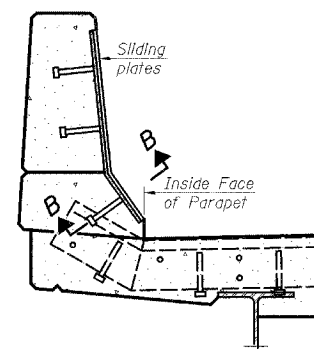
LOCKING EDGE RAIL SPLICE

The inside of the locking edge rail groove shall be free of weld residue.

LOCKING EDGE RAILS



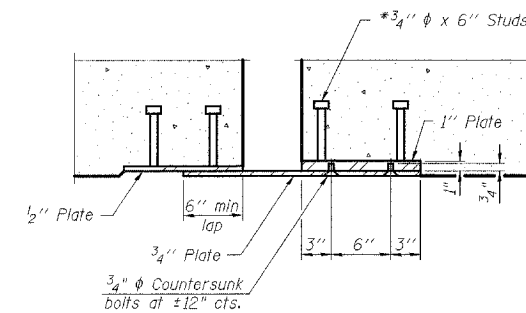
PLAN



SECTION A-A

POINT BLOCK DETAILS (for skews > 30°)

TYPICAL END TREATMENTS



SECTION B-B

BILL OF MATERIAL

SN	Item	Unit	Total
058-0095	Preformed Joint Strip Seal	Foot	192'
058-0096	Preformed Joint Strip Seal	Foot	192'
058-0097	Preformed Joint Strip Seal	Foot	82'

PREFORMED JOINT STRIP SEAL

EJ-SSJ

11-1-06

FILE NAME = c:\projects\74171d\karenbrldge.dgn	USER NAME = swartzw	DESIGNED -	REVISED -
		DRAWN -	REVISED -
		CHECKED -	REVISED -
		DATE -	REVISED -

**STATE OF ILLINOIS
DEPARTMENT OF TRANSPORTATION**

PREFORMED JOINT STRIP SEAL			
SN 058-0095 (EB) & SN 058-0096 (WB) & 058-0097			
SCALE: N/A	SHEET NO. 51 OF 52 SHEETS	STA.	TO STA.

F.A.I. RTE. 72	SECTION (58,74X66,67)RS-1	COUNTY MACON	TOTAL SHEETS 88	SHEET NO. 78
FED. ROAD DIST. NO.			ILLINOIS FED. AID PROJECT	

SHEET NO. 52 SHEET

CONTRACT NO. 741