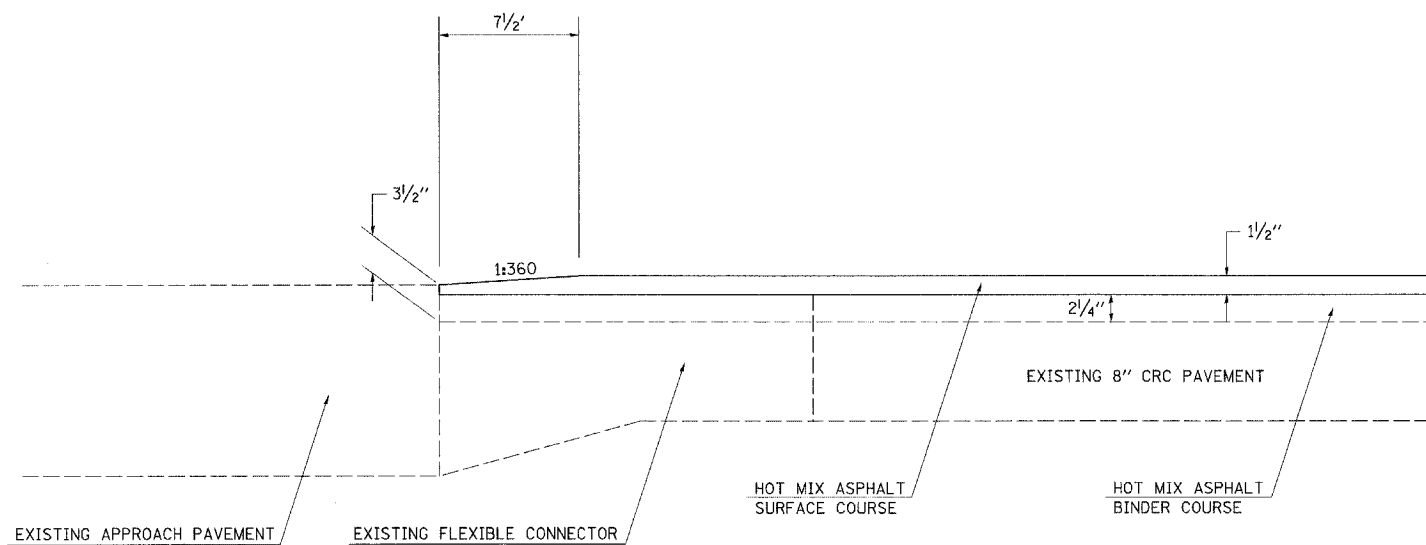
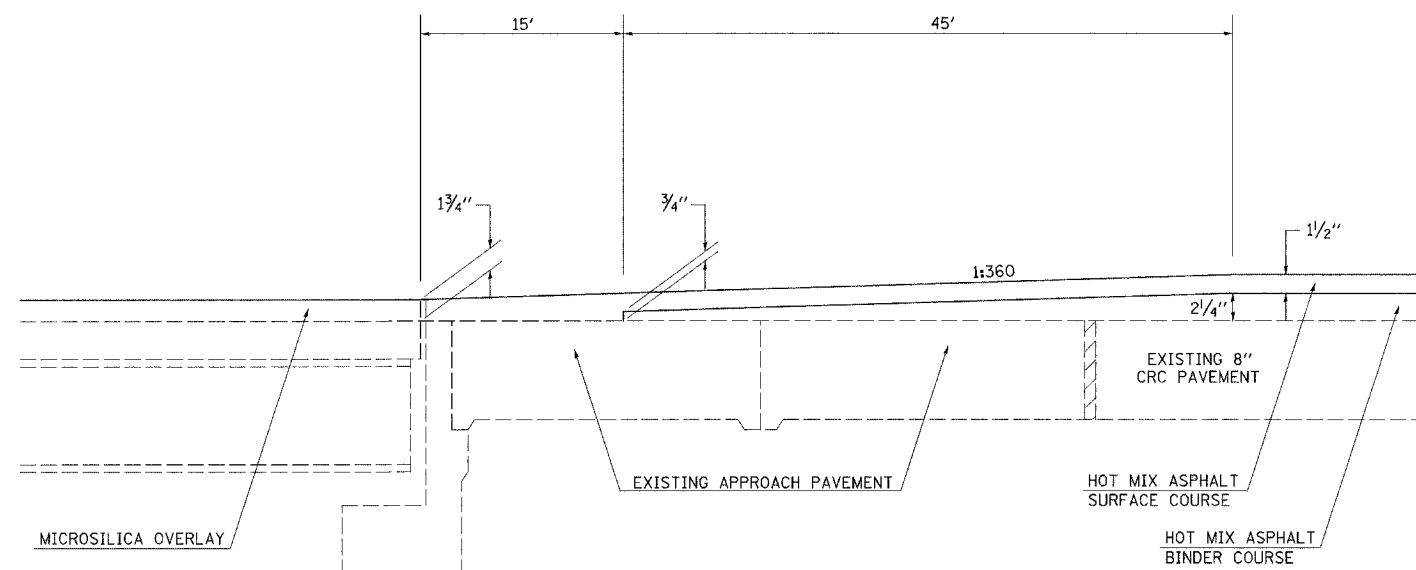


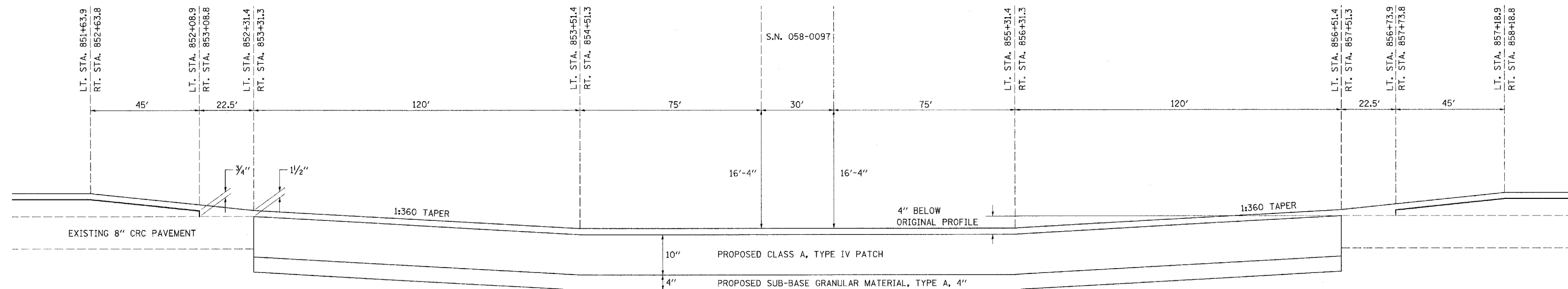
BUTT JOINT DETAIL
S.N. 058-0096 (EAST APPROACH)



BUTT JOINT DETAIL
S.N. 058-0095 (WEST APPROACH)
S.N. 058-0096 (WEST APPROACH)



PAVEMENT TRANSITION DETAIL
S.N. 058-0097



FILE NAME =	USER NAME = swartzw	DESIGNED -	REVISED -
cr\projects\74171\d\shdtetails.74171.dgn		DRAWN -	REVISED -
	PLOT SCALE = 20,0000' / IN.	CHECKED -	REVISED -
	PLOT DATE = 3/20/2008	DATE -	REVISED -

STATE OF ILLINOIS
DEPARTMENT OF TRANSPORTATION

DETAILS

SCALE: NA SHEET NO. OF SHEETS STA. TO STA.

F.A.I. RTE.	SECTION	COUNTY	TOTAL SHEETS	SHE NO.
72	(58,74)(66,67)RS-1	MACON	88	80
CONTRACT NO. 741				
FED. ROAD DIST. NO. ILLINOIS FED. AID PROJECT				