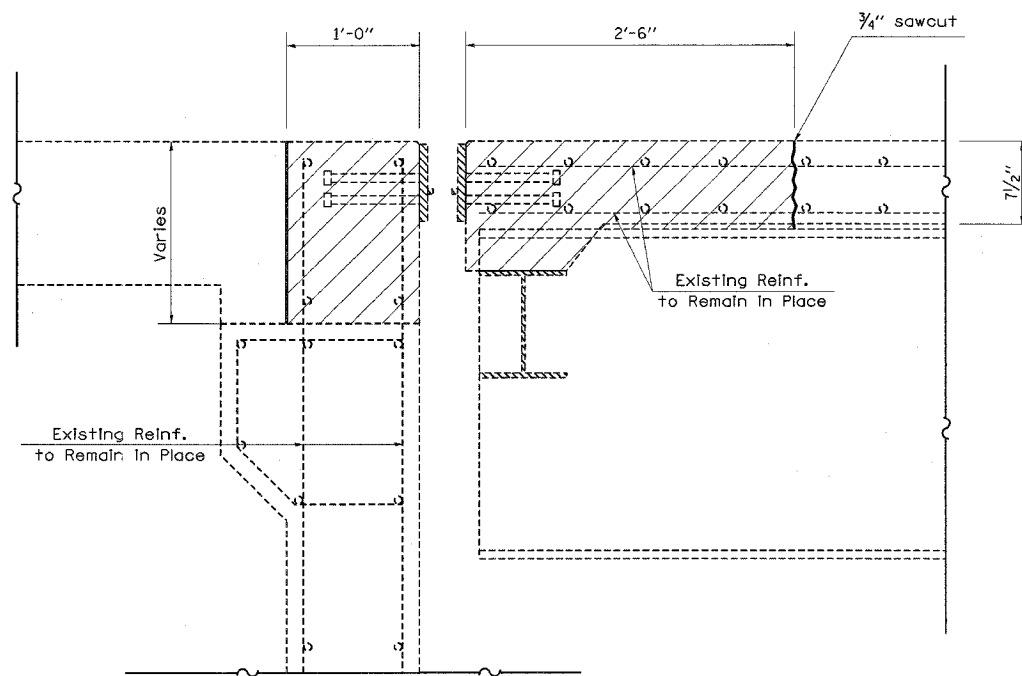


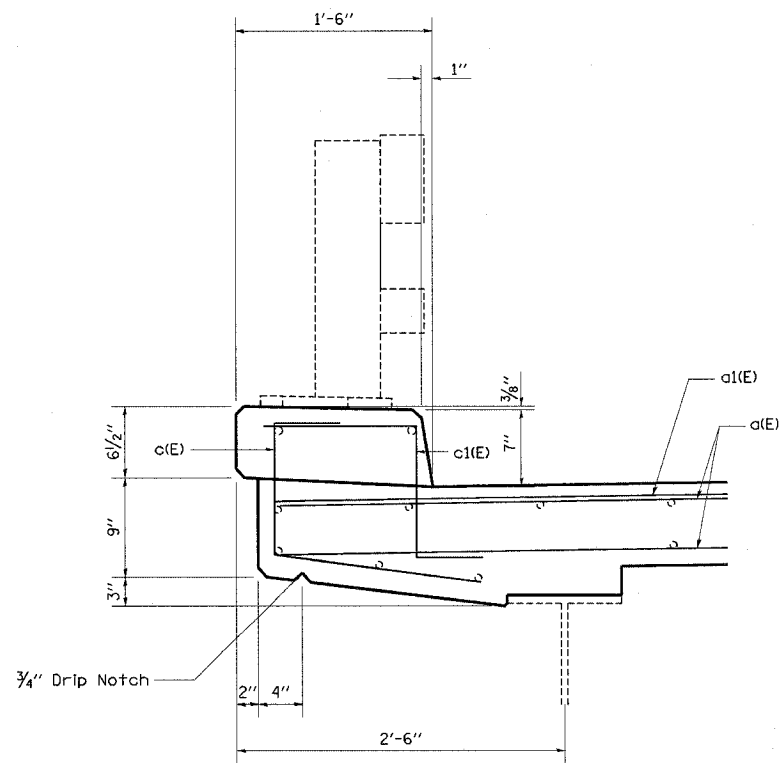
TYPICAL WINGWALL REMOVAL/REPLACEMENT



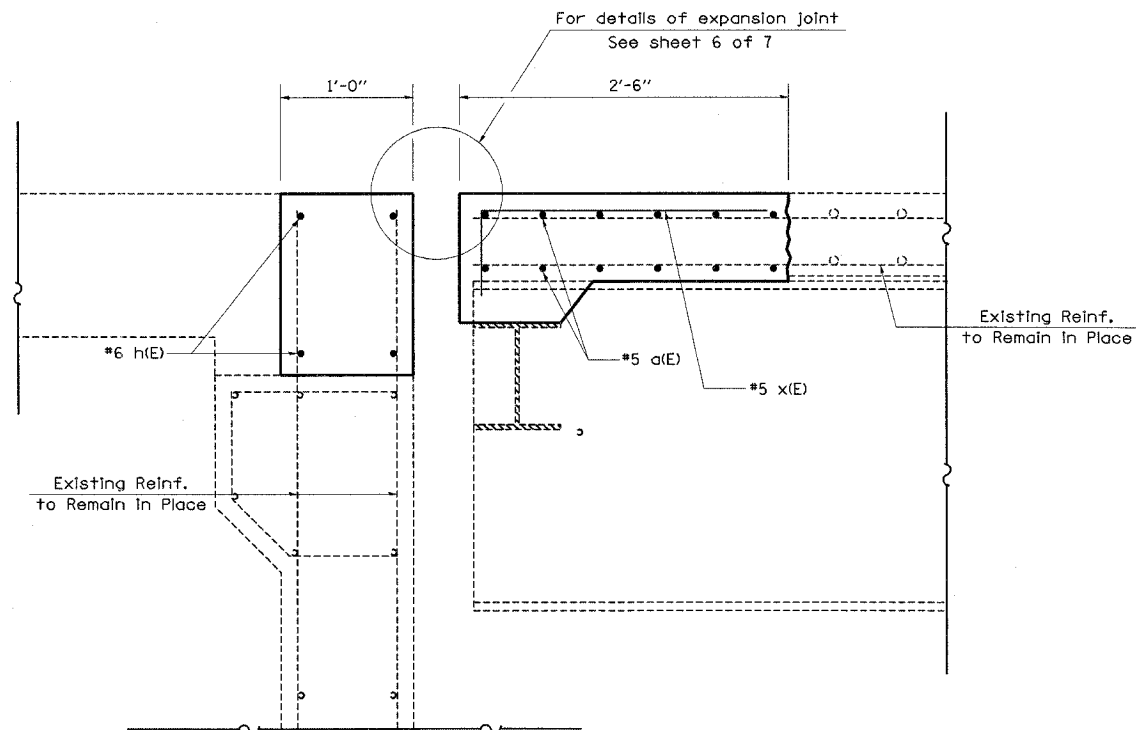
SECTION A-A

(Dimensions at RT L's to end of deck)

- Existing Reinforcement
- Proposed Reinforcement



CURB DETAIL



SECTION B-B

(Dimensions at RT L's to end of deck)

FILE NAME =	USER NAME = thoeiekl	DESIGNED -	REVISED -
c:\projects\74251d\karenbridge_74251.dgn		DRAWN -	REVISED -
	PLOT SCALE = 28.0000 "/td> <td>CHECKED -</td> <td>REVISED -</td>	CHECKED -	REVISED -
	PLOT DATE = 3/27/2008	DATE -	REVISED -

**STATE OF ILLINOIS
DEPARTMENT OF TRANSPORTATION**

**EXPANSION JOINT REPLACEMENT DETAILS
SN 025-0030**

SCALE: SHEET NO. OF SHEETS STA. TO STA.

F.A.P. RTE.	SECTION	COUNTY	TOTAL SHEETS	SHEET NO.
774	*	EFFINGHAM	33	14
FED. ROAD DIST. NO. ILLINOIS FED. AID PROJECT			CONTRACT NO. 74251	

SHEET NO. 4
7 SHEETS

* (1-1MFT,1-WMFT,104Z,104)RS-2