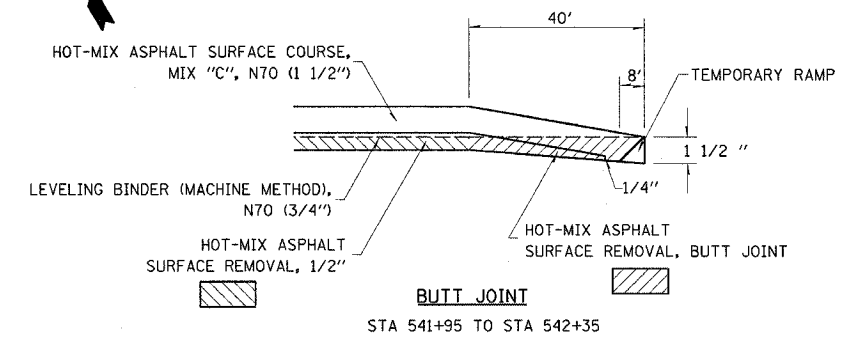
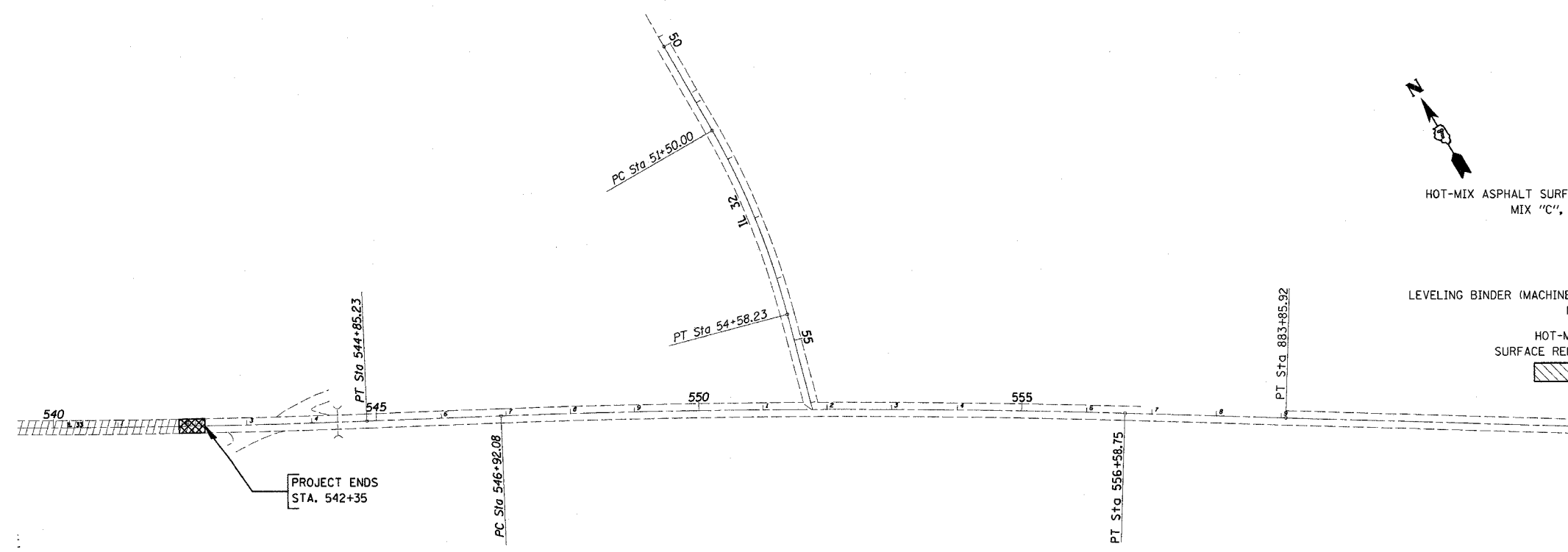


CURVE DATA
 PI STA. = 540+00
 $\Delta = 3^\circ 53'$
 $D = 0^\circ 24'$
 $R = 14324.0'$
 $T = 485.6'$
 $L = 970.8'$
 $E = 8.2'$
 $S.E. = 0.015 \text{ FT/FT}$
 $S.E. \text{ ATTAINED}$
 STA 533+80 TO STA 535+81
 STA 544+18 TO STA 546+00

- BUTT JOINT
- HOT-MIX ASPHALT SURFACE REMOVAL, 1/2"
- HOT-MIX ASPHALT SURFACE REMOVAL, 2 1/4"



FILE NAME = c:\projects\74251d\sh\plan_74251.dgn	USER NAME = teanlegok	DESIGNED - DRAWN -	REVISED - REVISED -	STATE OF ILLINOIS DEPARTMENT OF TRANSPORTATION	PLAN SHEET			F.A.P. RTE. 774	SECTION .	COUNTY EFFINGHAM	TOTAL SHEETS 33	SHEET NO. 31
	PLOT SCALE = 100.0000' / IN.	CHECKED -	REVISED -		SCALE: 100	SHEET NO.	OF	SHEETS	STA. 510+00	TO STA. 555+00	CONTRACT NO. 74251	
	PLOT DATE = 3/27/2008	DATE -	REVISED -		FED. ROAD DIST. NO. ILLINOIS FED. AID PROJECT							
(1-1MFT,1-WMFT,104Z,104IRS-2)												