

BAR LIST - PER ABUTMENT - STR #058-0117

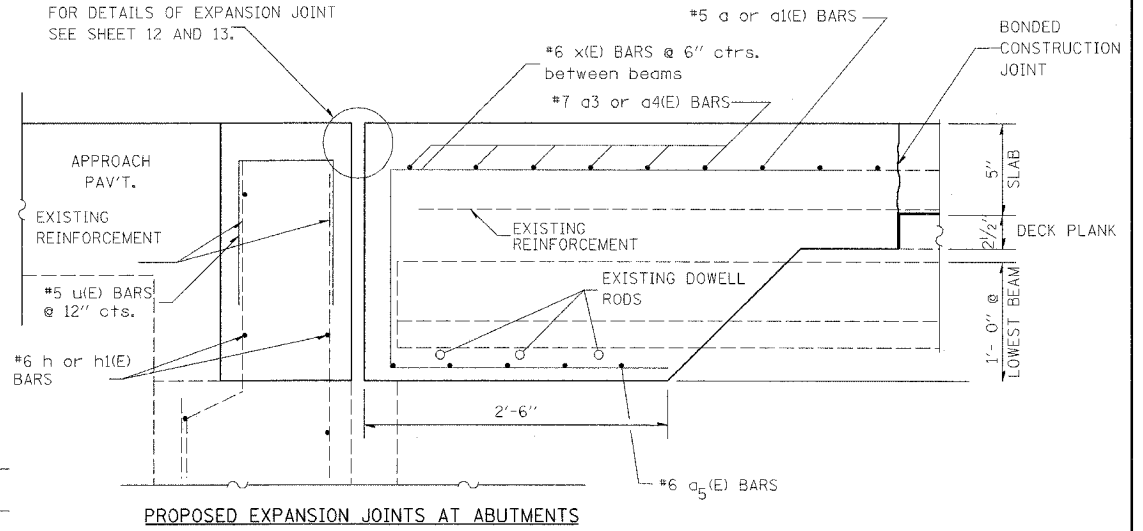
BAR	NUMBER OF BARS		TOTAL	SIZE	LENGTH	SHAPE
	STAGE I	STAGE II				
a (E)	22		22	#5	22'-6"	
a1(E)		22	22	#5	18'-6"	
a2(E)	8	6	14	#6	4'-0"	
a3(E)	6		6	#7	24'-6"	
a4(E)		6	6	#7	20'-4"	
a5(E)	15	10	25	#6	7'-0"	
d(E)	9	7	16	#4	4'-11"	J
d1(E)	9	7	16	#5	3'-11"	f
h(E)	3		3	#6	24'-6"	
h1(E)		3	3	#6	20'-4"	
x(E)	36	29	65	#6	8'-0"	
u(E)	23	19	42	#5	1'-11"	

CONCRETE REMOVAL	CU YD	17.7
REINFORCEMENT BARS (EPOXY COATED)	POUND	3030
CONCRETE SUPERSTRUCTURE	CU YD	17.7

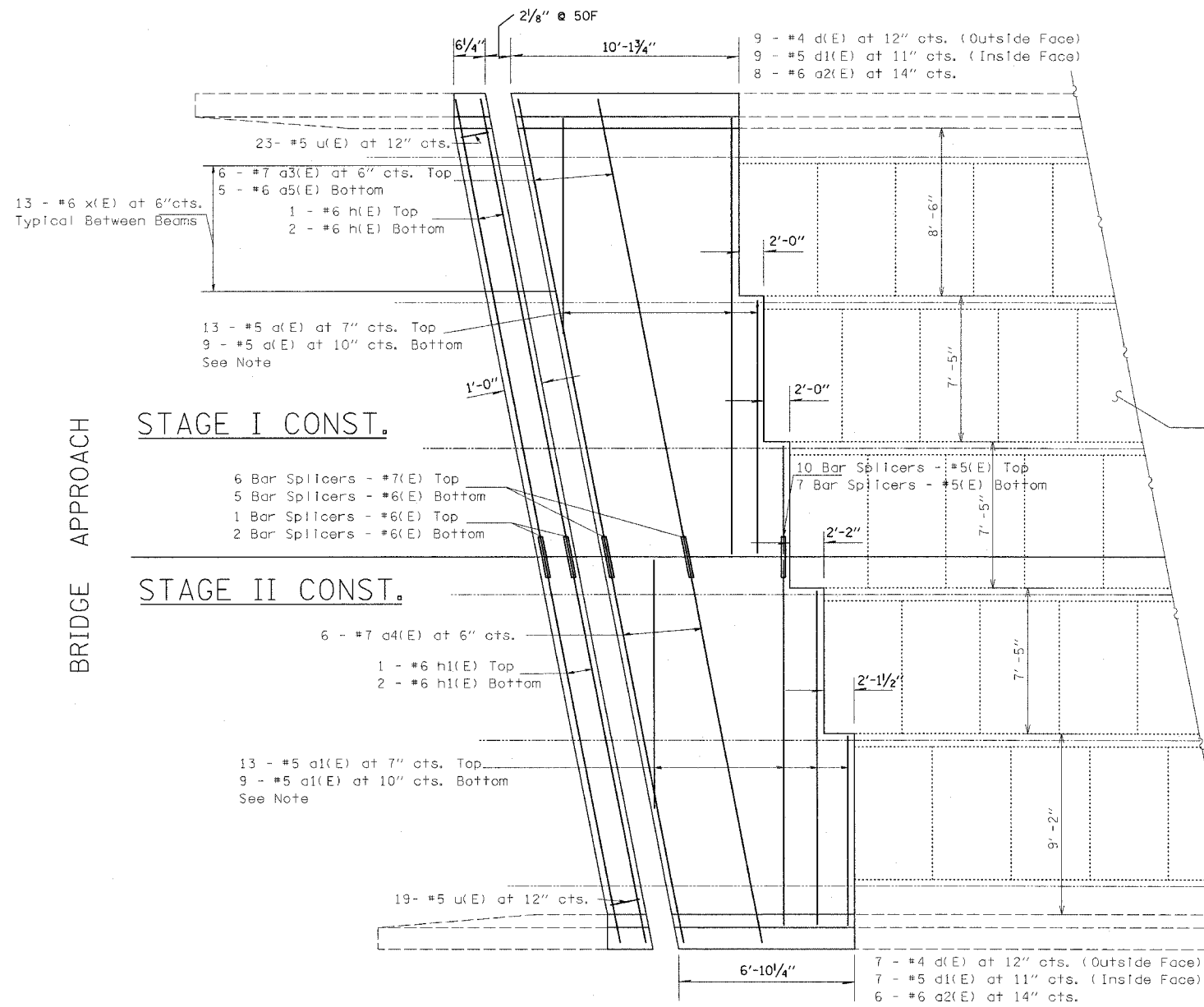
NOTE: Order a(E) and d1(E) Bars full length. Cut to fit in field and use remainder of bars in stagger on same stage.



PREFORMED JOINT STRIP SEAL FOR DETAILS OF EXPANSION JOINT SEE SHEET 12 AND 13.



PROPOSED EXPANSION JOINTS AT ABUTMENTS



BRIDGE APPROACH
BRIDGE DECK

STAGE I CONST.

STAGE II CONST.

Existing Precast Prestressed Plank (4'-0" x 6'-9")

