

BAR LIST - PER ABUTMENT - STR #058-0118

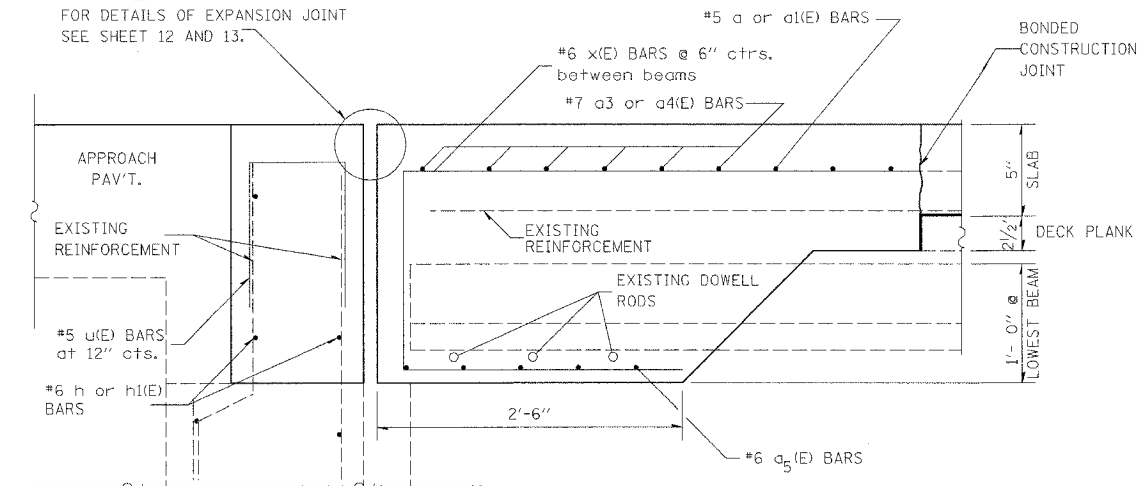
BAR	NUMBER OF BARS		TOTAL	SIZE	LENGTH	SHAPE
	STAGE I	STAGE II				
a (E)	19		19	#5	22'-6"	—
a1(E)		19	19	#5	18'-6"	—
a2(E)	4	6	10	#6	4'-0"	—
a3(E)	6		6	#7	24'-6"	—
a4(E)		6	6	#7	20'-4"	—
a5(E)	15	10	25	#6	7'-0"	—
d(E)	5	7	12	#4	4'-11"	J
d1(E)	5	7	12	#5	3'-11"	J
h(E)	3		3	#6	24'-6"	—
h1(E)		3	3	#6	20'-4"	—
x(E)	36	29	65	#6	8'-0"	—
u(E)	23	19	42	#5	1'-11"	□

CONCRETE REMOVAL	CU YD	14.9
REINFORCEMENT BARS (EPOXY COATED)	POUND	2880
CONCRETE SUPERSTRUCTURE	CU YD	14.9

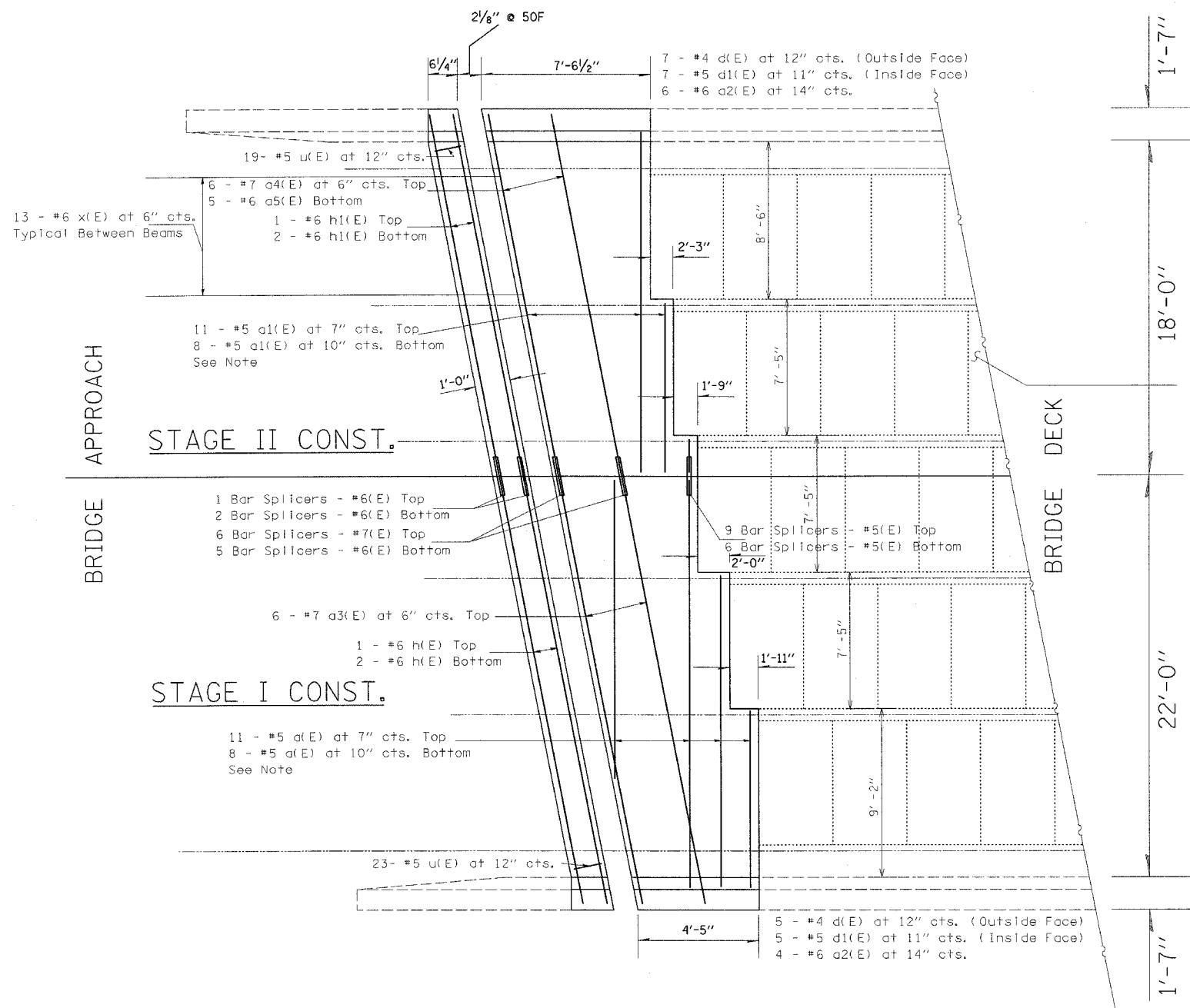


NOTE: Order a(E) and a1(E) Bars full length. Cut to fit in field and use remainder of bars in stagger on same stage.

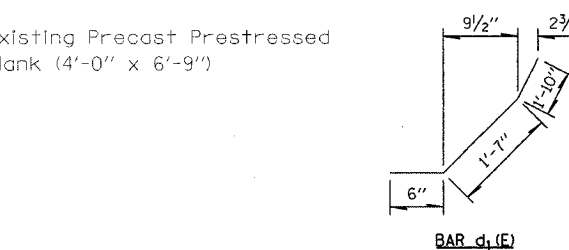
PREFORMED JOINT STRIP SEAL FOR DETAILS OF EXPANSION JOINT SEE SHEET 12 AND 13.



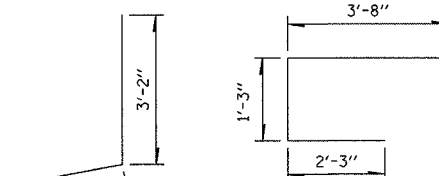
PROPOSED EXPANSION JOINTS AT ABUTMENTS



Existing Precast Prestressed Plank (4'-0" x 6'-9")



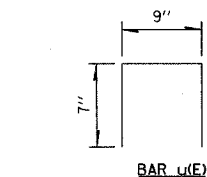
BAR d1(E)



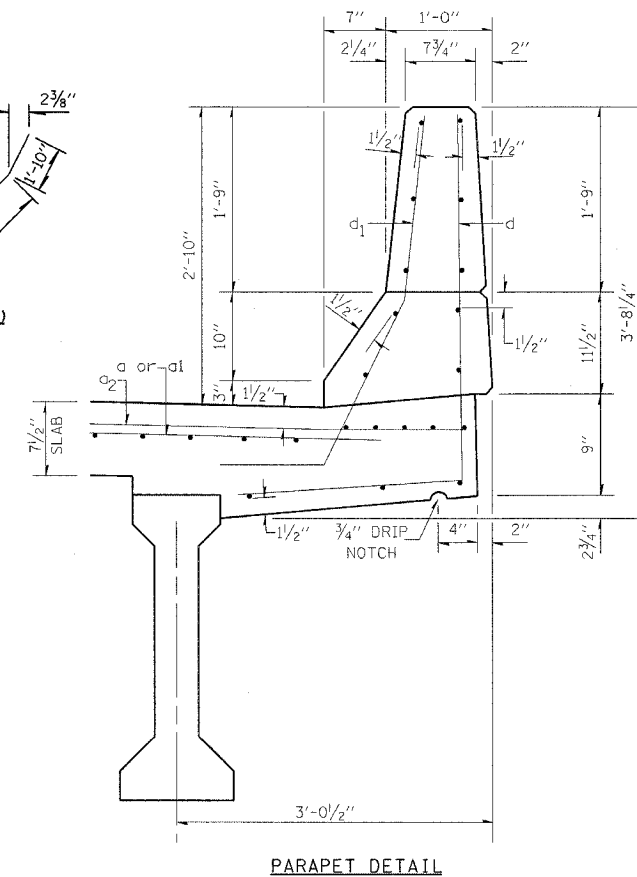
BAR x(E)



BAR d(E)



BAR u(E)



PARAPET DETAIL

FILE NAME =  
c:\projects\74275d\shd\details\74275.dgn

USER NAME = seasleyk  
PLOT SCALE = 20,0000 / IN.  
PLOT DATE = 3/13/2008

DESIGNED -  
DRAWN -  
CHECKED -  
DATE -

REVISED -  
REVISED -  
REVISED -  
REVISED -

STATE OF ILLINOIS  
DEPARTMENT OF TRANSPORTATION

058-0118 EXPANSION JOINT AND REBAR DETAILS

SCALE: SHEET NO. OF SHEETS STA. TO STA.

F.A.P. RTE.	SECTION	COUNTY	TOTAL SHEETS	SHEET NO.
322 DT	BRIDGE REPAIRS 2009-1	MACON	14	11
FED. ROAD DIST. NO.			ILLINOIS FED. AID PROJECT	
			CONTRACT NO. 74275	