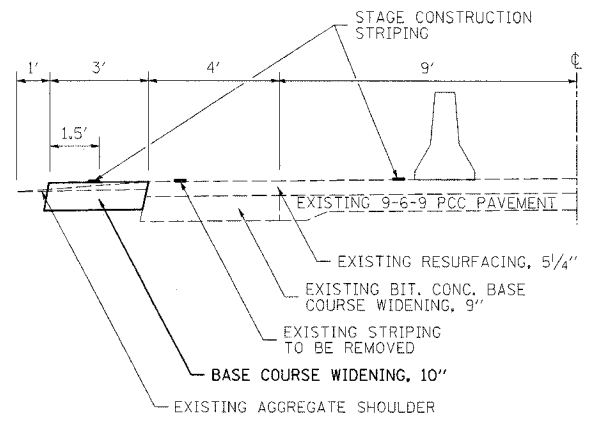
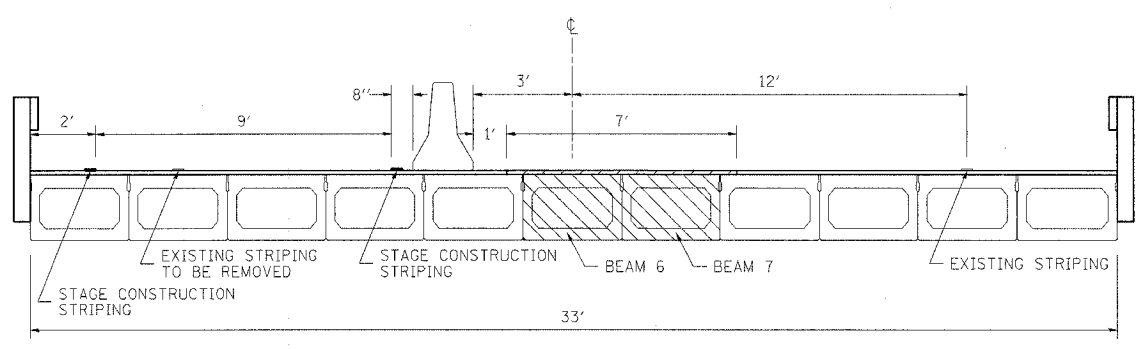


* SEE STANDARD 701321-09 FOR TRAFFIC CONTROL IN ADVANCE OF STOP BAR.

IMPACT ATTENUATORS

EX. GUARDRAIL



FILE NAME =	USER NAME = stefanik	DESIGNED -	REVISED -
c:\projects\74309d\ststage_74309.dgn		DRAWN -	REVISED -
PLT SCALE = 30,0000 / IN.		CHECKED -	REVISED -
PLT DATE = 4/8/2008		DATE -	REVISED -

**STATE OF ILLINOIS
DEPARTMENT OF TRANSPORTATION**

TRAFFIC CONTROL			
SCALE:	SHEET NO.	OF SHEETS	STA. TO STA.

F.A.P. RTE.	SECTION	COUNTY	TOTAL SHEETS	SHEET NO.
770	D7 BEAM REPAIR 2008-6	MOULTRIE	7	4
FED. ROAD DIST. NO.			ILLINOIS FED. AID PROJECT	
			CONTRACT NO. 74309	