

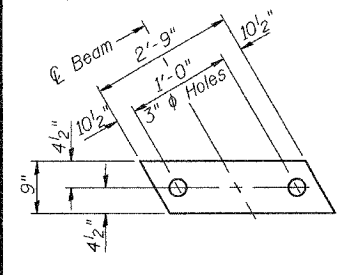
STATE OF ILLINOIS  
DEPARTMENT OF TRANSPORTATION

6" x 6" x 1 1/2" Blockout to be filled with Class BS Concrete after Beams have been installed. Cost shall be included in the cost of PPC Deck Beams.

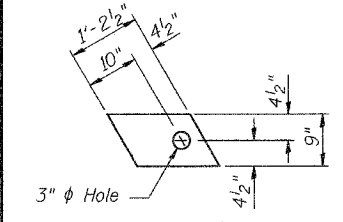
ROUTE NO.	SECTION	COUNTY	TOTAL SHEETS	SHEET NO.
FAP 770	ΔΔ	Moultrie	7	7
FED. ROAD DIST. NO. 7	ILLINOIS	FED. AID PROJECT		

SHEET NO. 3  
3 SHEETS

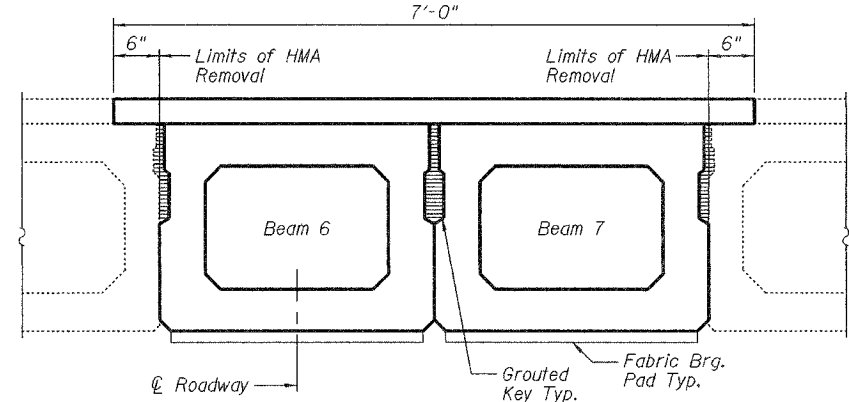
Contract Number: 74309  
ΔΔ D7 Beam Repair 2008-6



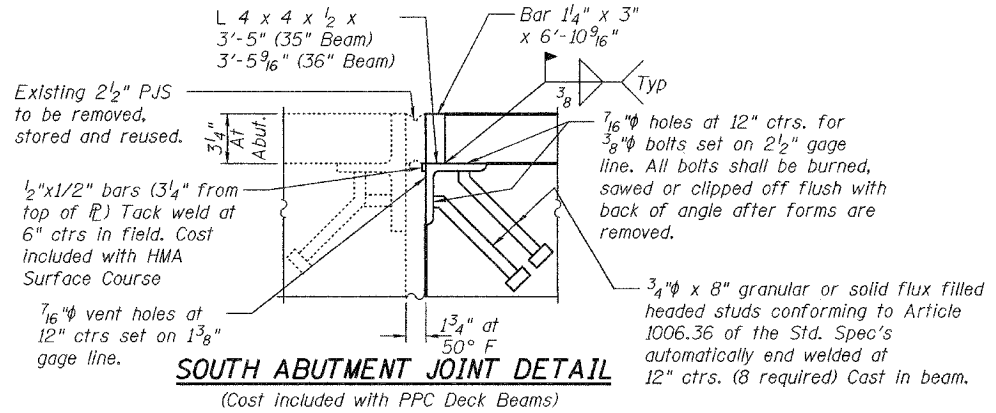
**FABRIC BEARING PAD**  
Fixed Shown omit holes at expansion bearings.



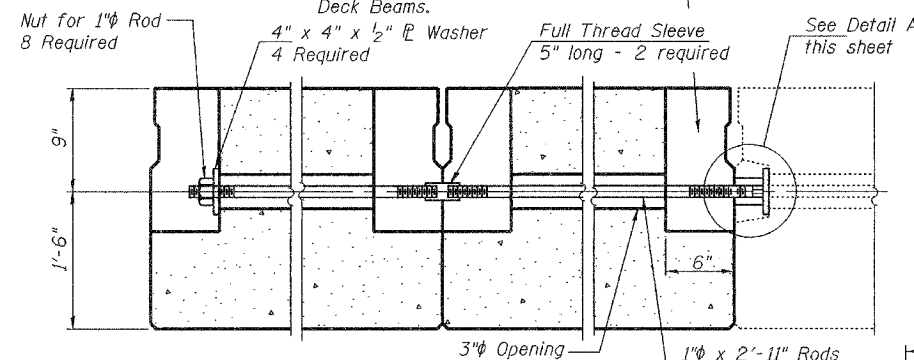
**FABRIC ADJUSTING SHIM**



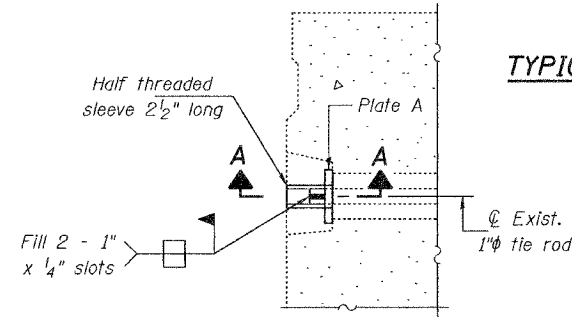
**PARTIAL DECK CROSS-SECTION**



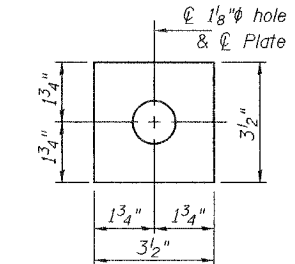
**SOUTH ABUTMENT JOINT DETAIL**  
(Cost included with PPC Deck Beams)



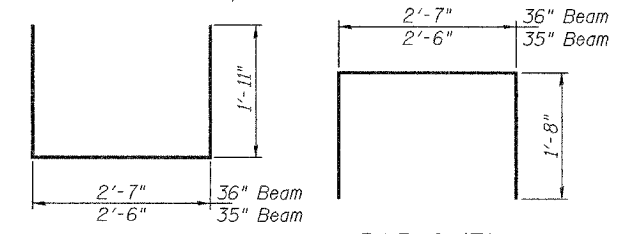
**TYPICAL TRANSVERSE TIE ASSEMBLY**



**DETAIL A**

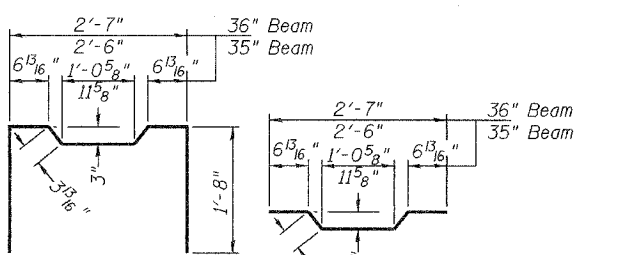


**PLATE A**  
(4 Required)



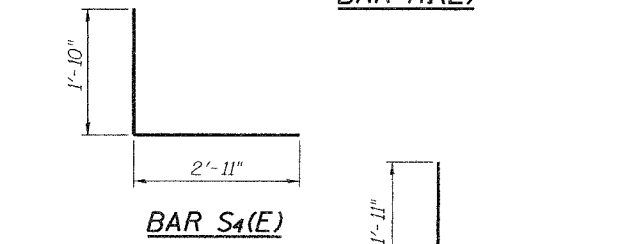
**BAR S(E)**

**BAR S1(E)**



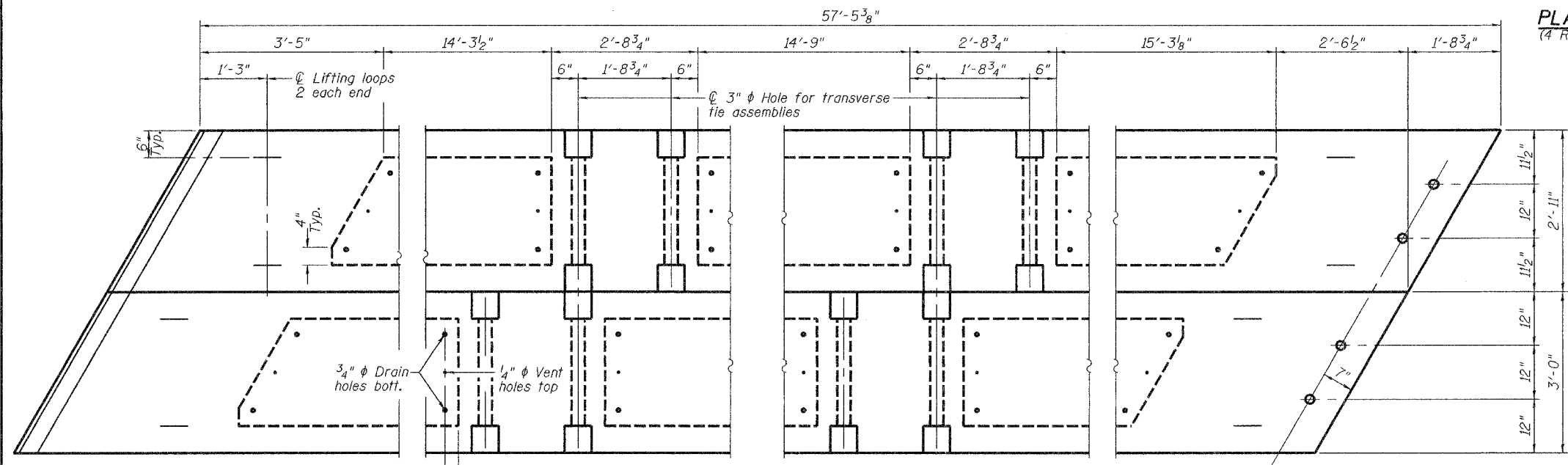
**BAR S2(E)**

**BAR A1(E)**

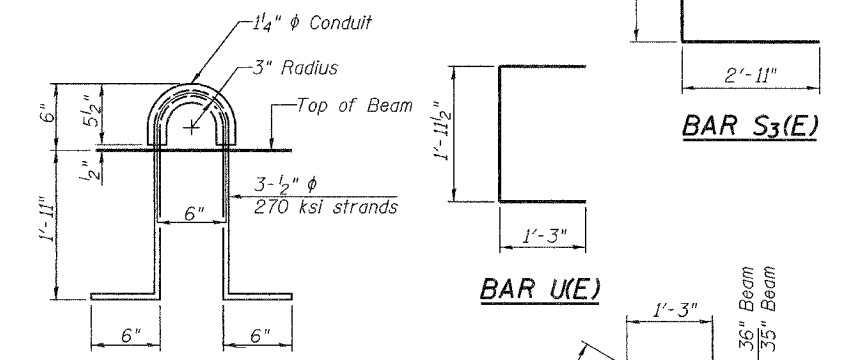


**BAR S4(E)**

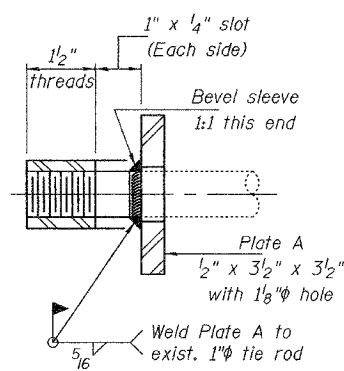
**BAR S3(E)**



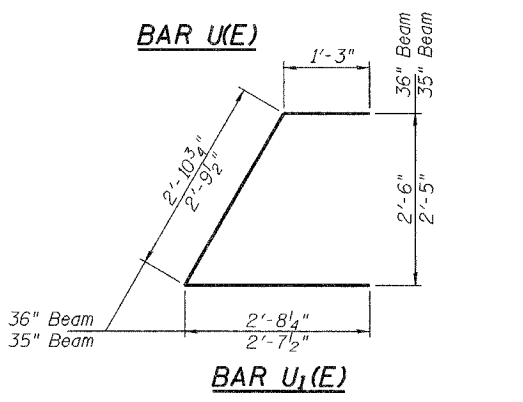
**PLAN VIEW**



**LIFTING LOOP DETAIL**



**SECTION A-A**  
(4 Required)



**BAR U(E)**

**BAR U1(E)**

**BEAM DETAILS**  
F.A. RT. 770  
MOULTRIE COUNTY  
SN 070-0036

**BILL OF MATERIAL**

Precast Prestressed Conc. Deck Bms. (27" depth)	Sq. Ft.	339.9
---	---------	-------

DESIGNED	A.J.B.
CHECKED	V.H.V.
DRAWN	Drew Christopher
CHECKED	A.J.B. V.H.V.

May 9, 2008  
EXAMINED *Carl Prosser*  
ENGINEER OF STRUCTURAL SERVICES  
PASSED *Ralph E. Anderson*  
ENGINEER OF BRIDGES AND STRUCTURES

**NOTES**

Prestressing steel shall be uncoated high strength, low relaxation 7-wire strand, Grade 270. The nominal diameter shall be 1/2" and the nominal cross-sectional area shall be 0.153 sq. in. The 1" rods in the transverse tie assembly shall be tightened to a snug fit and the threads set. Pockets on exterior faces of bridge shall be filled with grout after transverse tie assembly is in place.  
Reinforcement bars shall conform to ASTM A 706 (IL MOD), Grade 60. (See Special Provisions)  
Two 1/8" fabric adjusting shims of the dimensions shown shall be provided for each bearing pad location. A minimum 2 1/2" lifting pin shall be used to engage the lifting loops during handling.  
Corrosion Inhibitor, per Article 1020.05(b)(12) and 1021.06 of the Standard Specifications, shall be used in the concrete for precast prestressed concrete deck beams.  
Compressive strength of prestressed concrete, f'c, shall be 6000 psi.  
Compressive strength of prestressed concrete at release, f'ci, shall be 5000 psi.