

STATE OF ILLINOIS
DEPARTMENT OF TRANSPORTATION

ROUTE NO.	SECTION	COUNTY	STATE	SHEET NO.
FAP 304		CALHOUN	68	24A
FED. ROAD DIST. NO. 7	ILLINOIS	FED. AID PROJECT		

SHEET NO. 1
1 SHEETS

Contract Number: 76948

GENERAL NOTES

All structural steel shall conform to AASHTO Classification M-270 Gr. 36, unless otherwise noted.

Plan dimensions and details relative to existing plans are subject to routine variations. The Contractor shall field verify existing dimensions and details affecting new construction and make necessary approved adjustments prior to construction or ordering of materials. Such variations shall not be cause for additional compensation for a change in scope of the work, however, the Contractor will be paid for the quantity actually furnished based upon the unit price bid for the work.

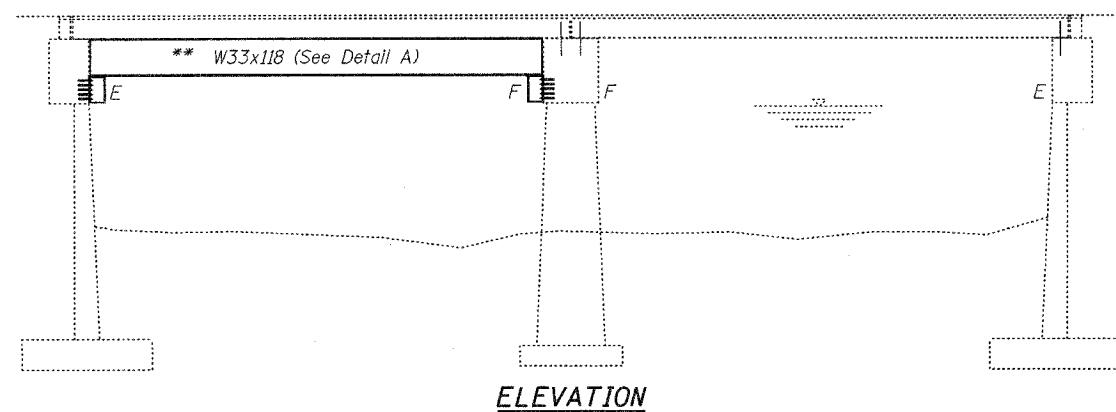
See Section 584 of the Standard Specifications for Epoxy Grouting of Threaded Rods.

The cost of epoxy grouting threaded rods shall be included with Furnishing and Erecting Structural Steel.

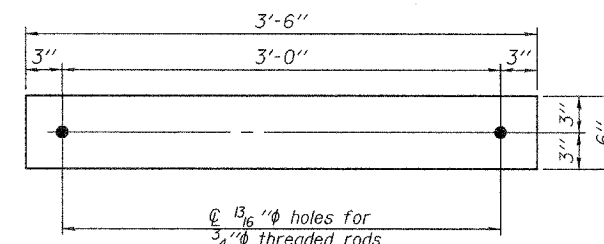
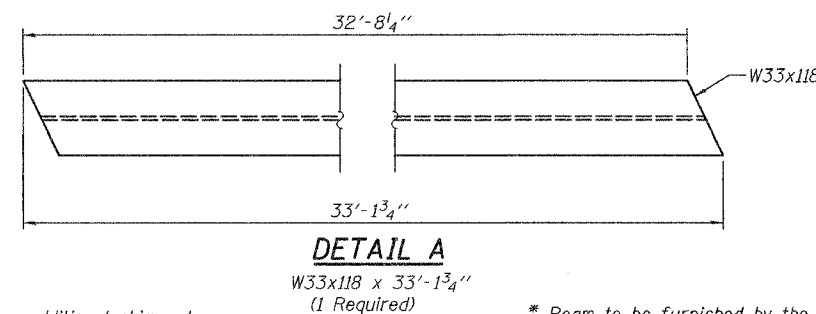
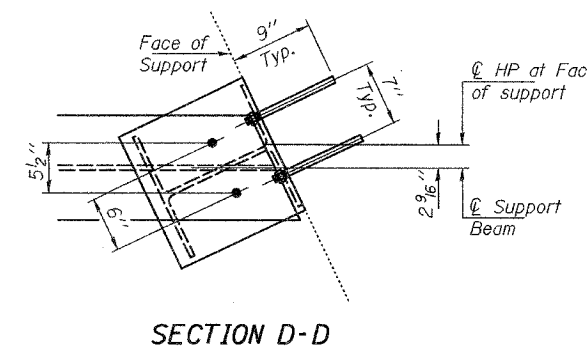
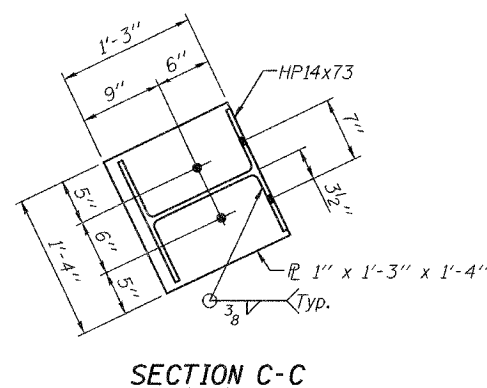
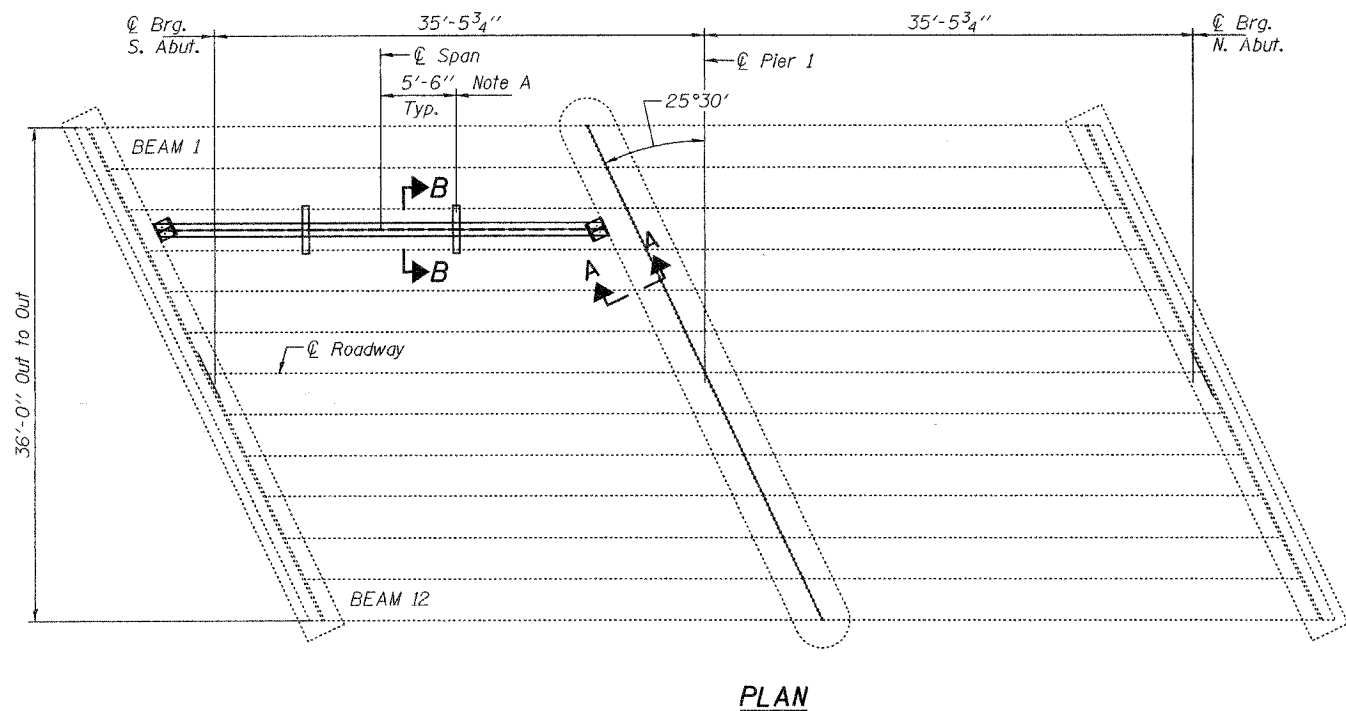
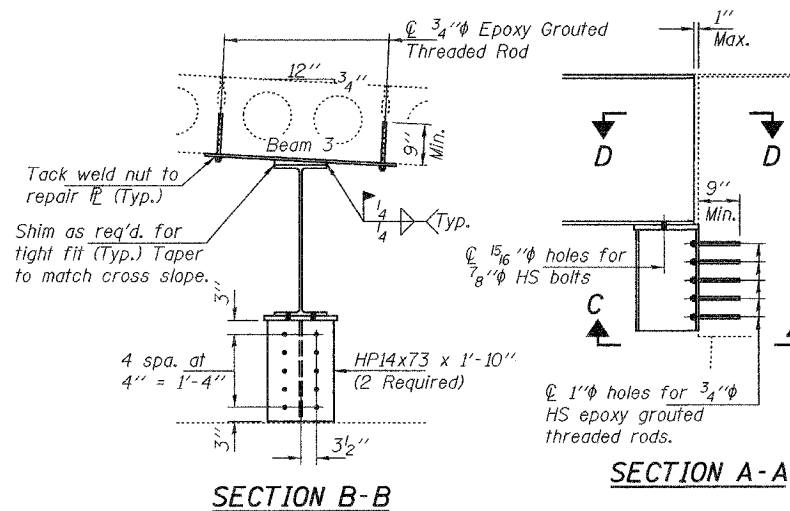
The Contractor has the option of using used steel. See special provisions.

The contractor is advised that the existing PPC Deck Beams are in a deteriorated condition with reduced load carrying capacity. It is the contractor's responsibility to account for the condition of the beams when developing construction procedures.

If the contractor's procedure for placement of beams involves placement of cranes or other heavy equipment on the bridge, a detailed procedure shall be submitted to the Engineer for approval. The procedure shall include calculations, prepared and sealed by an Illinois Licensed Structural Engineer, verifying that the equipment and procedure used will not overstress the existing beams. To distribute load to multiple beams and protect the existing surface, in all cases a double layer mat of heavy timbers shall be used at all times under crane tracks or wheels and any outriggers in the down position. If necessary, shims shall be used under the crane mat to ensure uniform contact with the underlying beams.



** To be installed prior to switching traffic over for Stage I.



TOTAL BILL OF MATERIAL

ITEM	UNIT	QUANTITY
* Furnishing and Erecting Structural Steel	Pound	4420

REPAIR DETAILS

FAP 304 OVER CRAWFORD CREEK

CALHOUN COUNTY

SN 007-0004 (EXISTING)

SN 007-0027 (PROPOSED)

DESIGNED	Victor H. Veliz
CHECKED	Kevin Baliva
DRAWN	baliva
CHECKED	VHV

MAY 6, 2008
EXAMINED
PASSED



Note A:
Transverse tie plates. Place additional shims at midpoints between tie plates. Securely weld shims to top flange of support beam. Minimum shim size is 6" x flange width.

* Beam to be furnished by the District. See Special Provisions.

Expires: November 30, 2008