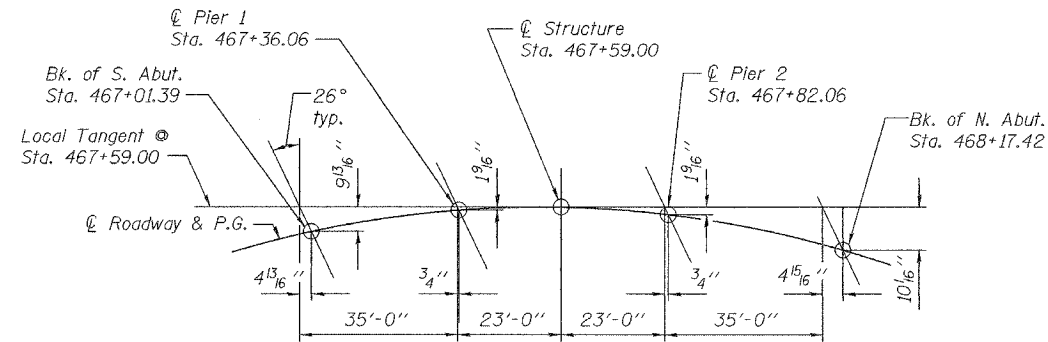


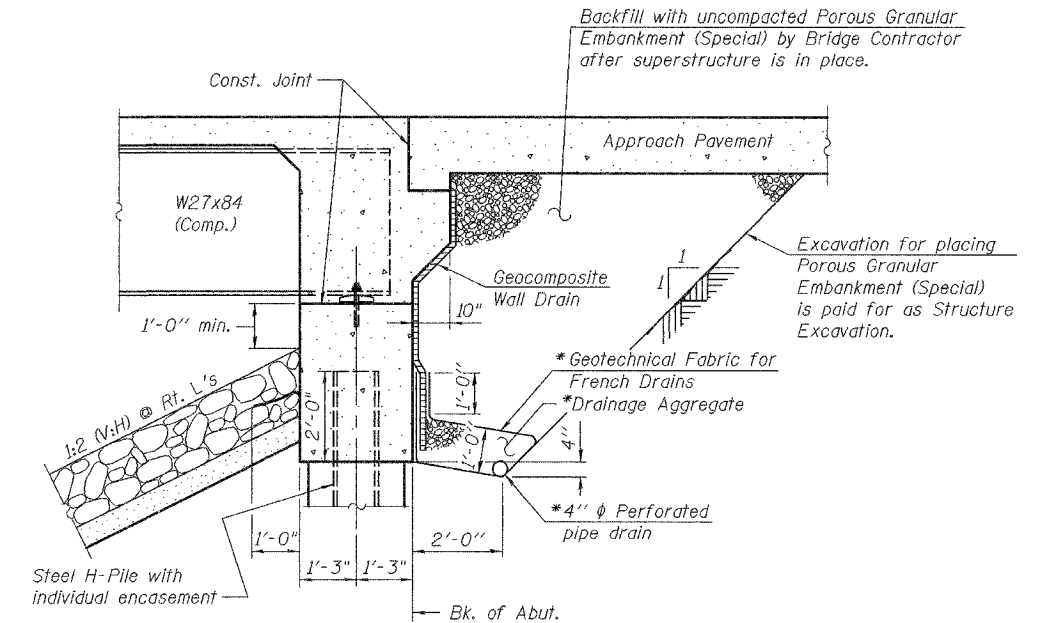
STATE OF ILLINOIS
DEPARTMENT OF TRANSPORTATION

| | | | | | |
|-----------------------|----------|------------------|--------------|-----------|--------------------------|
| ROUTE NO. | SECTION | COUNTY | TOTAL SHEETS | SHEET NO. | SHEET NO. 3 28 SHEETS |
| F.A.P. 304 | 5BR-2 | CALHOUN | 68 | 27 | |
| FED. ROAD DIST. NO. 7 | ILLINOIS | FED. AID PROJECT | | | |

Contract #76948



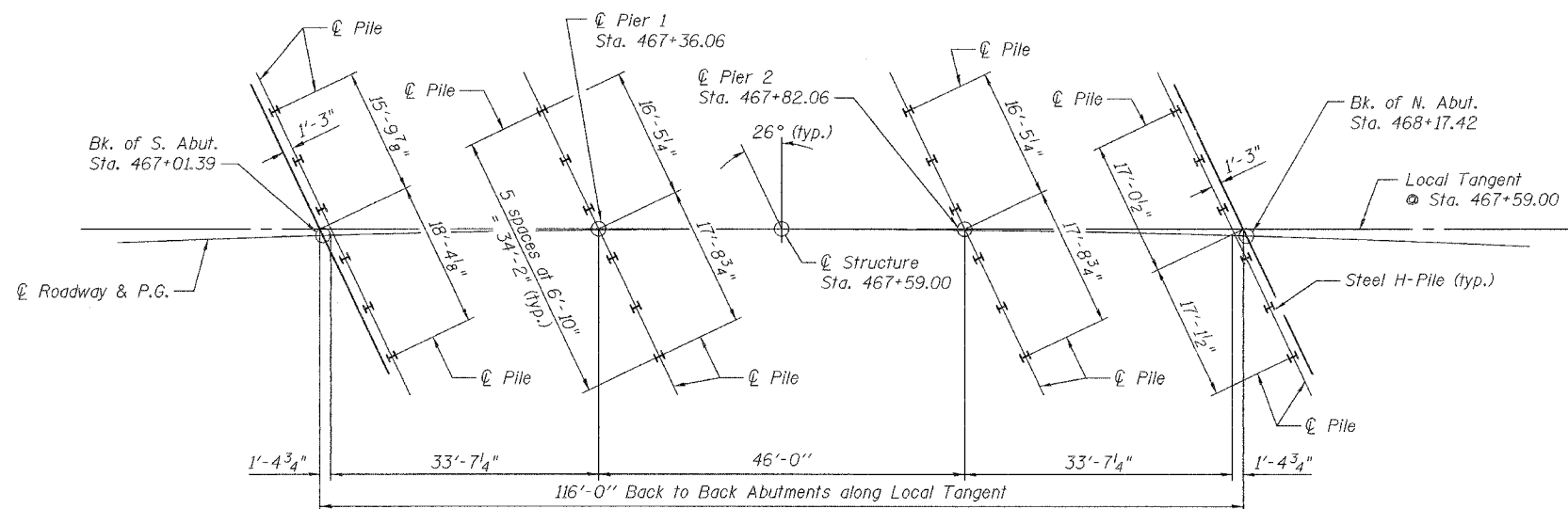
GEOMETRIC LAYOUT



SECTION THRU INTEGRAL ABUTMENT
(Horiz. dim. @ Rt. L's)

* Included in the cost of Pipe Underdrains for Structures 4".

Note:
All drainage system components shall extend to 2'-0" from the end of each wingwall except an outlet pipe shall extend until intersecting with the side slopes. The pipes shall drain into concrete headwalls. (See Article 601.05 of the Standard Specifications and Highway Standard 601101).



FOUNDATION LAYOUT

Note:
Pile encasement not shown for clarity.

| | |
|----------|-----|
| DESIGNED | YSS |
| CHECKED | RLM |
| DRAWN | PRC |
| CHECKED | RLM |



02/27/08

FOUNDATION LAYOUT
IL. ROUTE 100 OVER
CRAWFORD CREEK
F.A.P. ROUTE 304 - SECTION 5BR-2
CALHOUN COUNTY
STATION 467+59.00
STRUCTURE NO. 007-0027