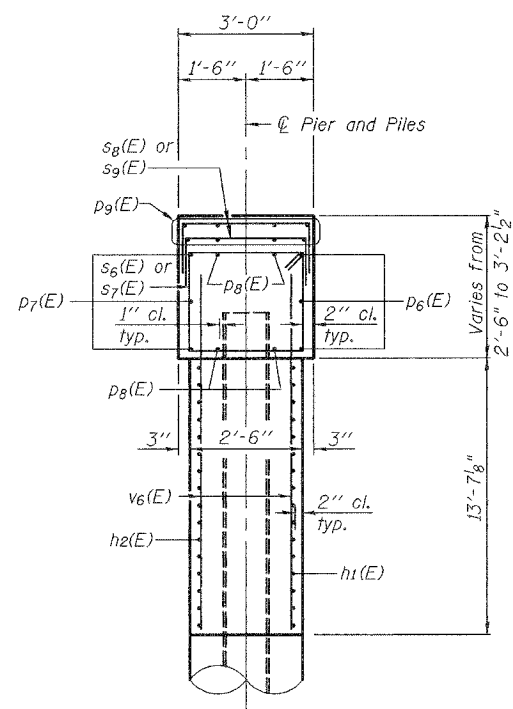


STATE OF ILLINOIS
DEPARTMENT OF TRANSPORTATION

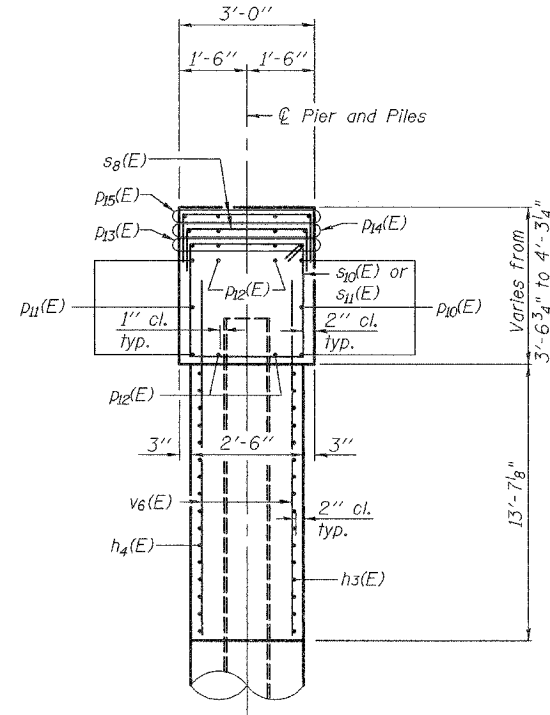
ROUTE NO.	SECTION	COUNTY	TOTAL SHEETS	SHEET NO.
F.A.P. 304	5BR-2	CALHOUN	68	46
FED. ROAD DIST. NO. 7		FED. AID PROJECT		

Contract #76948

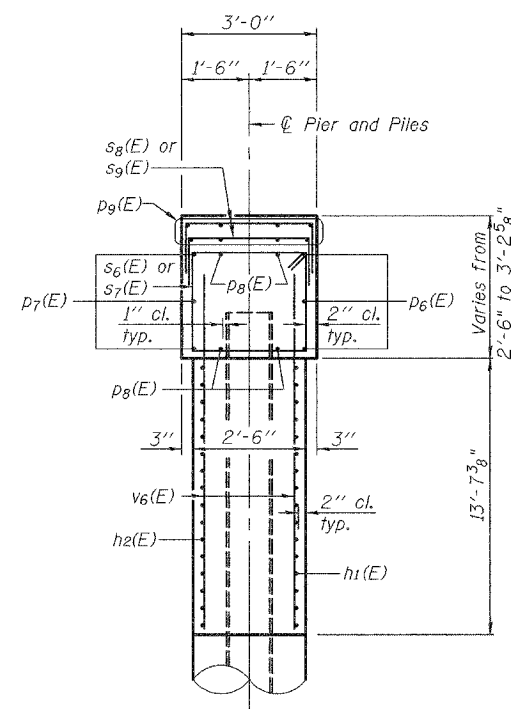
SHEET NO. 22
28 SHEETS



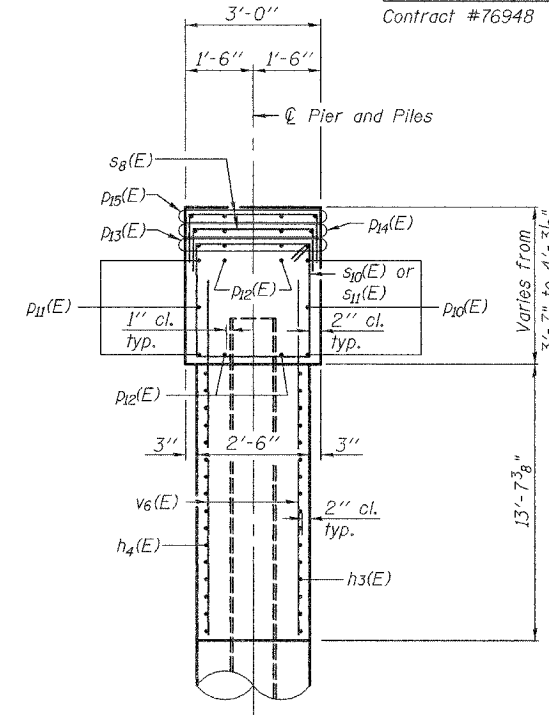
SECTION A-A



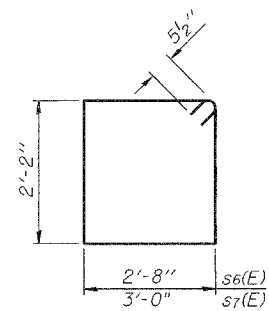
SECTION B-B



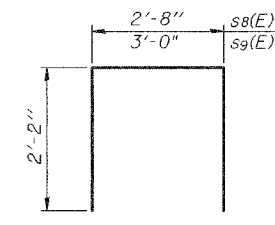
SECTION E-E



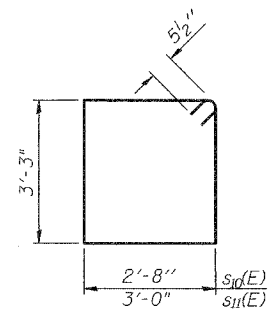
SECTION F-F



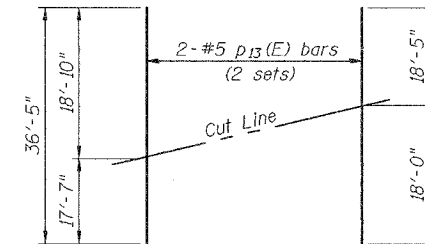
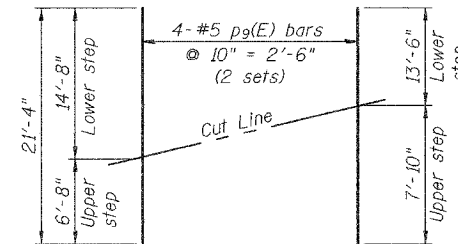
BARS s6(E) & s7(E)



BARS s8(E) & s9(E)



BARS s10(E) & s11(E)

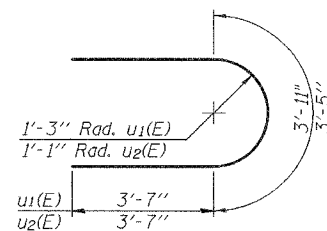


Order p9(E) full length. Cut as shown and place one set of bars as shown in Section A-A and one set of bars as shown in Section E-E (Stage I Constr.).

Order p13(E) full length. Cut as shown and place one set of bars as shown in Section B-B and one set of bars as shown in Section F-F (Stage II Constr.).

FIELD CUTTING DIAGRAM

DESIGNED	YSS
CHECKED	RLM
DRAWN	AEC
CHECKED	RLM



BARS u1(E) & u2(E)

02/27/08

MISCELLANEOUS PIER DETAILS
IL. ROUTE 100 OVER
CRAWFORD CREEK
F.A.P. ROUTE 304 - SECTION 5BR-2
CALHOUN COUNTY
STATION 467+59.00
STRUCTURE NO. 007-0027