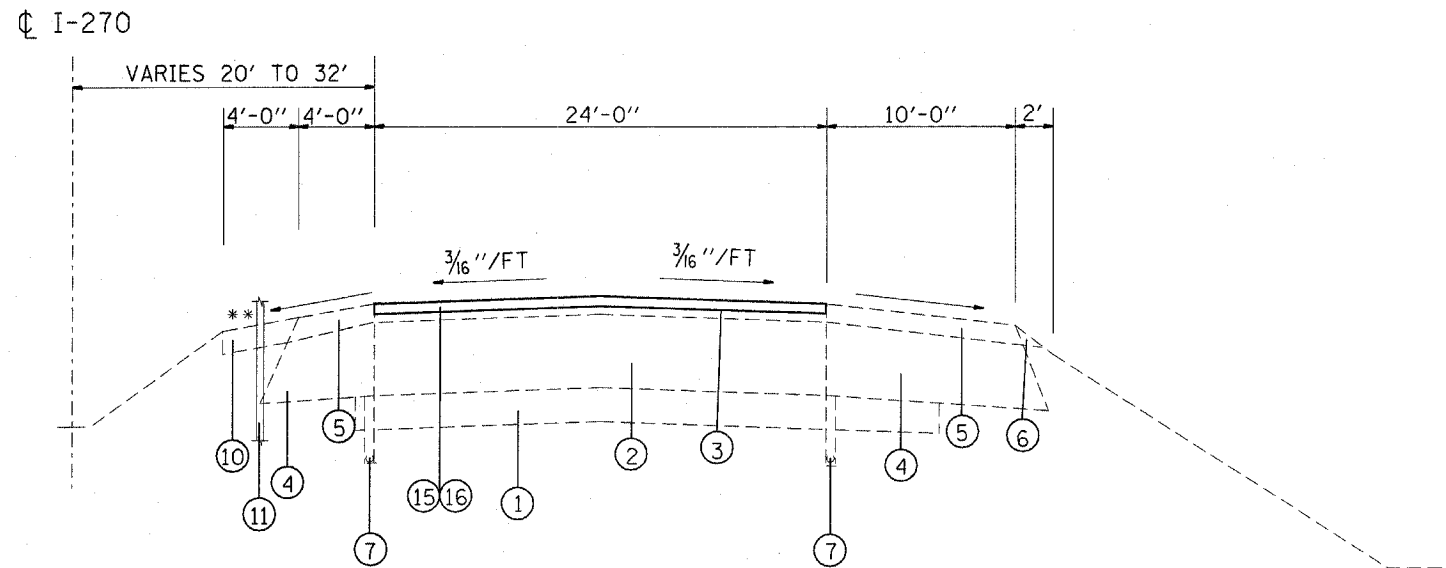


TYPICAL P
SUPERELEVATED SECTION
EASTBOUND
STA. 340+25 TO STA. 343+27



TYPICAL Q
TANGENT SECTION
EASTBOUND
STA. 343+27 TO STA. 391+50

- LEGEND
- ① EXIST. SUB-BASE GRANULAR MATERIAL
 - ② EXIST. PCC PAVEMENT, 10"
 - ③ EXIST. HOT-MIX ASPHALT OVERLAY
 - ④ EXIST. HOT-MIX ASPHALT SHOULDER
 - ⑤ EXIST. HOT-MIX ASPHALT SHOULDER OVERLAY
 - ⑥ EXIST. AGG. SHOULDER
 - ⑦ EXIST. UNDERDRAIN
 - ⑧ EXIST. CONC. BARRIER
 - ⑨ EXIST. LEVELING BINDER (MACHINE METHOD), VAR. DEPTH
 - ⑩ EXIST. HOT-MIX ASPHALT SHOULDER, 4" (MOW STRIP)
 - ⑪ EXIST. HIGH TENSION CABLE MEDIAN BARRIER
 - ⑫ EXIST. PCC BASE COURSE WIDENING, 12"
 - ⑬ EXIST. STABILIZED SUB-BASE, 4"
 - ⑭ EXIST. JOINTED PCC PAVEMENT
 - ⑮ PROPOSED HOT-MIX ASPHALT SURFACE REMOVAL, 2 1/2"
 - ⑯ PROPOSED POLYMERIZED HOT-MIX ASPHALT SURFACE COURSE
 - ⑰ PROPOSED HOT-MIX ASPHALT SHOULDERS

** LOCATION OF HTC AND MOW STRIP VARIES BETWEEN EB AND WB LANES.

| | | | | | | | | | | | | | |
|---|---------------------|------------|-----------|---|---|--|--|--|--------------------|------------------|---------|--------------|-----------|
| FILE NAME = | USER NAME = a1fordb | DESIGNED - | REVISED - | STATE OF ILLINOIS DEPARTMENT OF TRANSPORTATION | TYPICAL SECTIONS | | | | F.A.I. RTE. | SECTION | COUNTY | TOTAL SHEETS | SHEET NO. |
| ci:\projects\ed06207\plan\pln06207a.dgn | | DRAWN - | REVISED - | | | | | | 270 | 60-(1,2,3,4)RS-2 | MADISON | 193 | 14 |
| PLOT SCALE = 50.0000' / IN. | | CHECKED - | REVISED - | | SCALE: SHEET NO. OF SHEETS STA. TO STA. | | | | CONTRACT NO. 76A90 | | | | |
| PLOT DATE = 4/24/2008 | | DATE - | REVISED - | | FED. ROAD DIST. NO. ILLINOIS FED. AID PROJECT | | | | | | | | |