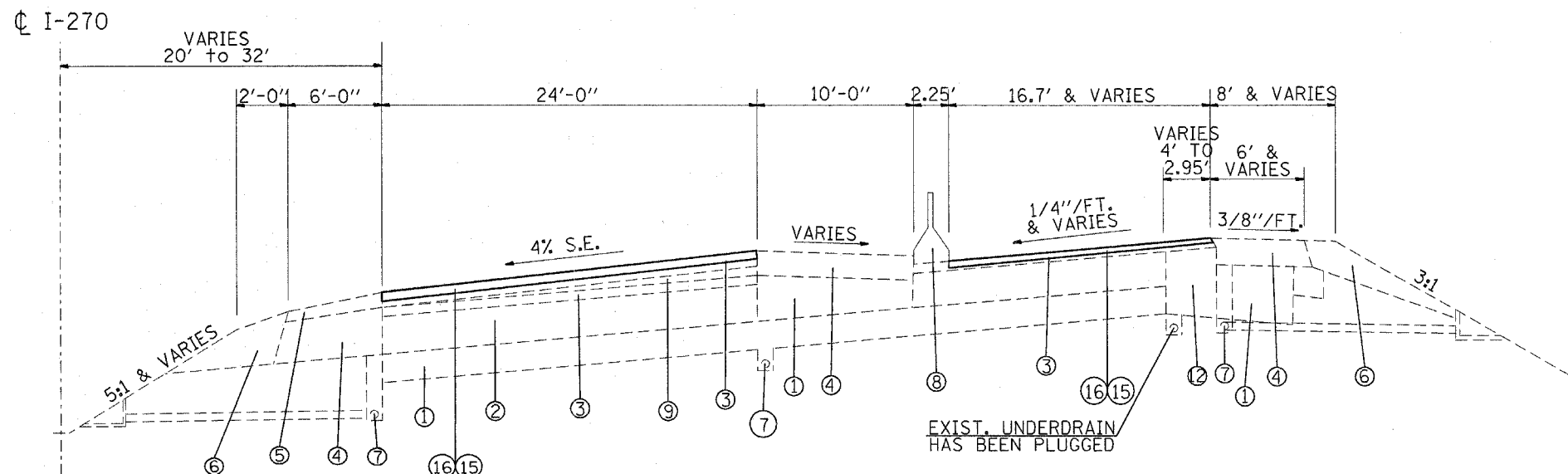


TYPICAL O
 SUPERELEVATED SECTION
 WESTBOUND @ ENGINEER ROAD
 STA. 329+00 TO STA. 345+00



TYPICAL N
 SUPERELEVATED SECTION
 EASTBOUND I-270 @ ENGINEER ROAD
 STA. 329+00 TO STA. 340+25

- LEGEND
- ① EXIST. SUB-BASE GRANULAR MATERIAL
 - ② EXIST. PCC PAVEMENT, 10"
 - ③ EXIST. HOT-MIX ASPHALT OVERLAY
 - ④ EXIST. HOT-MIX ASPHALT SHOULDER
 - ⑤ EXIST. HOT-MIX ASPHALT SHOULDER OVERLAY
 - ⑥ EXIST. AGG. SHOULDER
 - ⑦ EXIST. UNDERDRAIN
 - ⑧ EXIST. CONC. BARRIER
 - ⑨ EXIST. LEVELING BINDER (MACHINE METHOD), VAR. DEPTH
 - ⑩ EXIST. HOT-MIX ASPHALT SHOULDER, 4" (MOW STRIP)
 - ⑪ EXIST. HIGH TENSION CABLE MEDIAN BARRIER
 - ⑫ EXIST. PCC BASE COURSE WIDENING, 12"
 - ⑬ EXIST. STABILIZED SUB-BASE, 4"
 - ⑭ EXIST. JOINTED PCC PAVEMENT
 - ⑮ PROPOSED HOT-MIX ASPHALT SURFACE REMOVAL, 2 1/2"
 - ⑯ PROPOSED POLYMERIZED HOT-MIX ASPHALT SURFACE COURSE
 - ⑰ PROPOSED HOT-MIX ASPHALT SHOULDERS

** LOCATION OF HTC AND MOW STRIP VARIES BETWEEN EB AND WB LANES.

FILE NAME = c:\projects\ed06207\plan\p1n002070.dgn	USER NAME = e1fordb	DESIGNED -	REVISED -	STATE OF ILLINOIS DEPARTMENT OF TRANSPORTATION	TYPICAL SECTIONS				F.A.I. RTE. 270	SECTION 60-(1,2,3,4)RS-2	COUNTY MADISON	TOTAL SHEETS 193	SHEET NO. 18
	PLOT SCALE = 5/8" = 1' IN.	DRAWN -	REVISED -		SCALE:	SHEET NO.	OF	SHEETS	STA.	TO STA.	CONTRACT NO. 76A90		
	PLOT DATE = 4/24/2009	CHECKED -	REVISED -		FED. ROAD DIST. NO. [ILLINOIS] FED. AID PROJECT								
		DATE -	REVISED -										