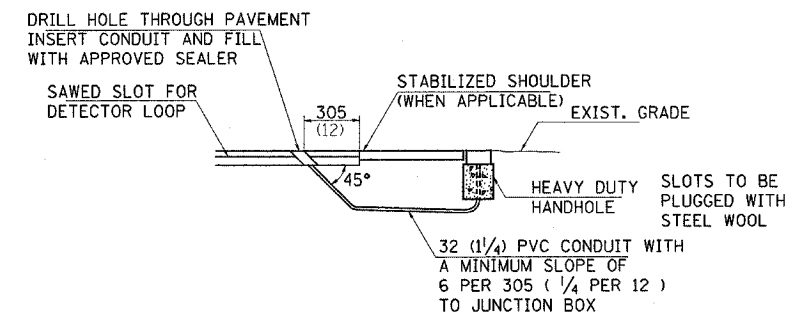
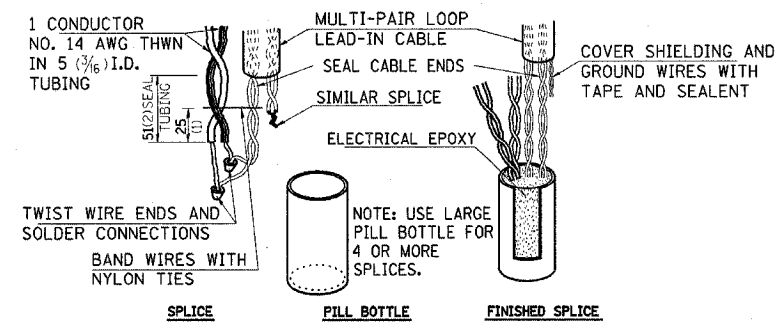


PHENOLIC PLATE, TERMINAL STRIPS & BNC CONNECTORS IN CABINET



DETECTOR LOOP LEAD-IN DETAIL

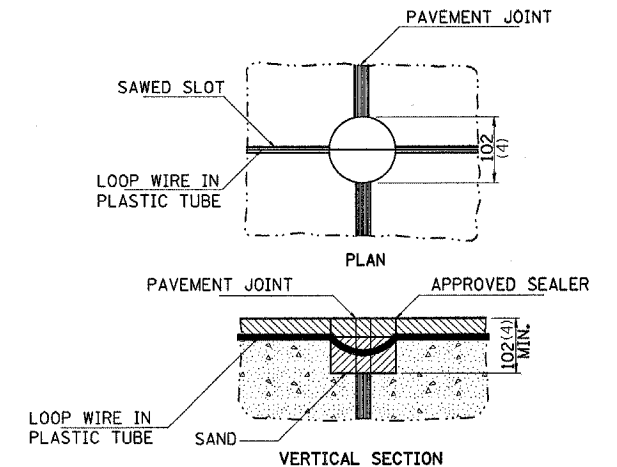


BOTTLE SPLICE DETAIL

NOTES:

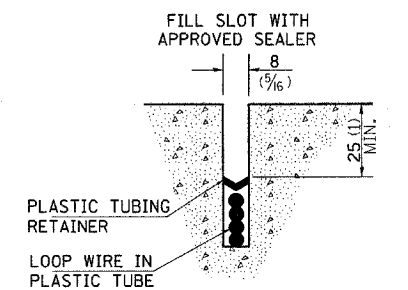
- 1) ONE SURGE PROTECTOR FOR EACH LOOP
SOURCE: SURRESTOR - PART NO. SRA-16 / 8 REQUIRED
- 2) TERMINAL STRIPS SHALL BE MOUNTED ON ALUMINUM PLATE
- 3) ALL CONNECTIONS MUST BE INSULATED FROM EACH OTHER
- 4) PIEZO CONNECTIONS AND TERMINAL STRIPS SHALL BE LABELED AS SHOWN

CONTACT RAMON TAYLOR OF OP&P AT 217-782-2065 BEFORE PIEZO INSTALLATION AND LAYOUT OF DIVE HOLES.



NOTE: LOOP WIRE MUST FOLLOW SAW CUT TO BOTTOM, FORMING SLACK SECTION AT JOINT.

DETECTOR LOOP DETAIL AT PAVEMENT JOINT OR PAVEMENT CRACK



LOOP IN PAVEMENT DETECTOR LOOP INSTALLATION

NOTE: NOT TO SCALE
ALL DIMENSIONS ARE IN MILLIMETERS (INCHES) UNLESS OTHERWISE SHOWN.

FILE NAME =	USER NAME = alforda	DESIGNED -	REVISED -
ct:\proj\jota\ad08207\plan\pmk08207a.dgn		DRAWN -	REVISED -
PLOT SCALE = 50:0000' / IN.		CHECKED -	REVISED -
PLOT DATE = 4/23/2008		DATE -	REVISED -

STATE OF ILLINOIS
DEPARTMENT OF TRANSPORTATION

TRAFFIC COUNTER DETAILS

SCALE: SHEET NO. OF SHEETS STA. TO STA.

F.A.I. RTE.	SECTION	COUNTY	TOTAL SHEETS	SHEET NO.
270	60-(1,2,3,4RS-2)	MADISON	193	160
CONTRACT NO. 76A90				
FED. ROAD DIST. NO. ILLINOIS FED. AID PROJECT				