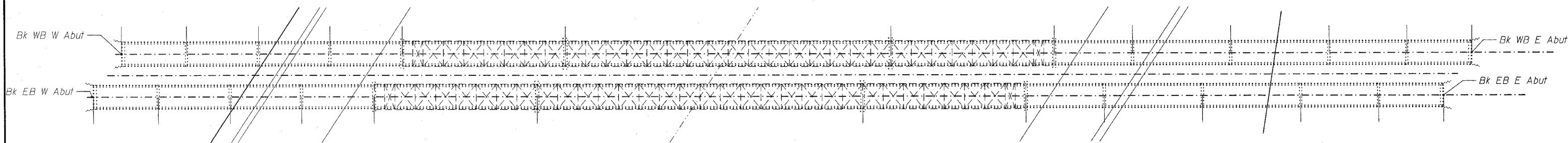
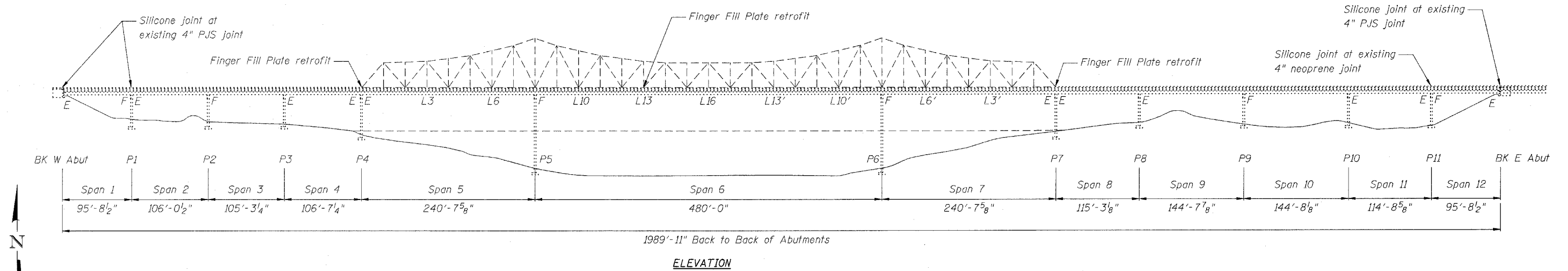


STATE OF ILLINOIS
DEPARTMENT OF TRANSPORTATION

ROUTE NO.	SECTION	COUNTY	TOTAL SHEETS	SHEET NO.
FAI 270	*	MADISON		193
FED. ROAD DIST. NO. 7	ILLINOIS	FED. AID PROJECT-		

* 60-(1,2,3,4)RS-2
Contract # 76A90



GENERAL NOTES

Plan dimensions and details relative to existing plans are subject to routine variations. The Contractor shall field verify existing dimensions and details affecting new construction and make necessary approved adjustments prior to construction or ordering of materials. Such variations shall not be cause for additional compensation for a change in scope of the work, however, the Contractor will be paid for the quantity actually furnished based upon the unit price bid for the work.

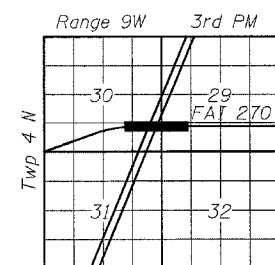
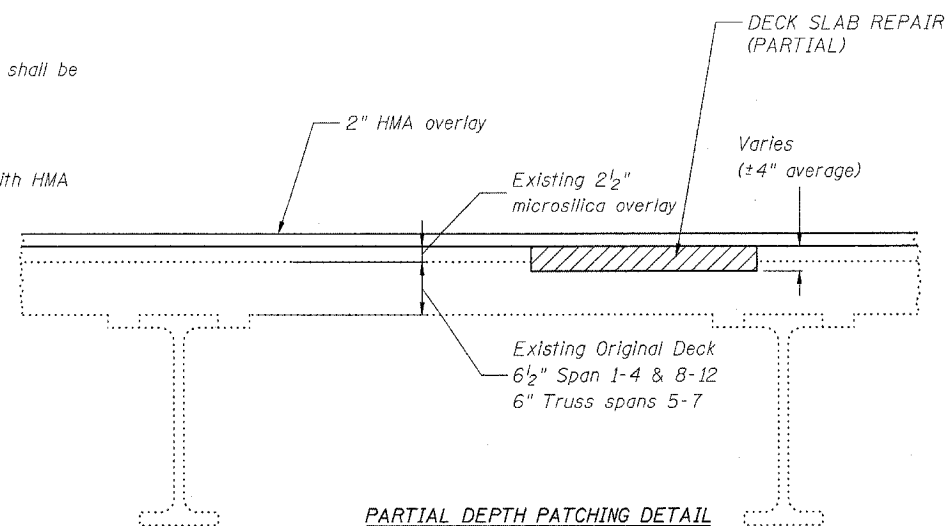
This project shall utilize stage construction with a minimum lane width of 13' on the bridge deck. All lanes shall be kept open during peak hours. See special provisions.

The quantity for partial depth patching assumes 20 patches per lane. A deck survey was not performed.

The contractor shall remove all loose concrete along the curbs. The cost for this work shall be included with HMA SURFACE COURSE.

The cost of removing the existing neoprene blocks at pier 11 is included with the cost of POLYMER CONCRETE.

DESIGNED JAU	200
CHECKED B JW	EXAMINED
DRAWN JAU	ENGINEER OF BRIDGE DESIGN
CHECKED B JW	PASSED
	ENGINEER OF BRIDGES AND STRUCTURES



TOTAL BILL OF MATERIAL

ITEM	UNIT	TOTAL
Polymer Concrete	Cu Ft	30.3
Silicone Joint Sealer, 3"	Foot	292.0
Deck Slab Repair (Partial)	Sq Yd	80.0
Furnishing and Erecting Structural Steel	pound	31798
HMA Surface Course, Mix "D", N90	Ton	1476

GENERAL PLAN & ELEVATION
I-270 OVER CHAIN OF ROCKS CANAL
FAI 270 SEC 60-(1,2,3,4)RS-2
MADISON COUNTY
STRUCTURE NO. 060-0036 & 0037